

- **Operating Instructions**
- **Warning Information**
- **Parts Breakdown**



!WARNING

Some dust created by power sanding, sawing, grinding, drilling, and other construction activities contains chemicals known to cause cancer, birth defects or other reproductive harm. Some examples of these chemicals are:

- lead from lead-based paints,
- crystalline silica from bricks and cement and other masonry products, and
- arsenic and chromium from chemically-treated lumber.

Your risk from these exposures varies, depending on how often you do this type of work. To reduce your exposure to these chemicals: work in a well ventilated area, and work with approved safety equipment, such as those dust masks that are specially designed to filter out microscopic particles.

!WARNING



ALWAYS READ INSTRUCTIONS BEFORE USING POWER TOOLS



ALWAYS WEAR SAFETY GOGGLES



WEAR HEARING PROTECTION



AVOID PROLONGED EXPOSURE TO VIBRATION

SPECIFICATIONS

| | |
|-------------------------------|----------------|
| Working Torque | 10-60 ft. lbs. |
| Ultimate Torque by Hand | .70 ft. lbs. |
| Capacity (Standard Bolt Size) | .3/8" |
| Net Weight | 2.42 lbs. |
| Overall Length | 11.42" |
| Air Consumption | .4 cfm |
| Air Inlet | .1/4" NPT |
| Recommended Hose Size | .3/8" |

CAT-5000HD

3/8" SUPER DUTY AIR RATCHET

!WARNING

FAILURE TO OBSERVE THESE WARNINGS COULD RESULT IN INJURY.

This Instruction Manual Contains Important Safety Information.



Read THIS INSTRUCTION MANUAL Carefully and understand ALL INFORMATION Before Operating THIS Tool.

- Always operate, inspect and maintain this tool in accordance with American National Standards Institute Safety Code of Portable Air Tools (ANSI B186.1) and any other applicable safety codes and regulations.



- For safety, top performance and maximum durability of parts, operate this tool at 90 psig 6.2 bar max air pressure with 3/8" diameter air supply hose.

- Always wear impact-resistant eye and face protection when operating or performing maintenance on this tool. Always wear hearing protection when using this tool.



- High sound levels can cause permanent hearing loss. Use hearing protection as recommended by your employer or OSHA regulation.

- Keep the tool in efficient operating condition.
- Operators and maintenance personnel must be physically able to handle the bulk, weight and power of this tool.



- Air under pressure can cause severe injury. Never direct air at yourself or others. Always turn off the air supply, drain hose of air pressure and detach tool from air supply before installing, removing or adjusting any accessory on this tool, or before performing any maintenance on this tool. Failure to do so could result in injury. Whip hoses can cause serious injury. Always check for damaged, frayed or loose hoses and fittings, and replace immediately. Do not use quick detach couplings at tool. See instructions for correct set-up.



- Air powered tools can vibrate in use. Vibration, repetitive motions or uncom-

fortable positions over extended periods of time may be harmful to your hands and arms. Discontinue use of tool if discomfort, tingling feeling or pain occurs. Seek medical advice before resuming use.

- Place the tool on the work before starting the tool. Do not point or indulge in any horseplay with this tool.
- Slipping, tripping and/or falling while operating air tools can be a major cause of serious injury or death. Be aware of excess hose left on the walking or work surface.
- Keep body working stance balanced and firm. Do not overreach when operating the tool.

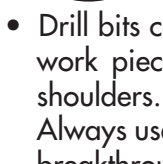


- Anticipate and be alert for sudden changes in motion during start up and operation of any power tool.

- Do not carry tool by the hose. Protect the hose from sharp objects and heat.

- Tool shaft may continue to rotate briefly after throttle is released. Avoid direct contact with accessories during and after use. Gloves will reduce the risk of cuts or burns.

- Keep away from rotating end of tool. Do not wear jewelry or loose clothing. Secure long hair. Scalping can occur if hair is not kept away from tool and accessories. Choking can occur if neckwear is not kept away from tool and accessories.

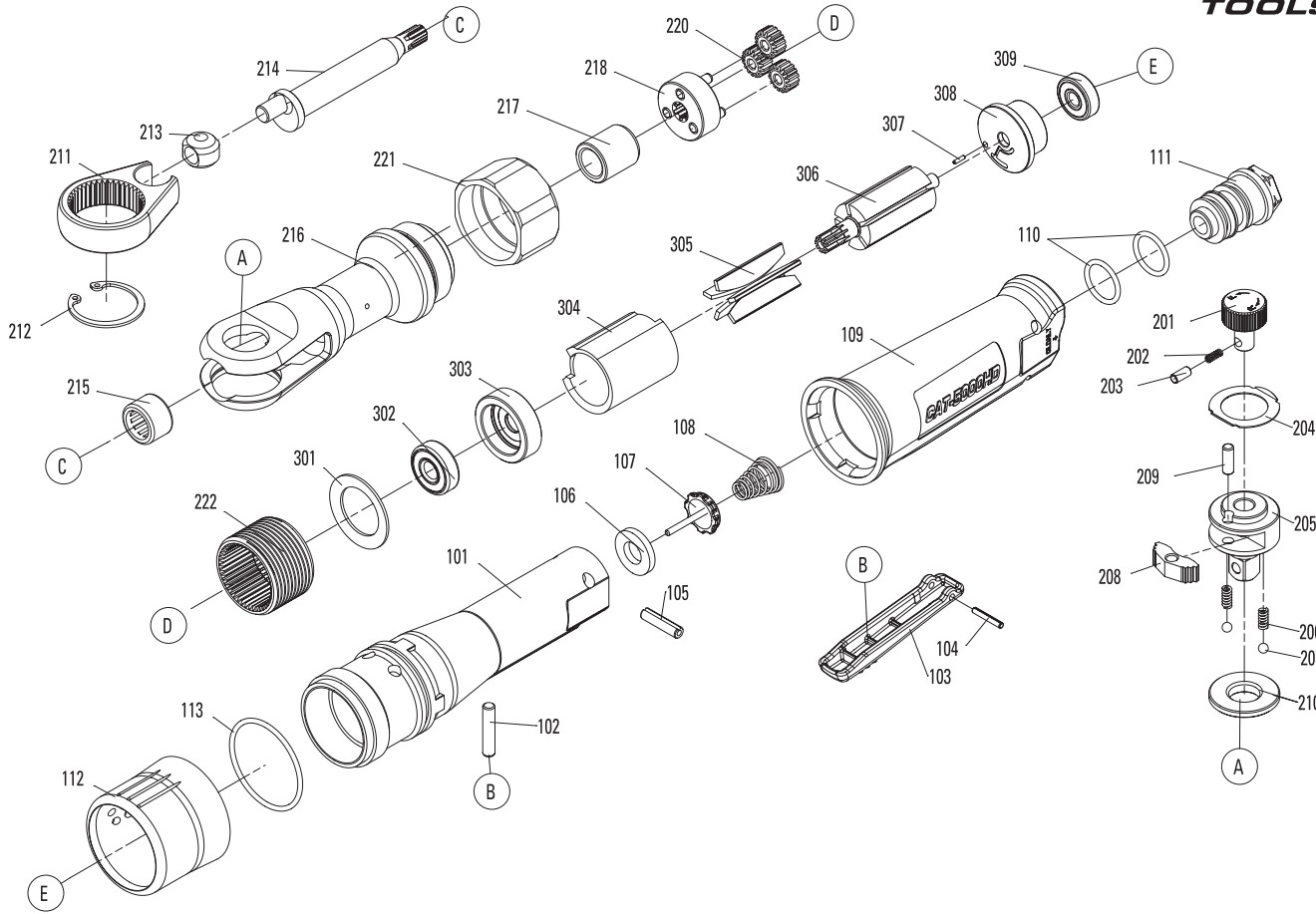


- Drill bits can bind suddenly and cause rotation of the work piece or tool, causing injury to arms and/or shoulders. Enough torque is generated to cause falls. Always use sharp bits. Use less downward pressure at breakthrough.

- Do not lubricate tools with flammable or volatile liquids such as kerosene, diesel or jet fuel.
- Do not force tool beyond its rated capacity.
- Do not remove any labels. Replace any damaged labels.
- Use accessories recommended by Cornwell Tools.

CAT-5000HD

SUPER DUTY 3/8" AIR RATCHET

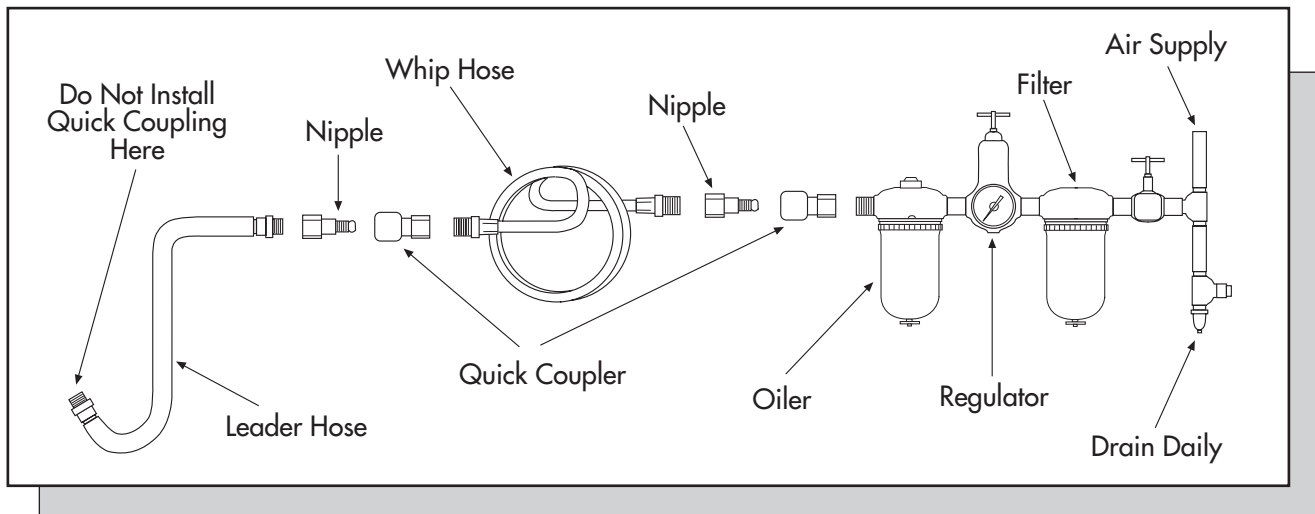


| Index # | Part # | Description | Qty. |
|---------|-------------|----------------------|------|
| 101 | RS5000HD101 | Motor Housing | 1 |
| 102 | RS5000HD102 | Valve Pin | 1 |
| 103 | RS5000HD103 | Throttle Lever | 1 |
| 104 | RS1734308 | Throttle Lever Pin | 1 |
| 105 | RS5000HD105 | Housing Pin | 1 |
| 106 | RS5000HD106 | Seal | 1 |
| 107 | RS5000HD107 | Tip Valve | 1 |
| 108 | RS5000HD108 | Conical Spring | 1 |
| 109 | RS5000HD109 | Housing Grip | 1 |
| 110 | RS5000HD110 | O-Ring | 2 |
| 111 | RS5000HD111 | Inlet Bushing | 1 |
| 112 | RS5000HD112 | Outlet Controller | 1 |
| 113 | RS5000HD113 | O-Ring | 1 |
| 201 | * | Reverse Lever | 1 |
| 202 | * | Reverse Spring | 1 |
| 203 | * | Reverse Pin | 1 |
| 204 | * | Anvil Washer | 1 |
| 205 | * | Anvil | 1 |
| 206 | * | Thrust Washer Spring | 2 |
| 207 | * | Steel Ball | 2 |
| 208 | * | Ratchet Pawl | 1 |
| 209 | * | Dowel Pin | 1 |

| Index # | Part # | Description | Qty. |
|---------|-------------|----------------------|------|
| 210 | * | Thrust Washer | 1 |
| 211 | RS5000HD211 | Yoke | 1 |
| 212 | * | Retaining Ring | 1 |
| 213 | RS5000HD213 | Drive Bushing | 1 |
| 214 | RS5000HD214 | Crank Shaft | 1 |
| 215 | RS5000HD215 | Needle Bearing | 1 |
| 216 | RS5000HD216 | Ratchet Housing | 1 |
| 217 | RS5000HD217 | Bushing | 1 |
| 218 | RS5000HD218 | Planet Cage Assembly | 1 |
| 220 | RS5000HD220 | Planet Gear | 3 |
| 221 | RS5000HD221 | Lock Ring | 1 |
| 222 | RS5000HD222 | Internal Gear | 1 |
| 301 | RS5000HD301 | Lock Washer | 1 |
| 302 | RS30524 | Ball Bearing | 1 |
| 303 | RS5000HD303 | Front Plate | 1 |
| 304 | RS5000HD304 | Cylinder | 1 |
| 305 | RS5000HD305 | Blade | 5 |
| 306 | RS5000HD306 | Rotor | 1 |
| 307 | RS5000HD307 | Roll Pin | 1 |
| 308 | RS5000HD308 | Rear Plate | 1 |
| 309 | RS21114 | Ball Bearing | 1 |

* Available only in head kit, Part #RHK5000

Operating Instructions • Warning Information • Parts Breakdown



Air Supply...

Tools of this class operate on a wide range of air pressures. It is recommended that air pressure of these tools measures 90 PSI at the tool while running free. Higher pressure (over 90 psig; 6.2 bar) raises performance beyond the rated capacity of the tool which will shorten tool life because of faster wear and could cause injury.

Always use clean, dry air. Dust, corrosive fumes and/or water in the air line will cause damage to the tool. Drain the air tank daily. Clean the air inlet filter screen on at least a weekly schedule. The recommended hookup procedure can be viewed in the above figure.

The air inlet used for connecting air supply, has standard 1/4" NPT. Line pressure should be increased to compensate for unusually long air hoses (over 25 feet). Minimum hose diameter should be 3/8" I.D. and fittings should have the same inside dimensions and be tightly secured.

Operation...

This ratchet wrench is rated at 3/8" USS bolt size. Rating must be down graded for spring U bolts, tie bolts, long cap screws, double depth nuts, badly rusted conditions and spring fasteners as they absorb much of the impact power. When possible, clamp or wedge the bolt to prevent springback.

Soak rusted nuts in penetrating oil and break rust seal before removing with impact wrench. If nut does not start to move in three to five seconds use a larger size impact wrench. Do not use impact wrench beyond rated capacity as this will drastically reduce tool life.

The forward/reversing button is used to change the rotation of the tool. When the button is set to the right, the tool will turn in a right hand rotation. When the button is set to the left, the tool will turn in a left hand rotation.

NOTE: Actual torque on a fastener is directly related to joint hardness, tool speed, condition of socket and the time the tool is allowed to impact.

Use the simplest possible tool-to-socket hookup. Every connection absorbs energy and reduces power.

Troubleshooting...

Other factors outside the tool may cause loss of power or erratic action. Reduced compressor output, excessive drain on the air line, moisture or restrictions in air pipes or the use of hose connections of improper size or poor conditions may reduce air supply. Grit or gum deposits in the tool may cut power and may be corrected by cleaning the air strainer and flushing out the tool with gum solvent oil or an equal mixture of SAE #10 and kerosene. If outside conditions are in order and the tool continues to perform erratically, disconnect tool from hose and take tool to your nearest authorized service center.

Lubrication...

Lubricate the air motor daily with quality air tool oil. If no air line oiler is used, run a teaspoon of oil through the tool. The oil can be squirted into the tool air inlet or into the hose at the nearest connection to the air supply, then run the tool. The amount of oil to be used is 1 ounce. Overfilling will cause a reduction in the power of the tool.

Cornwell Tools™ 1 Year Limited Warranty for Air Tools

Cornwell Tools warrants its air tools for a period of 1 year to the consumer. We will repair any air tool covered under this warranty which proves to be defective in material or workmanship during the warranty period. In order to have your tool repaired, return the tool to any Cornwell Tools Authorized Warranty Center, freight prepaid. Please include a copy of your proof of purchase and a brief description of the problem. The tool will be inspected and if any part or parts are found to be defective in material or workmanship, they will be repaired free of charge and the repaired tool will be returned to you freight prepaid.

This warranty gives you specific rights. You may also have other rights which vary from state to state.

The foregoing obligation is Cornwell Tools' sole liability under this or any implied warranty and under no circumstances shall Cornwell Tools be liable for any incidental or consequential damages.

Note: Some states do not allow the exclusion or limitation of incidental or consequential damages so the above limitation or exclusion may not apply to you.