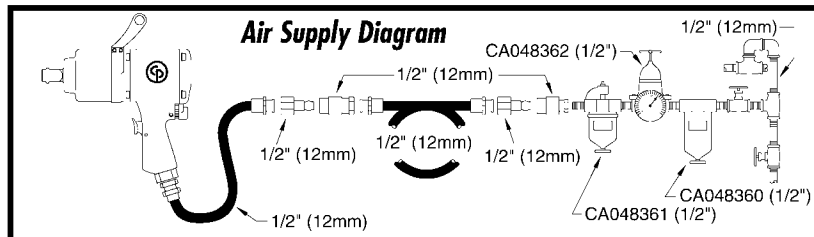
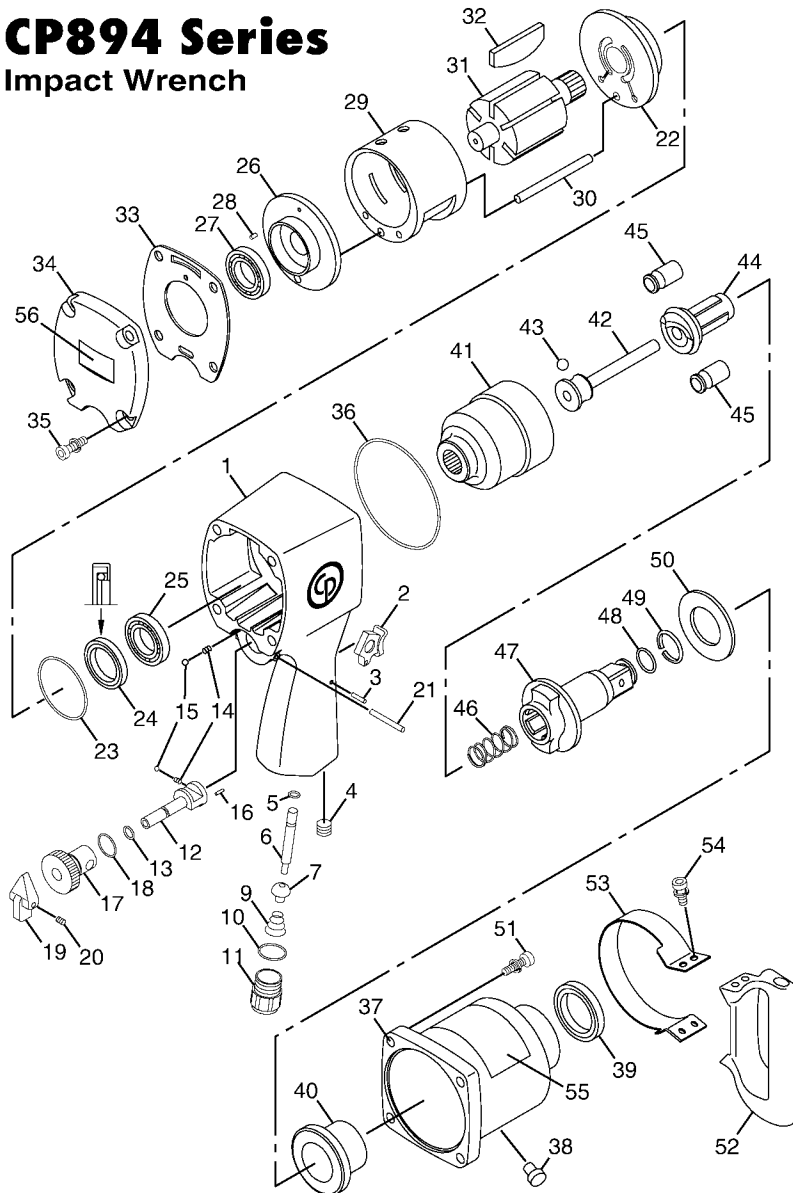


CP894 Series Impact Wrench



| Index No. | Part No. | Description | No. Req'd. |
|-----------|----------|---------------------------|------------|
| 1 | CA154884 | Housing-Motor | 1 |
| 2 | CA146650 | Trigger | 1 |
| 3 | CA146651 | Pin-Roll | 1 |
| 4 | C068799 | Plug-Pipe (.25 NPT) | 1 |
| 5 | CA146652 | O-Ring (W1516-1) | 1 |
| 6 | CA156918 | Pin-Valve | 1 |
| 7 | CA156919 | Ball-Valve | 1 |
| 9 | CA154873 | Spring-Throttle | 1 |
| 10 | CA154874 | O-Ring (W1516-14) | 1 |
| 11 | CA154875 | Bushing-Air Inlet | 1 |
| 12 | CA146775 | Valve-Reverse | 1 |
| 13 | CA146659 | O-Ring (W1516-5) | 1 |
| 14 | CA146660 | Spring | 2 |
| 15 | KF124396 | Ball-Steel (4 mm dia.) | 2 |
| 16 | CA146698 | Pin-Roll (2.5x8) | 1 |
| 17 | CA146661 | Regulator-Air | 1 |
| 18 | CA146662 | O-Ring (W1516-12) | 1 |
| 19 | CA146663 | Lever-Reverse | 1 |
| 20 | S007708 | Screw-Set | 1 |
| 21 | CA146665 | Pin-Roll (4x40) | 1 |
| 22 | CA154876 | Plate-Front End | 1 |
| 23 | CA146667 | O-Ring (W1517-6) | 1 |
| 24 | CA146668 | Seal-Oil | 1 |
| 25 | CA146669 | Bearing-Ball (6205Z) | 1 |
| 26 | CA154877 | Plate-Rear End | 1 |
| 27 | CA146671 | Bearing-Ball (6204) | 1 |
| 28 | CA146672 | Pin-Roll (4x8) | 1 |
| 29 | CA154878 | Liner | 1 |
| 30 | CA156929 | Pin-Guide | 1 |
| 31 | CA154879 | Rotor | 1 |
| 32 | CA154880 | Set-Rotor Blade (6) | 1 |
| 33 | CA146677 | Gasket-Back Cover | 1 |
| 34 | CA155205 | Cover-Motor Housing | 1 |
| 35 | CA157414 | Screw (MB-1.25P) w/washer | 4 |
| 36 | CA146680 | O-Ring (MS9241-154) | 1 |
| 37 | CA154881 | Housing-Clutch | 1 |
| 38 | C054897 | Plug-Pipe | 1 |
| 39 | CA146682 | Seal-Oil | 1 |
| 40 | CA146683 | Bushing-Clutch | 1 |
| 41 | CA146684 | Cage-Hammer | 1 |
| 42 | CA146685 | Shaft-Pilot | 1 |
| 43 | P004254 | Ball-Steel (.5" dia.) | 1 |
| 44 | CA146686 | Cam-Hammer | 1 |
| 45 | CA146687 | Pin-Hammer | 2 |
| 46 | CA146688 | Spring-Clutch | 1 |
| 47 | CA146689 | Shank-Anvil | 1 |
| 48 | CA146691 | O-Ring (W1516-13) | 1 |
| 49 | CA146692 | Retainer-Socket | 1 |
| 50 | CA146693 | Spacer-Anvil | 1 |
| 51 | CA157415 | Screw-HXSKTHD M8 w/washer | 4 |
| 52 | CA156921 | Support-Handle | 1 |
| 53 | CA154882 | Band-Support Handle | 1 |
| 54 | CA156922 | Screw-Cap w/Washer | 4 |
| | CA156923 | Wrench-Hex (not shown) | 1 |
| 55 | CA155779 | Decal-Safety Warning | 1 |
| 56 | CA149851 | Nameplate | 1 |

Tune-Up Kit

CA149855 (Incl: Index No's. 5, 7, 10, 13, 18, 23, 24, 32, 33, 36, 39, 48 & 49)