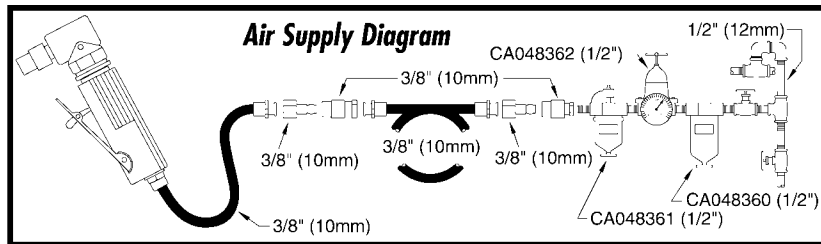
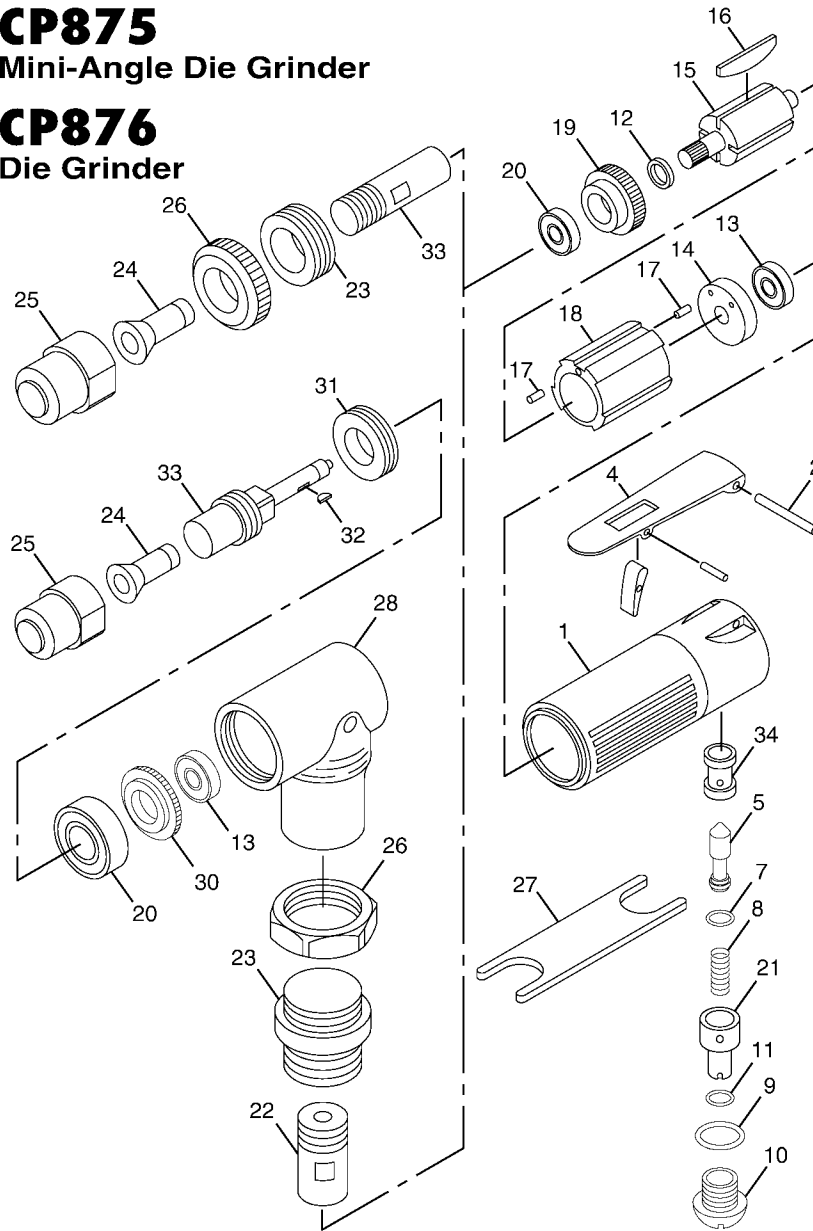


# CP875

## Mini-Angle Die Grinder

# CP876

## Die Grinder



Index No.	Part No.	Description	No. Req'd.
1	CA144786	Housing-Motor (Incl: Index No.34)	1
2	CA144787	Pin-Throttle	1
4	CA144788	Lever-Throttle (Incl: Lockout)	1
5	CA144789	Valve-Throttle	1
7	CA144842	O-Ring (P4)	1
8	CA144790	Spring-Throttle Valve	1
9	CA144843	O-Ring (P10)	1
10	CA144791	Plug-Throttle Valve	1
11	CA144844	O-Ring (P7)	1
12	CA144792	Collar-Rotor	1
13	CA144793	Bearing-Ball (CP875)	2
	CA144793	Bearing-Ball (CP876)	1
14	CA144794	Plate-Rear End	1
15	CA144795	Rotor	1
16	CA144796	Blade Set-Rotor (4)	1
17	CA144797	Pin-Roll	2
18	CA144798	Liner	1
19	CA144799	Plate-Front End (CP875)	1
	CA144855	Plate-Front End (CP876)	1
20	CA144800	Bearing-Ball (CP875)	2
	CA144800	Bearing-Ball (CP876)	1
21	CA144801	Regulator-Air	1
22	CA144802	Pinion (CP875)	1
23	CA144803	Nut-Clamp (CP875)	1
	CA144856	Nut-Clamp (CP876)	1
24	C138727	Collet (1/4 in.)	1
	C139289	Collet (6 mm)	1
25	C138728	Nut-Collet	1
26	CA144806	Cap-Housing (CP875)	1
	CA144857	Cap-Housing (CP876)	1
27	CA144807	Wrench-Spanner	2
28	CA144808	Head-Housing. (Incl: Oil Cap)	1
30	CA144809	Gear-Bevel (CP875)	1
31	CA144810	Ring-Lock (CP875)	1
32	CA144811	Key (CP875)	1
33	CA144812	Spindle (CP 875)	1
	CA144858	Spindle (CP 876)	1
34	CA147745	Bushing-Throttle Valve	1
35	CA144813	Decal Safety Warning (not shown)	1
	CA145217	Motor Assy. (Incl: Index Nos. 13, 14, 15, 16, 17, 18, 19, 20) (CP875)	1
	CA145315	Motor Assy. (Incl: Index Nos. 13, 14, 17, 18, 19, 20, & 33) (CP876)	1
	CA145218	Gear Housing Assy. (Incl: Index Nos. 13, 20, 28, 30, 32, & 37) (CP875)	1
	CA145219	Housing Assy. (Incl: Index Nos. 1, 5, 7, 8, 9, 10, 11, 21, & 34) (CP875, CP876)	1