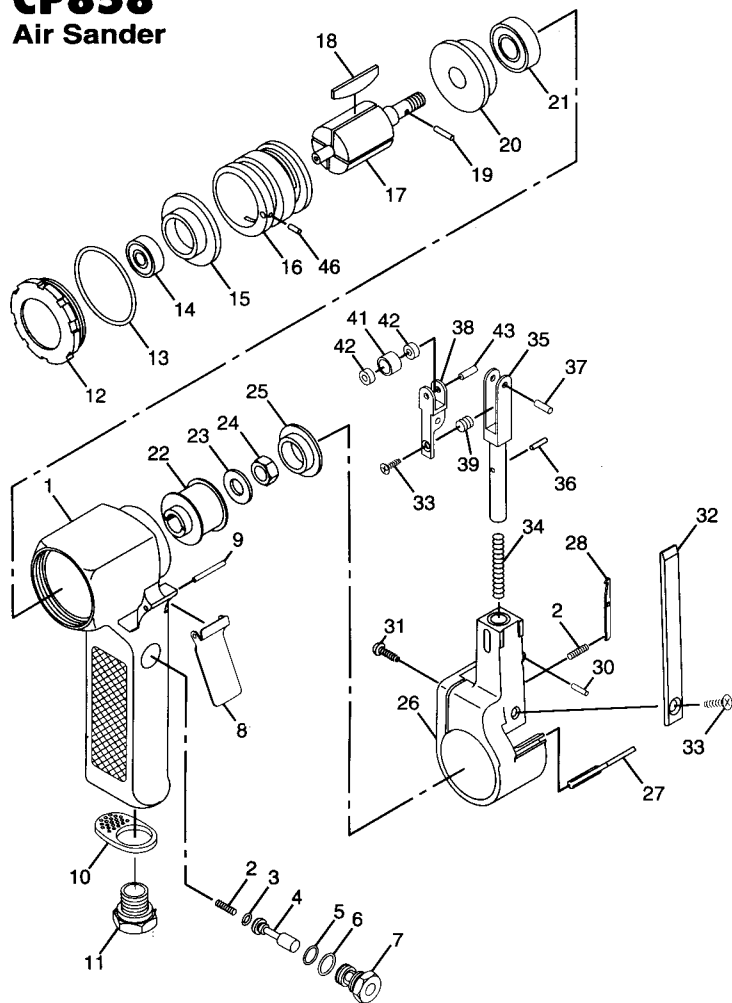


CP858

Air Sander



Index No.	Part No.	Description	No. Req'd.
1	CA155541	Motor Housing	1
2	CA155542	Spring	2
3	KF125427	O-Ring	1
4	CA155543	Valve Stem	1
5	P083071	O-Ring	1
6	CA155654	O-Ring	1
7	CA155544	Body-Valve	1
8	CA155545	Throttle Lever	1
9	KF124394	Lever Pin (3-24 mm)	1
10	CA155547	Deflector	1
11	CA155548	Inlet Bushing	1
12	CA155549	Nut-Motor	1
13	C042234	O-Ring	1
14	S025101	Ball Bearing	1
15	CA155550	Plate-Rear	1
16	CA155551	Liner	1
17	CA155552	Rotor	1
18	CA155553	Rotor Blade	4
19	CA155650	Pin-Pulley	1
20	CA155554	Plate-Front	1
21	C120326	Ball Bearing	1
22	CA155555	Pulley-Drive	1
23	CA155652	Washer	1
24	CA155651	Nut-Lock	1
25	CA155556	Cap-Pulley	1
26	CA155557	Cover-Wheel with Bushing	1
27	CA155558	Deflector	1
28	CA155559	Lever-Stop	1
30	CA155657	Pin-Roll (2.5-10 mm)	1
31	CO78984	Adjust Screw	1
32	CA155560	Shoe	1
33	CA155655	Screw-Flat (m4 x 12)	2
34	CA155561	Spring-Tension	1
35	CA155562	Arm-Tension	1
36	CA155563	Pin-Stop	1
37	CA155566	Pin-Roll (3-11 mm)	1
38	CA155564	Arm-Adjust	1
39	CA155565	Spring-Adjust	1
41	CA155566	Pulley-Idler	1
42	CA155649	Ball Bearing	2
43	CA155567	Pulley Pin	1
46	CA155568	Pin-Roll (2-6 mm)	1
	CA145203	Wrench-Hex (Not Shown)	1

