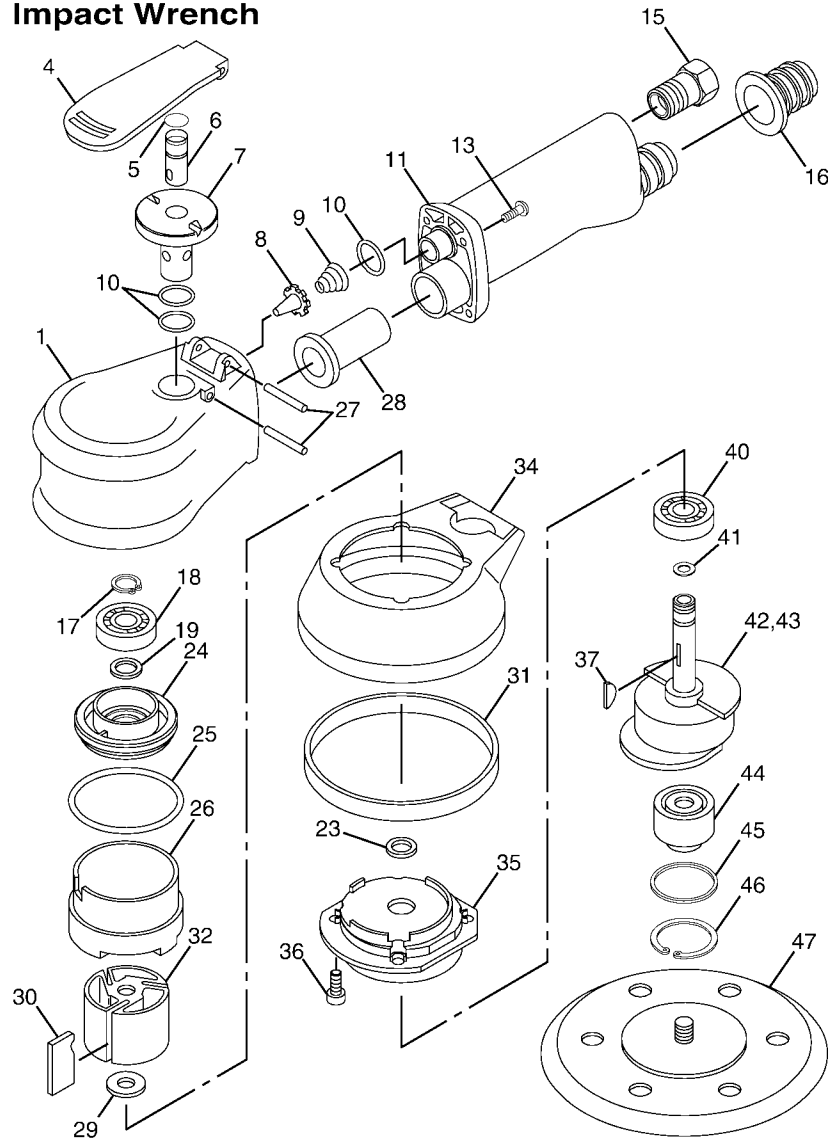


CP761 Series Impact Wrench



| Index No. | Part No. | Description | No. Req'd. |
|-----------|----------|-----------------------------------|------------|
| 1 | CA147388 | Housing- Motor | 1 |
| 4 | CA147389 | Lever-Throttle | 1 |
| 5 | CA147390 | O-Ring (4.1 x 1.6) | 1 |
| 6 | CA147391 | Stem-Throttle Valve | 1 |
| 7 | CA147392 | Valve-Throttle | 1 |
| 8 | CA147393 | Seat-Throttle Valve | 1 |
| 9 | CA147394 | Spring | 1 |
| 10 | CA147395 | O-Ring (14.1 x 1.6) | 3 |
| 11 | CA147396 | Handle (long) (CP761) | 1 |
| | CA148114 | Handle-Palm Grip (CP761P) | 1 |
| 13 | CA147397 | Screw (M16) | 1 |
| 15 | CA147398 | Bushing-Air Inlet (1/4" NPT) | 1 |
| 16 | CA147399 | Coupling-Vacuum Hose | 1 |
| 17 | CA143187 | Ring-Retaining | 1 |
| 18 | SO25055 | Bearing-Ball (6200 2Z) | 1 |
| 19 | CA147400 | Spacer-Bearing | 1 |
| 23 | CA147401 | Spacer-Bearing | 1 |
| 24 | CA147402 | Plate-Upper End | 1 |
| 25 | CA147403 | O-Ring (52 mm x 5 mm) | 1 |
| 26 | CA147404 | Liner | 2 |
| 27 | CA136794 | Pin-roll (3 mm x 30 mm) | 1 |
| 28 | CA147405 | Insert-Venturi | 1 |
| 29 | CA147406 | Shim-Spacer (0.0038 mm x 14.9 mm) | 1 |
| 30 | C143183 | Set-Rotor Blade (3) | 1 |
| 31 | C143154 | Brush-Complete | 1 |
| 32 | C143184 | Rotor | 1 |
| 34 | CA147407 | Shroud-Vacuum | 1 |
| 35 | CA147408 | Plate-Lower End | 1 |
| 36 | CA127936 | Screw-Soc. HD Cap (M5 x 20 mm) | 4 |
| 37 | C143180 | Key-Woodruff | 1 |
| 40 | CA147409 | Bearing-Ball (6002 2Z) | 1 |
| 41 | CA147410 | O-Ring (6.1 x 1.6) | 1 |
| 42 | CA147425 | Hub-Orbital (CP761) | 1 |
| 43 | CA147411 | Hub-Orbital (CP761P) | 1 |
| 44 | CA147412 | Bearing-Ball (6201 RSR) | 1 |
| 45 | CA147413 | Washer-Waved (EPL24) | 1 |
| 46 | CA147414 | Circlip-Internal (7000-032PF) | 1 |
| 47 | CA142413 | Pad-Sanding Vacuum (6 in. dia.) | 1 |

