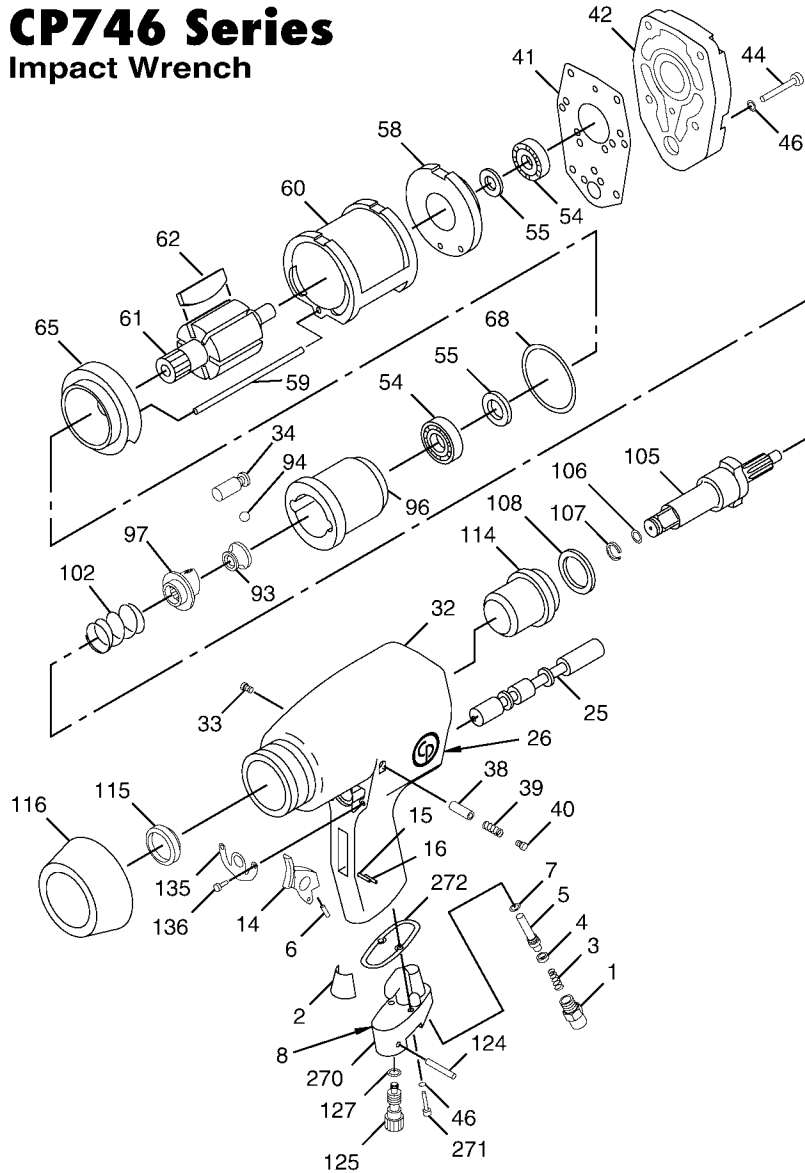
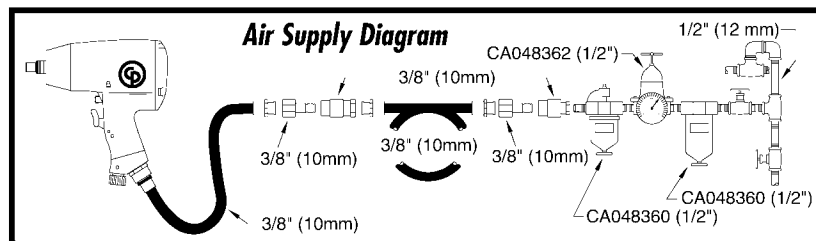


CP746 Series Impact Wrench



Index No.	Part No.	Description	No. Req'd.
1	CA091545	Bushing-Air Inlet	1
2	CA046590	Strainer-Air	1
3	CA046613	Spring-Throttle Valve	1
4	CA094885	Retainer-O-Ring	1
5	CA099901	Valve-Throttle	1
6	CA099899	Pin-Push	1
7	C100129	O-Ring	1
14	CA099927	Trigger	1
15	S014764	Pin-Trigger	1
16	CA059034	Pin-Roll	1
25	CA099906	Valve-Reverse	1
26	KF129088	Bushing-Reverse Valve (Use No. 19 Drill Thru Stop Pin Hole) (Ream Bushing with 7/16 in. Reamer)	1
32	KF144029	Housing-Motor (Includes: Index Nos. 16, 26, 33, 114, & 115)	1
33	S089953	Plug Pipe 1/16" NPT	1
34	CA045902	Pin-Anvil Hammer	2
38	CA099898	Pin-Reverse Valve Stop	1
39	CA099902	Spring-Valve Stop Pin	1
40	CA047653	Screw Set	1
41	KF134662	Gasket-Motor Housing	1
42	KF136271	Cover-Motor Housing	1
44	CA088193	Screw-Hex Socket Head	4
46	S091250	Lockwasher	6
54	C066342	Bearing-Ball	2
55	CA087513	Seal-Oil	2
58	KF136268	Plate-Rear End	1
59	C085245	Pin-Dowel	1
60	KF144032	Liner	1
61	KF144030	Rotor	1
62	KF144044	Set-Rotor Blade (G)	1
65	KF134665	Plate-Front End	1
68	C087266	O-Ring	1
93	KF144074	Pilot-Ball Cam	1
94	C011046	Ball-Cam	1
96	KF144076	Cage-Hammer	1
97	CA045906	Cam	1
102	KF144075	Spring	1
105	KF144027	Shank-Anvil (Incl: Index Nos 106 & 107)	1
105A	KF144023	Shank-Anvil (Incl: Index Nos 106 & 107)(CP746-2)	1
106	P083071	O-Ring	1
107	CA088097	Retainer-Socket	1
108	KF144028	Spacer	1
114	KF144022	Bushing-Clutch	1
115	CA087466	Seal-Oil	1
116	KF129085	Shield	1
124	C056671	Pin-Plain	1
125	CA046691	Valve	1
127	C102551	O-Ring	1
135	CA099897	Deflector Exhaust	1
135A	KF141008	Deflector-Side Exhaust (SE) (not shown)	1
136	KF129065	Screw	2
136A	KF141009	Screw-Self Tapping (SE) (not shown)	2
270	KF141312	Block Valve	1
271	C089718	Screw-Hex Socket Head	2
272	CA099895	Gasket-Valve Block	1



Regulator Assembly

KF129049 (Incl: Index Nos. 1, 2, 3, 4, 5, 7, 124, 125, 127, 270, & 272)

Tune-Up Kit

KF144043 (Incl: Index Nos. 7, 41, 55, 62, 68, 106, 107, 115, 127, & 272)

Repair Kit

KF144041 (Incl: Tune-Up Kit parts plus Index Nos. 34, 41, 94, 102, & 105)

Repair Kit (CP746-2)

KF144042 (Incl: Tune-Up Kit parts plus Index Nos. 34, 41, 94, 102, & 105A)