



Model:

WINDK

Product Type: **Air Windshield Remover
with 5pc. Blade Set**

Foreseen Use of the Tool

Do not use the tool outside of the design intent.
Never modify the tool for any other purpose, or for its use.



Safety Precaution

Caution: To help prevent personal injury

- Normal use of this product is likely to expose the user to dust and/or microscopic particles containing chemicals known to the State of California to cause cancer, birth defects or other reproductive harm. Always wear appropriate safety equipment and clothing when using this product. Study, understand and follow all instructions provided with this product.
- Always wear ANSI approved goggles when using this product.
- Always select the correct accessories of the correct size and design for the job that you are attempting to perform.
- Always work in a clean, safe, well-lit, organized and adequately equipped area.
- Do not begin repairs without assurance that vehicle is in secure position, and will not move during repair.

Product Information:

- 20,000 oscillations per minute
Blades Included:
2pc. WINDK-08E, 1pc. WINDK-08F, 1pc WINDK-08H, 1pc. WINDK-08J (Assorted Blades Available Separately)
- As a sealant cutter, cuts around bonded and encapsulated glass
 - Efficiently cleans and smoothes moldings after glass removal
 - Teasing throttle and regulator to provide easy speed control
 - Flexible blade mount can be positioned in 12 different ways (at 30° increments)
 - Rear exhaust directs air away from work
 - Safety lever
 - Blades Included with tool:
2pc. - WINDK-08E - 57mm Bent Blade
1pc. - WINDK-08F - 90mm Bent Blade
1pc. - WINDK-08H - 52mm Bent Curved Blade
1pc. - WINDK-08J -35mm Flat-Nose Straight Blade

Specifications:

- Oscillations Per Minute: 20,000
- Stroke Arc: 3°
- Overall Length: 8" (203mm)
- Net Weight: 3lbs. (1.36kg)
- Air Inlet Thread NPT: 1/4"
- Air Hose I.D. Size: 3/8" (10mm)
- Avg. Air Consumpt.: 6cfm
- Air Pressure: 90-120psi
- Vibration level: 2.2m/s²



Astro Pneumatic Tool Company

1 YEAR LIMITED WARRANTY

The manufacturer warrants this product to the original user against defective material or workmanship for a period of 1 year from the date of purchase.

The manufacturer reserves the right to determine whether the part or parts failed because of defective material, workmanship or other causes. Failures caused by accident, alteration, or misuse are not covered by this warranty.

The manufacturer, at its discretion, will repair or replace products covered under this warranty free of charge. Repairs or replacements of products covered under this warranty are warranted for the remainder of the original warranty period.

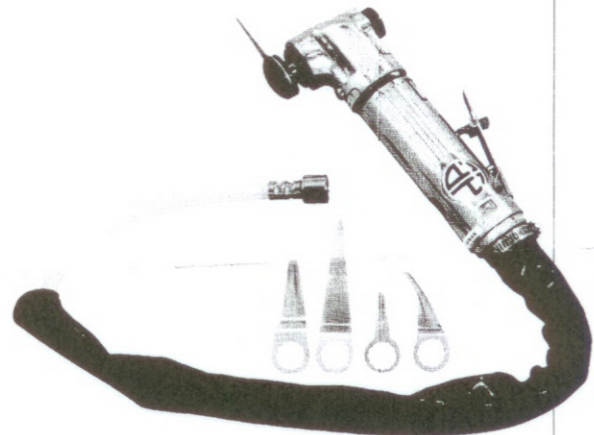
The manufacturer or its authorized service representatives must perform all warranty repairs. Any repair to the product by unauthorized service representatives voids this warranty. The rights under this warranty are limited to the original user and may not be transferred to subsequent owners.

This warranty is in lieu of all other warranties, expressed or implied, including warranties of merchantability and fitness for a particular purpose. Some states do not allow the exclusion or limitations of incidental or consequential damages, so the above limitations may not apply to you.

Unpacking

When unpacking, check the parts diagram and part number listing on page 3 to make sure all parts are included. If any parts are missing or damaged, please call your distributor.

Air Windshield Remover with 5pc. Blade Set



Important

Read these instructions carefully before installing, operating, servicing or repairing this tool. Keep these instructions in a safe accessible place.

Maintenance instruction:

1) Lubrication

Before connecting the hose and after 3 to 4 hours of use, apply 4 to 5 drops of #60 spindle oil at the air inlet. Use of a thicker oil can lead to reduced performance or malfunction.

2) Tightness of parts:

Regularly check whether all connecting parts are fastened securely. Follow this procedure daily before beginning work.

3) Cleanliness:

Dust may accumulate around spindle inside shield. It is recommended to remove the dust on daily basis.

4) Storage:

Avoid storing the tool in a location subject to high humidity. If the tool is left unused, the residual moisture inside the tool can cause rust. Before storing and after operation, oil the tool at the air inlet with spindle oil and run it for a short period.

5) Disposal:

Follow national legislation of Waste disposal. Never drop into fire

6) Ordering service part:

For further operational and handling information or for replacement of parts and components, contact the sales agent from where you purchased the tool, or the service division of our company.

*In ordering parts and components, give each part number, name and quantities.

⚠ WARNING ⚠



1) The tool shall not be used in potentially explosive atmospheres.



2) Disconnect the air hose before changing or adjusting any inserted tools.

3) Before using tool, please confirm all couplings and plugs are fixed securely. Air hose that is under pressure may lash out when disconnected and could lead to serious injuries

4) Prevent loose clothes, long hair or any other personal accessories from coming close to moving parts to reduce the risk of being caught, trapped or drawn into the rotating spindle.

5) Excessive high air pressure, that exceeds the maximum pressure, may cause injuries to user.



6) Exposure to strong vibration for extended time may cause harm to operator.

7) Make sure of the rotation direction before starting the tool to reduce hazardous situations due to unexpected rotation direction.



8) Slip/Trip/Fall is a major reason of serious injury or death. Beware of excess hose left on the walking or work surface.



9) Wearing eye/face protector could reduce the danger to person from high speed splinters being emitted from the tool or work surface.



10) Wearing correct breathing protection will help avoid inhaling dust or handling debris from work process that can be harmful to your health.

12) High sound level can cause permanent hearing loss. Use hearing protection while operating tool.

13) Due to the material being processed, there may be a risk of explosion or fire. Be aware of work surface dangers prior to beginning work.

14) There is a risk of being injured due to high speed rotation. Do not touch high speed rotating parts.

15) This power tool is not insulated. If contact is made with an electric current injury may occur



16) Dust created by sanding, sawing, grinding, drilling and other related activities may expose the user to dust and/or microscopic particles that may contain chemicals known to the State of California to cause cancer, birth defects or other reproductive harm.

Users of this tool should review the chemical composition of the work surface and any products used in conjunction with the operation of this tool for any such chemicals prior to engaging in any activity that creates dust and/or microscopic particles.

Users should obtain the Material Safety Data Sheets for all identified chemicals, either from the manufacturer or their employer, and proceed to study, understand, and follow all instructions and warnings for exposure to such chemicals.

Some examples of these chemicals are: lead from lead-based paints; crystalline silica from bricks, cement and other masonry products; and arsenic and chromium from chemically treated lumber. A listing of the chemicals can be obtained from www.oehha.ca.gov under Proposition 65.

In order to reduce their exposure to such chemicals, users should always:

*work in well-ventilated areas.

*wear appropriate safety equipment and clothing that are specifically designed to filter out microscopic particles.

Cautions for Use

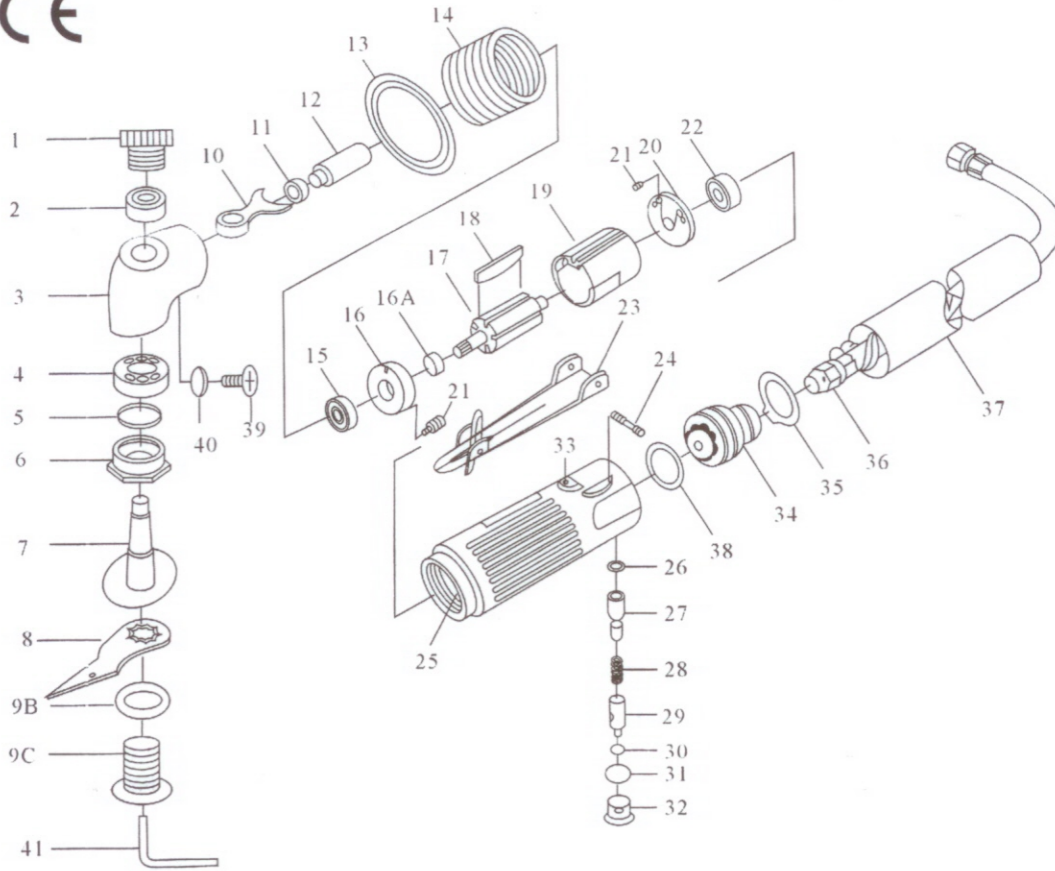
1) Always wear ear protection and safety glasses when using this tool. Gloves and protective clothing are recommended.

2) Personal protection and dust collection devices shall be chosen according to the material being worked upon. Please consult provider of such devices.

3) Release the start and stop device in case of failure of energy supply.

4) Never use hand sockets. Only use power drive sockets.

5) Basic safety instructions and warnings must always be followed. In addition, safety instructions & warnings identified in ANSI B186.1 Safety Code for Portable Air Tools must be followed. For further ANSI information see www.ansi.org or call (212) 642-4900.



Parts List

Index No.	Parts No.	Description	QTY.	Index No.	Parts No.	Description	QTY.
1	307001	Plug	1	25	307025	Housing	1
2	BB-06072	Ball-Bearing (607zz)	1	26	302034	O-Ring (Ø3.6X2.4)	1
3	307003	Head	1	27	302035	Valve Stem	1
4	BB-69002	Ball-Bearing (6900zz)	1	27A	ORP-0050	O-Ring (P5)	1
5	307005	Seal-Oil	1	28	301005	Valve Spring	1
6	307006	Nut-Clamp	1	29	302037	Air Regulator	1
7	307007	Spindle-Drive	1	30	ORP-0070	O-Ring (P7)	1
8	307008	Blade 57mm (2-14")	1	31	ORP-0120	O-Ring (P12)	1
9B	307009B	Retainer	1	32	302040	Throttle Valve PLug	1
9C	S7-8020A	Screw (M8x20)	1	33	302041	Valve Bushing	1
10	307010	Fork-Drive	1	34	307034	Throttle Artor	1
11	BB-06072G	Ball-Bearing (607zz)	1	35	301A09	Stop Ring	1
12	307012	Shaft-Crank	1	36	301A50	Air Hose Assembly 1/4	1
13	307013	Nut	1	36A	301A50A	Sponge	1
14	307014	Reatiner	1	37	301A51	Exhaust Hose	1
15	BB-60002	Ball-Bearing (6000zz)	1	38	307038	Packing	1
16	307016	Front Plate	1	39	S4-5006B	Screw (M5X6)	1
16A	307016A	Washer	1	40	ORP-005	O-Ring (P5)	1
17	307017	Rotor	1	41	307041	Hattaqon Wrench Key 5	1
18	302025	Rotor Blade	4				
19	302026	Cylinder	1				
20	307020	End Plate	1				
21	SP-25040	Pin (2.5x4)	3				
22	BB-06262	Ball-Bearing (626zz)	1				
23	307023	Throttle Lever	1				
24	SP-30230	Lever Pin (M3x23)	1				

Available Blades:

WINDK-08A - 24mm Hook Blade, WINDK-08B - 36mm Hook Blade, WINDK-08C - 60mm Hook Blade
 WINDK-08D - 90mm Hook Blade, WINDK-08E - 57mm Bent Blade, WINDK-08F - 90mm Bent Blade
 WINDK-08G - 35mm Round-Nose Straight Blade, WINDK-08H - 52mm Bent Curved Blade
 WINDK-08I - 48mm Scraper Blade, WINDK-08J - 35mm Flat-Nose Straight Blade
 WINDK-08L - 35mm Serrated Straight Blade

Testing Specifications

Oscillation (rpm)	20000
Air Consumption (L/min)	260
Air Inlet (inch)	1/4"
Air Pressure (kg/cm ³)	6.2 (90psi)
Overall Length (mm)	200
Weight (kg)	1.2

Test Results According to EN 792-12

Vibration EN28662-1	Noise ISO 3746:1995(E)	Remark
Load 2.2m/s ²	Sound pressure level 80.5dB	Operator should wear an approved earprotector and gloves while operating the tool.
	Sound pressure level 91.0dB	
	Instantaneous Sound Pressure 98.5 dB	

Foreseen Use of the Tool

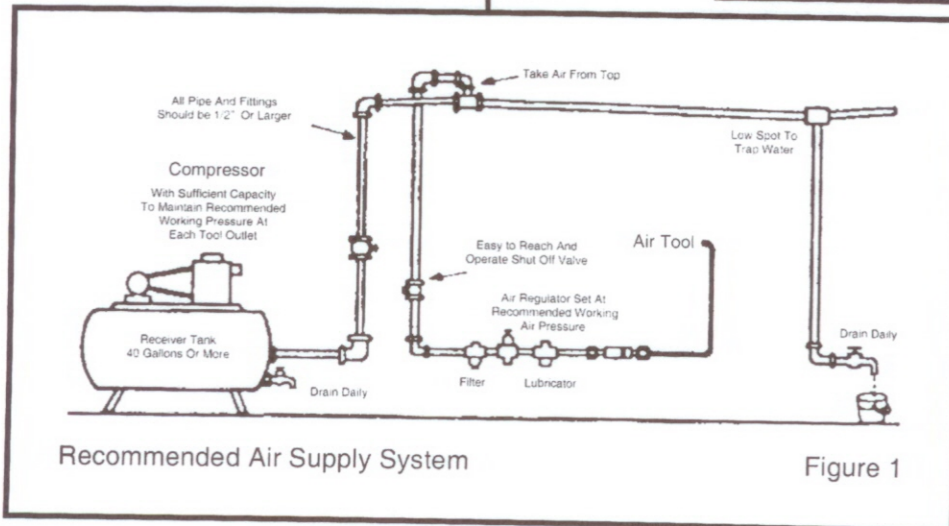
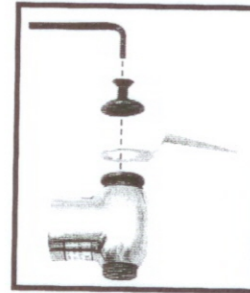
Do not use the tool outside of the design intent.
Never modify the tool for any other purpose, or for its use.

Starting and Stopping Oscillation of Tool

To operate this tool, using thumb to push the safety lever on the throttle lever and immediately push the throttle lever down. Then the tool will start oscillating. To stop the or slow down the oscillation of the tool, just ease the pressure on the throttle lever.

Replacement or Adjustment of Blades

To install a new blade, loosen the black hexagon socket on the underside of the head of the tool with a allen wrench (provided with tool). Once Blade is on tighten socket.
See diagram below for visual instructions.



Recommended Air Supply System

Figure 1