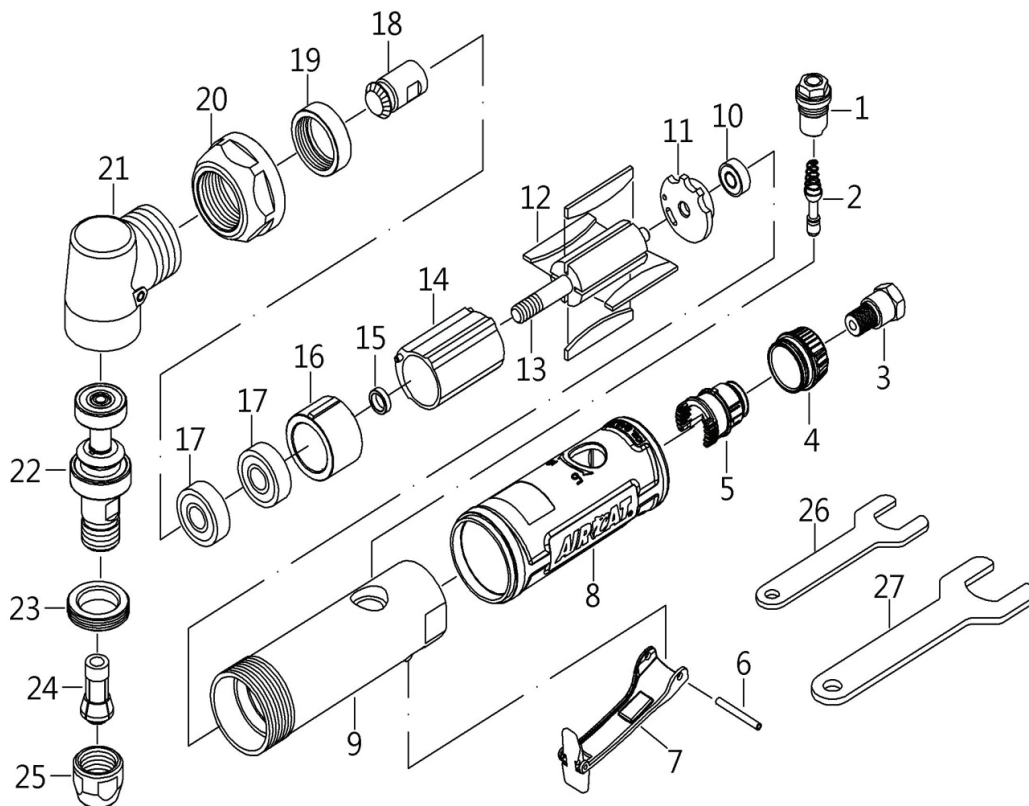


## .5 HP 1/4" Angle Die Grinder



Ref #	Part Number	Description	Qty
1	9ST70004AS	REGULATOR SET	1
2	9ST70007BAS	VALVE STEM SET	1
3	970009-A	AIR INLET	1
4	9ST20010BAS	EXHAUST SLEEVE SET	1
5	9ST20022B	CONE MUFFLER	1
6	912012.1	SPRING PIN	1
7	9ST200A13-6245	LEVER	1
8	970014-6245	PROTECTING RUBBER	1
9	9ST21015	HOUSING	1
10	920312	BEARING	1
11	9ST70017	REAR PLATE	1
12	920019	ROTOR BLADE	4
13	9ST288321	ROTOR	1
14	9ST70021AS	CYLINDER SET	1

Ref #	Part Number	Description	Qty.
15	920022	BEARING SPACER	1
16	9ST21023	FRONT PLATE	1
17	921024	BEARING	2
18	921025	BEVEL GEAR	1
19	921026	NUT	1
20	9ST21027	CLAMP NUT	1
21	9ST288330AS	ANGLE HOUSING SET	1
22	9ST21032AS	SHAFT SET	1
23	921034	CLAMP NUT	1
24	921036	COLLET	1
25	921037	COLLET NUT	1
26	9BT21038-14	STOP SPANNER 14M/M	1
27	9BT21039-19	STOP SPANNER 19M/M	1