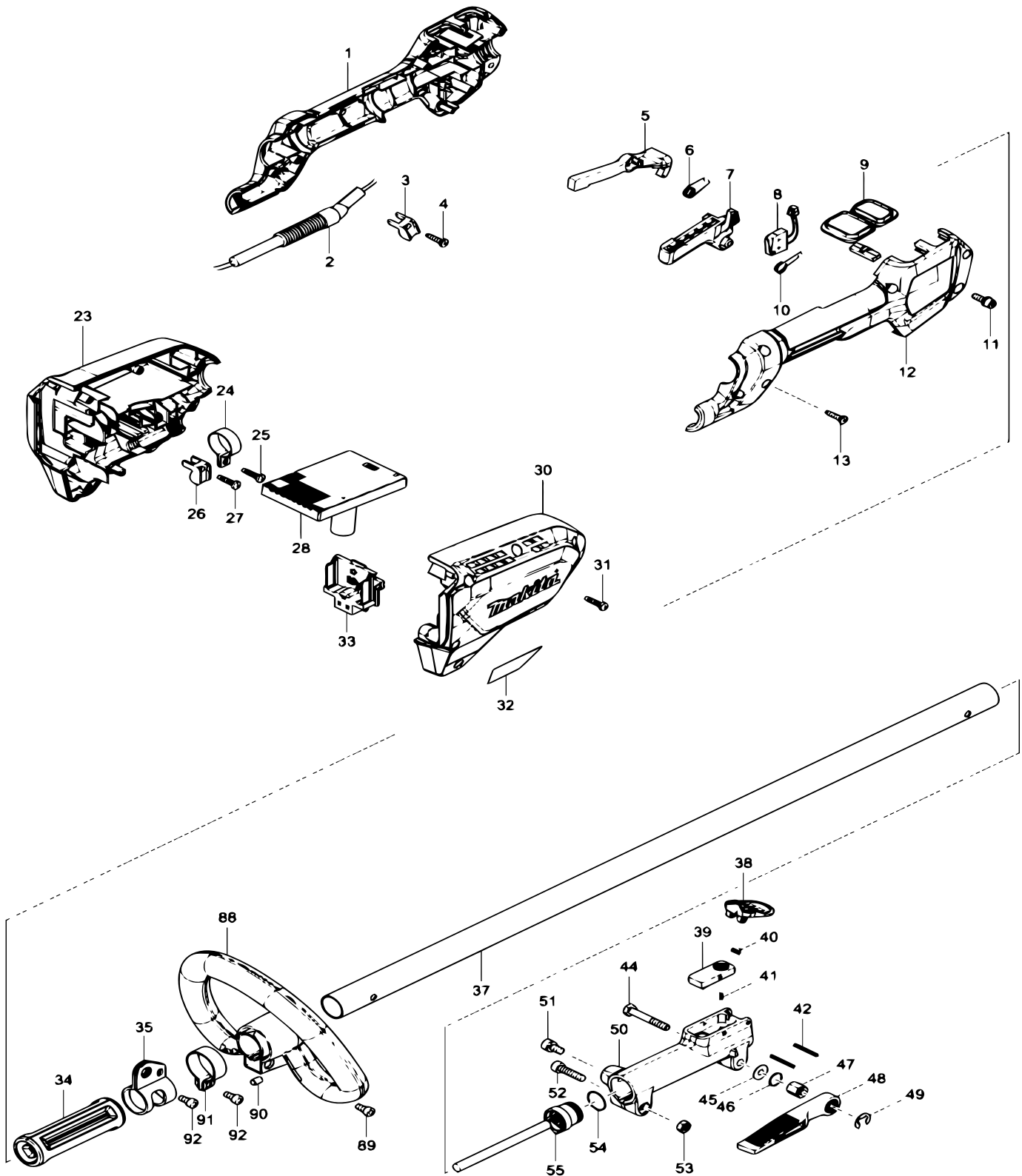




XRU12

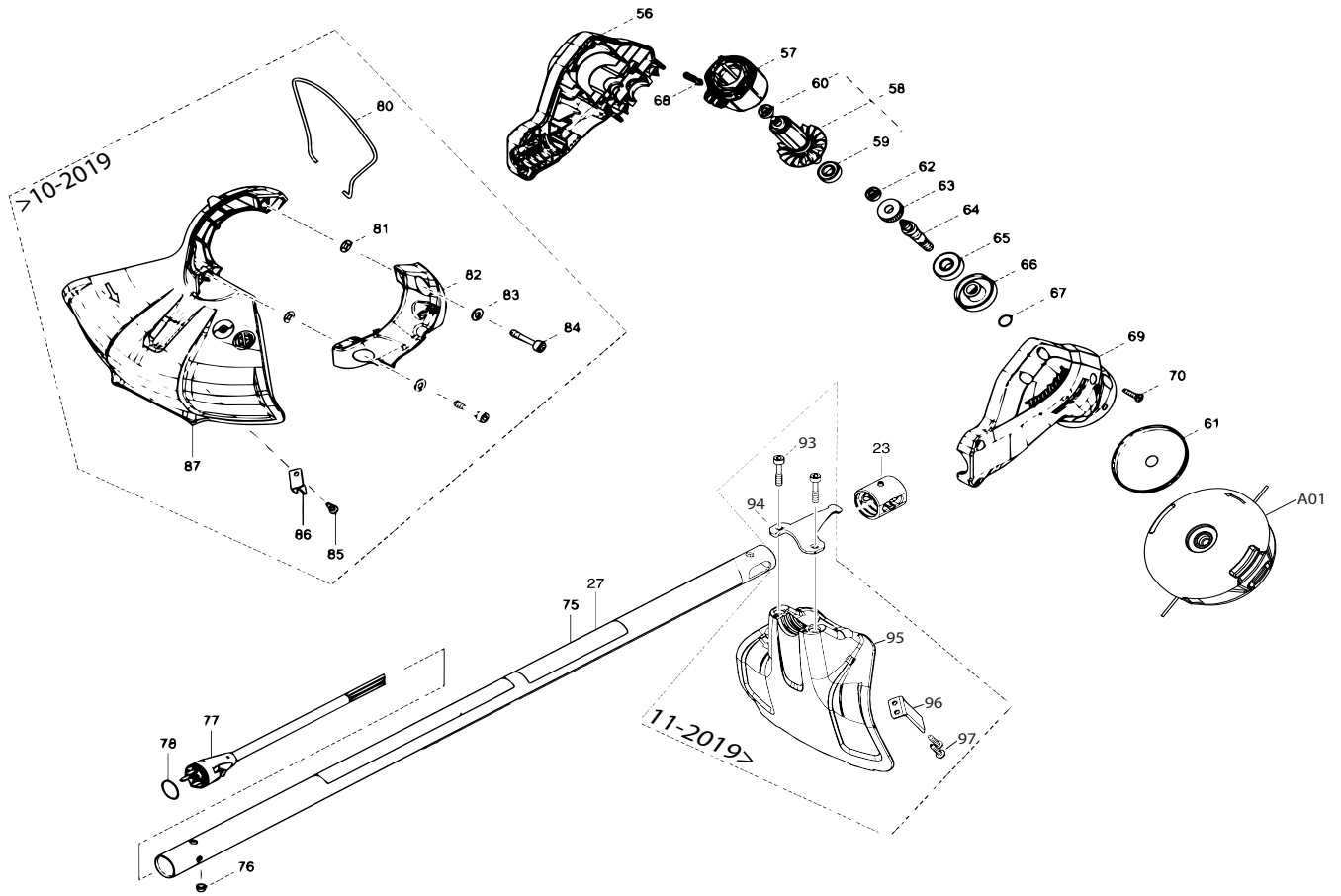


Products with multiple versions are listed in subsiding order with the newest version on top not indented.

Section	Fig. No.	Part No.	Description	XRU12	Tech Bulletin	Notes
1	1	183A19-1	GRIP SET	1		
1		931202-6	HEX NUT M5	1		INC WITH FIG 1
1	2	699085-7	POWER SUPPLY CORD UNIT	1		
1	3	687260-7	STRAIN RELIEF	1		
1	4	266326-2	TAPPING SCREW 4X18	1		
1	5	455629-1	LOCK OFF LEVER	1		
1	6	233621-5	TORSION SPRING 9	1		
1	7	455625-9	SWITCH LEVER	1		
1	8	632E26-0	SWITCH UNIT	1		
1	9	144371-6	SUB CONTROLLER COMPLETE	1		
1	10	233612-6	TORSION SPRING 10	1		
1	11	922228-9	H.S.H.BOLT M5X18 WITH WR	1		
1	12	183A19-1	GRIP SET	1		INC. 1
1		931202-6	HEX NUT M5	1		INC WITH FIG 12
1	13	266326-2	TAPPING SCREW 4X18	6		
1	23	183F35-3	HOUSING SET	1		INC. 30
1		263005-3	RUBBER PIN 6	2		INC WITH FIG 23
1	24	346248-3	CLAMP 24	1		
1	25	266326-2	TAPPING SCREW 4X18	1		
1	26	687260-7	STRAIN RELIEF	1		
1	27	266326-2	TAPPING SCREW 4X18	1		
1	28	620642-0	CONTROLLER	1		
1	30	183F35-3	HOUSING SET	1		INC. 23
1		263005-3	RUBBER PIN 6	2		INC WITH FIG 30
1	31	266326-2	TAPPING SCREW 4X18	6		
1	33	644809-6	TERMINAL	1		
1	34	451601-1	SPACER 24	1		
1	35	347116-3	HANGER	1		
1	37	326925-3	PIPE B	1		
1	38	454304-6	JOINT COVER	1		
1	39	454303-8	LOCK LEVER	1		
1	40	233604-5	TORSION SPRING 3	1		
1	41	233211-4	COMPRESSION SPRING 2	1		

Products with multiple versions are listed in subsiding order with the newest version on top not indented.

Section	Fig. No.	Part No.	Description	XRU12	Tech Bulletin	Notes
1	42	258010-3	SPRING PIN 2.5-25	2		
1	44	265596-0	HEX.BOLT M6X40	1		
1	45	253332-6	THIN WASHER 6	1		
1	46	213105-9	O RING 11	1		
1	47	252159-1	HEX. NUT M6	1		
1	48	272268-0	LEVER 94	1		
1	49	961014-3	STOP RING E-8	1		
1	50	319531-1	JOINT 24 B	1		
1	51	922311-2	HEX. SOCKET HEAD BOLT	1		
1	52	922342-1	HEX. SOCKET HEAD BOLT	1		
1	53	931302-2	HEX. NUT M6	1		
1	54	213275-4	O RING 18	1		
1	55	699087-3	POWER SUPPLY CORD UNIT	1		
1	88	457937-6	LOOP HANDLE 24	1		
1	89	922212-4	HEX. SOCKET HEAD BOLT M5X12	1		
1	90	263005-3	RUBBER PIN 6	1		
1	91	347011-7	PIPE CLAMP 29	1		



Products with multiple versions are listed in subsiding order with the newest version on top not indented.

Section	Fig. No.	Part No.	Description	XRU12	Tech Bulletin	Notes
1	92	922212-4	HEX. SOCKET HEAD BOLT	1		
2	56	183F18-3	MOTOR HOUSING SET	1		INC. 69
2	57	629248-1	STATOR	1		
2	58	519429-4	ROTOR ASS'Y	1		INC. 59,60
2	59	210051-7	BALL BEARING 609LLB	1		
2	59	210049-4	BALL BEARING 609ZZ	1		
2	60	211157-4	BALL BEARING 695ZZ	1		
2	61	346857-8	GUARD	1		
2	62	211157-4	BALL BEARING 695ZZ	1		
2	63	221492-2	HELICAL GEAR 26	1		
2	64	326924-5	CUTTER SHAFT	1		
2	65	210059-1	BALL BEARING 6000DDW	1		
2	66	144512-4	RECEIVE WASHER COMPLETE	1		INC. 67
2	67	213055-8	O RING 10	1		
2	68	652069-6	FLAT HEAD SCREW M3X6	3		
2	69	183F18-3	MOTOR HOUSING SET	1		INC. 56
2	70	266326-2	TAPPING SCREW 4X18	8		
2	71	424567-8	RUBBER SLEEVE 24	1		
2	75	144413-6	PIPE COMPLETE B	1		
2	76	326880-9	STOPPER PIN B	1		
2	77	699088-1	POWER SUPPLY CORD UNIT	1		
2	78	213275-4	O RING 18	1		
2	80	326348-5	WIRE GUARD	1		>Oct 2019
2	81	413143-3	WASHER	2		>Oct 2019
2	82	454641-8	PROTECTOR HOLDER	1		>Oct 2019
2	83	253428-3	SPRING WASHER 6	2		>Oct 2019
2	83	942151-2	SPRING WASHER 6	2		>Oct 2019
2	84	266579-3	HEX SOCKET HEAD BOLT M6X30	2		>Oct 2019
2	85	266427-6	TAPPING SCREW 4X12	1	B7193	>Oct 2019
2	86	347274-5	CUTTER	1	B7193	
2	86	346725-5	CUTTER	1		
2	87	457324-9	PROTECTOR	1		>Oct 2019
2	93	251513-6	HSH BOLT M5X25	2		Nov 2019>

Products with multiple versions are listed in subsiding order with the newest version on top not indented.

Section	Fig. No.	Part No.	Description	XRU12	Tech Bulletin	Notes
2	94	347664-2	PROTECTOR CLAMP	1		Nov 2019>
2	95	412580-8	PROTECTOR N 330	1		Nov 2019>
2	96	346855-2	CUTTER	1		Nov 2019>
2	97	266326-2	TAPPING SCREW 4X18	2		Nov 2019>
2	A01	198386-5	TRIMMER HEAD	1		
2	A02	456640-6	SPOOL HOLDER	1	Y07610	
2	A03	232289-4	COMPRESSION SPRING 15	1	Y07610	
2	A04	144259-0	SPOOL COVER CPL w/EYLETS	1	Y07610	
2	A05	456642-2	SPOOL	1	Y07610	
2	A06	125516-5	BAND ASSEMBLY	1		NOT PICTURED