

★=Part number change from previous service parts list.

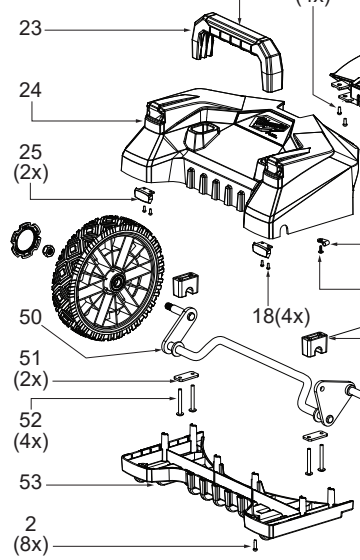
|     |    |    |    |     |     |
|-----|----|----|----|-----|-----|
| 210 | 1  | 2  | 3  | 4   | 9   |
|     | 10 | 11 | 13 | 14  | 15  |
|     | 16 | 17 | 18 | 144 | 147 |

|     |     |    |    |
|-----|-----|----|----|
| 205 | 2   | 5  | 6  |
|     | 7   | 27 | 42 |
|     | 130 |    |    |

|     |    |    |    |
|-----|----|----|----|
| 206 | 2  | 12 | 20 |
|     | 22 | 27 |    |

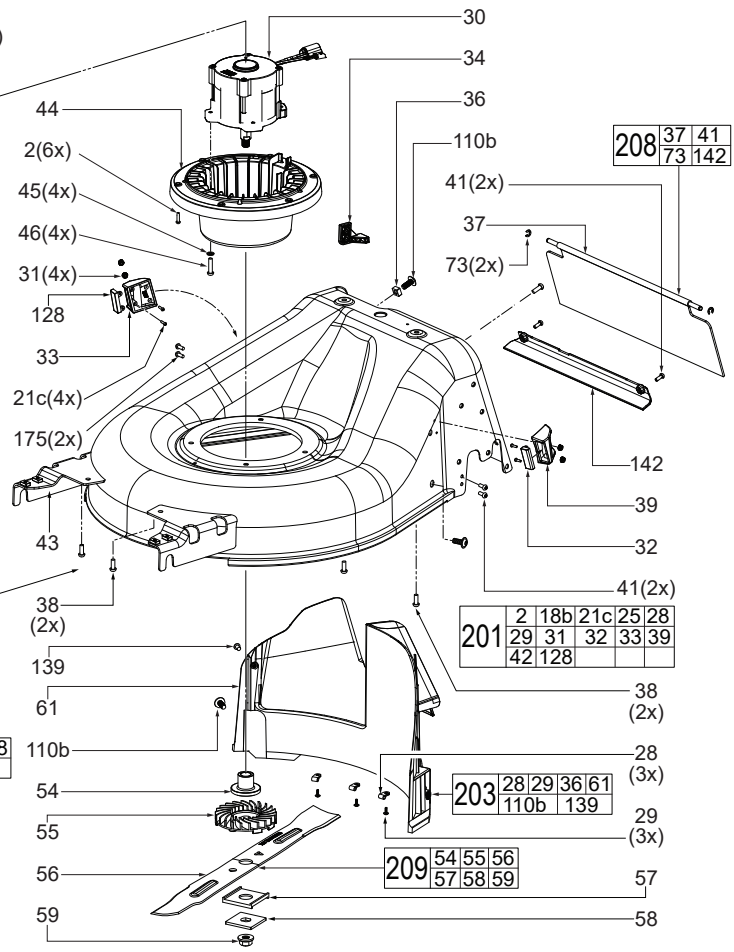


|     |    |    |    |    |
|-----|----|----|----|----|
| 204 | 2  | 23 | 24 | 27 |
|     | 28 | 29 | 38 | 53 |



| FIG. | PART NO.   | DESCRIPTION OF PART                  | NO. REQ. |
|------|------------|--------------------------------------|----------|
| 1    |            | Battery Power Head Cover             | (1)      |
| 2    | 06-82-1076 | M4 x 16mm Pan Hd. Taptite T-20 Screw | (35)     |
| 3    |            | Rubber Bumper                        | (2)      |
| 4    |            | Power Head Housing                   | (1)      |
| 5    |            | Battery Interface - Left             | (1)      |
| 6    |            | Battery Interface - Middle           | (1)      |
| 7    |            | Battery Interface - Right            | (1)      |
| 8    |            | Back Mower Housing                   | (1)      |
| 9    |            | Power Cable Strain Relief            | (1)      |
| 10   |            | Top Cover Torsion Spring             | (1)      |
| 11   |            | Top Cover Hinge Pin                  | (1)      |
| 12   |            | Flat Washer                          | (2)      |
| 13   |            | Fuel Power Lens                      | (1)      |
| 14   |            | Lens Plate                           | (1)      |
| 15   |            | Fuel Gauge PCBA                      | (1)      |
| 16   | 06-82-0276 | M3 Pan Washer Hd. ST Phillips Screw  | (2)      |
| 17   |            | Hinge Containment Tab                | (2)      |
| 18   | 05-81-1195 | M3 x 8mm Pan Hd. SP T-10 Screw       | (8)      |
| 19   | 31-44-0219 | Rear Deck Lift Handle                | (1)      |
| 20   |            | Boat Securing Bracket                | (1)      |
| 21c  | 05-81-0005 | M3 x 11mm Pan Hd. Taptite T-10 Screw | (4)      |
| 22   |            | Main PCBA                            | (1)      |
| 23   | 31-44-0221 | Front Deck Lift Handle               | (1)      |
| 24   |            | Front Mower Housing                  | (1)      |
| 25   |            | Headlight Assembly                   | (1)      |
| 26   |            | Front Shaft Mount                    | (2)      |
| 27   | 05-71-0017 | M4 x 10mm Pan Hd. ST T-20 Screw      | (5)      |
| 28   |            | 3/16" Wire Clip                      | (15)     |

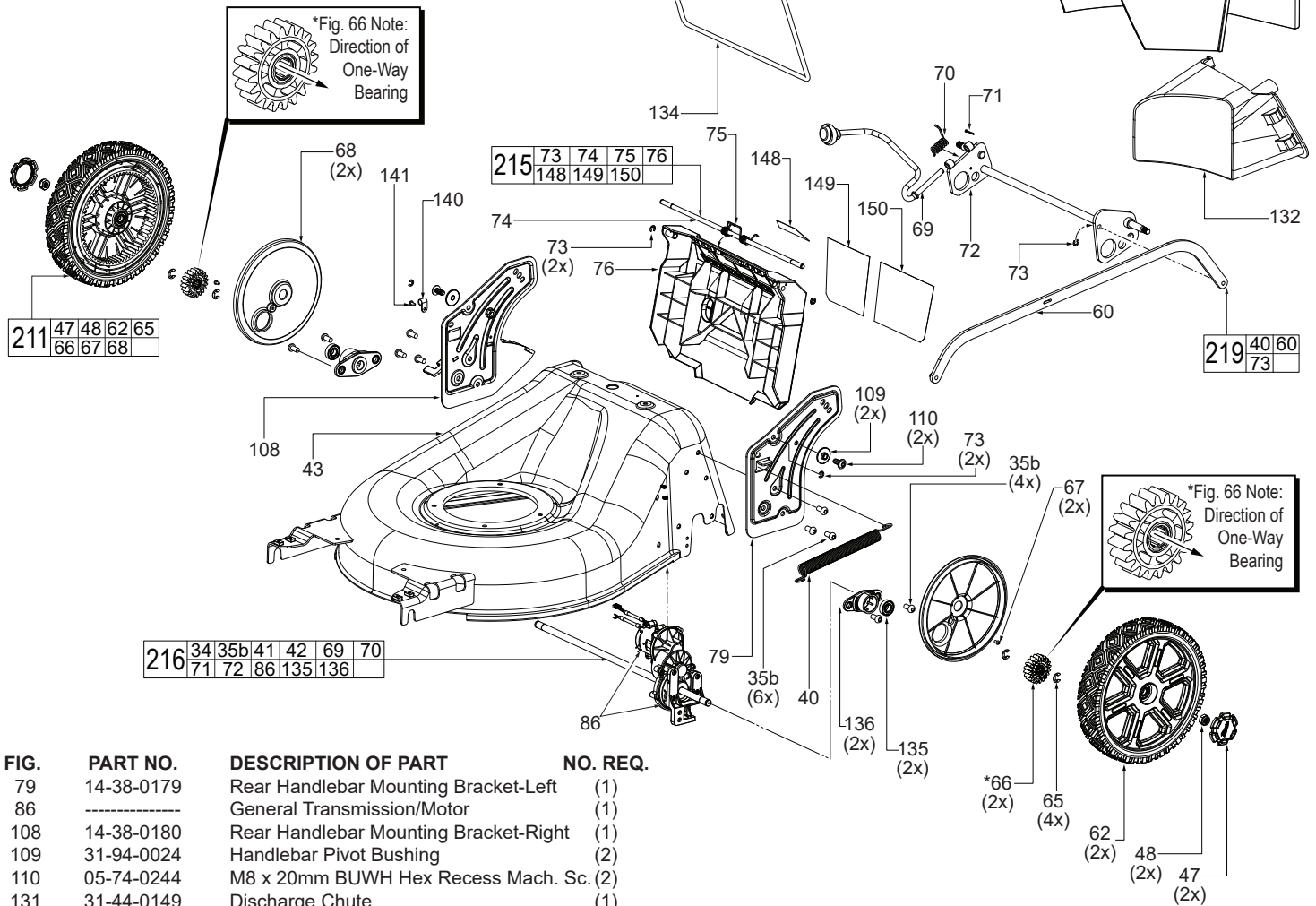
| FIG. | PART NO.   | DESCRIPTION OF PART                  | NO. REQ. |
|------|------------|--------------------------------------|----------|
| 29   | 05-88-1100 | M3 x 10mm Pan Washer Hd. ST T-10 Sc. | (15)     |
| 30   | 16-01-0072 | Motor                                | (1)      |
| 31   | 05-55-0022 | M5 Hex Nut with Nylon Insert         | (4)      |
| 32   |            | Sidelight Assembly-Left              | (1)      |
| 33   |            | Right Sidelight Housing              | (1)      |
| 34   |            | Height Adjustment Backstop           | (1)      |
| 36   |            | M8 Square Nut                        | (1)      |
| 37   |            | Rear Guard                           | (1)      |
| 38   | 05-74-0246 | M6 x 16mm Pan Hd. T-30 Mach. Screw   | (4)      |
| 39   |            | Left Sidelight Housing               | (1)      |
| 41   | 05-78-0032 | M5 x 13mm Pan Hd. T-25 Mach. Screw   | (4)      |
| 42   |            | Wire Cover                           | (1)      |
| 43   |            | Mower Deck                           | (1)      |
| 44   | 31-44-0004 | Blade Motor Housing                  | (1)      |
| 45   |            | Flat Washer                          | (4)      |
| 46   | 05-74-0242 | M6 x 25mm Pan Hd. T-30 Mach. Screw   | (4)      |
| 47   | 45-94-0084 | Plastic Wheel Cap                    | (2)      |
| 48   | 05-55-0158 | M10 Hex Nut with Nylon Insert        | (2)      |
| 49   |            | Front Wheel                          | (2)      |



| FIG.  | PART NO.   | DESCRIPTION OF PART                | NO. REQ. |
|-------|------------|------------------------------------|----------|
| 50    |            | Front Axle Weldment                | (1)      |
| 51    |            | Front Axle Mount Plate             | (2)      |
| 52    | 05-74-0243 | M5 x 44mm TH T-25 Machine Screw    | (4)      |
| 53    |            | Front Deck Baffle                  | (1)      |
| 54    |            | Fan Spacer                         | (1)      |
| 55    |            | Blade Motor Fan                    | (1)      |
| 56    |            | 21" Lawn Mower Blade               | (1)      |
| 57    | 28-20-0102 | Shear Plate                        | (1)      |
| 58    |            | Blade Washer                       | (1)      |
| 59    | 44-40-0027 | M12 Flange Nut                     | (1)      |
| 61    |            | Rear Discharge Baffle              | (1)      |
| 73    |            | E-Retaining Ring                   | (2)      |
| ★100b | 05-74-0244 | M8 x 20mm BUWH Hex Recess Screw    | (3)      |
| 128   |            | Sidelight Assembly-Right           | (1)      |
| 130   |            | Cord Clamp                         | (1)      |
| 139   | 05-74-0245 | M6 x 10mm Pan Hd. Hex Recess Mach. | (1)      |
| 142   |            | Rear Guard Cover                   | (1)      |
| 144   | 19-98-0163 | Fuel Gauge Decal                   | (1)      |
| 147   | 10-20-7266 | 2 Battery Decal                    | (2)      |
| ★175  |            | M5 x 13mm PH T-25 Screw            | (2)      |
| 201   | 14-46-0408 | LED Worklight Assemblies           | (1)      |
| 202   | 28-41-0033 | Front Wheel Assembly (Set of One)  | (2)      |
| 203   | 42-14-0029 | Baffle Assembly                    | (1)      |
| 204   | 28-50-0019 | Front Housing Assembly             | (1)      |
| 205   | 44-81-0014 | Battery Rail Assembly              | (1)      |
| ★206  | 14-20-2513 | Main PCBA Service Kit              | (1)      |
| 207   | 42-12-0024 | Front Axle Service Kit             | (1)      |
| ★208  | 28-41-8525 | Rear Guard Service Kit             | (1)      |
| 209   | 22-84-0017 | Blade/Motor Fan Service Kit        | (1)      |
| 210   | 14-38-0113 | Power Head Cover Assembly          | (1)      |

| FIG. | PART NO.   | DESCRIPTION OF PART                   | NO. REQ. |
|------|------------|---------------------------------------|----------|
| 35b  | 05-74-0241 | M8 x 16mm Pan Hd. T-40 Mach. Screw    | (10)     |
| 40   | -----      | Deck Height Adjustment Spring         | (1)      |
| 43   | -----      | Mower Deck                            | (1)      |
| 47   | 45-94-0084 | Plastic Wheel Cap                     | (2)      |
| 48   | 05-55-0158 | M10 Hex Nut with Nylon Insert         | (2)      |
| 60   | -----      | Height Adjustment Linkage Weldment    | (1)      |
| 62   | -----      | Rear Wheel Assembly                   | (2)      |
| 65   | -----      | E-Ring                                | (4)      |
| 66   | -----      | Transmission Shaft Pinion             | (2)      |
| 67   | 05-81-0266 | M4 x 8mm Pan Hd. T-20 Mach. Screw     | (2)      |
| 68   | -----      | Rear Wheel Drive Cover                | (2)      |
| 69   | -----      | Height Adjustment Handle              | (1)      |
| 70   | -----      | Deck Height Adjustment Torsion Spring | (1)      |
| 71   | -----      | Cotter Pin                            | (1)      |
| 72   | -----      | Rear Axle Weldment                    | (1)      |
| 73   | -----      | E-Retaining Ring                      | (4)      |
| 74   | -----      | Rear Bagger Door Hanging Rod          | (1)      |
| 75   | -----      | Rear Door Torsion Spring              | (1)      |
| 76   | -----      | Rear Bagger Door                      | (1)      |

★ = Part number change from previous service parts list.



| FIG. | PART NO.   | DESCRIPTION OF PART                   | NO. REQ. |
|------|------------|---------------------------------------|----------|
| 79   | 14-38-0179 | Rear Handlebar Mounting Bracket-Left  | (1)      |
| 86   | -----      | General Transmission/Motor            | (1)      |
| 108  | 14-38-0180 | Rear Handlebar Mounting Bracket-Right | (1)      |
| 109  | 31-94-0024 | Handlebar Pivot Bushing               | (2)      |
| 110  | 05-74-0244 | M8 x 20mm BUWH Hex Recess Mach. Sc.   | (2)      |
| 131  | 31-44-0149 | Discharge Chute                       | (1)      |
| 132  | 31-44-0147 | Mower Mulch Plug                      | (1)      |
| 133  | 28-20-0212 | Rear Discharge Bagger Assembly        | (1)      |
| 134  | 43-62-0049 | Bagger Frame Weldment                 | (1)      |
| 135  | -----      | Ball Bearing                          | (2)      |
| 136  | -----      | Rear Wheel Drive Hub                  | (2)      |
| 140  | -----      | 3/8" Wire Clip                        | (1)      |
| 141  | 05-81-1030 | M4 Hex Screw                          | (1)      |
| 148  | 12-20-0525 | Service Nameplate                     | (1)      |
| 149  | 10-20-7258 | Warning and Safety Decal-Right        | (1)      |
| 150  | 10-20-7257 | Warning and Safety Decal-Left         | (1)      |
| ★211 | 28-50-4139 | Rear Wheel Kit (Set of One)           | (2)      |
| ★215 | 43-70-5227 | Rear Bagger Door Assembly             | (1)      |
| ★216 | 23-30-0113 | Transmission and Motor Assembly       | (1)      |
| 219  | 43-40-0021 | Linkage/Spring Service Kit            | (1)      |

| FIG. | PART NO.   | DESCRIPTION OF PART                            | NO. REQ. |
|------|------------|--|----------|
| 102  | 22-44-0010 | Power Cable Clip                               | (3)      |
| 103  | -----      | Bottom Handlebar - Right                       | (1)      |
| 104  | -----      | Spring Pin                                     | (2)      |
| 105  | -----      | Handlebar Adjustment Handle                    | (2)      |
| 106  | -----      | Compression Spring                             | (2)      |
| 107  | -----      | Handlebar Adjustment Pin                       | (2)      |
| 109  | 31-94-0024 | Handlebar Pivot Bushing                        | (2)      |
| 110  | 05-74-0244 | M8 x 20mm BUWH Hex Recess Mach. Sc.            | (2)      |
| 111  | -----      | Handlebar Adjustment Pin Holder                | (2)      |
| 112  | -----      | Bottom Handlebar - Left                        | (1)      |
| 113  | 31-44-0174 | Handlebar Pivot Sleeve                         | (2)      |
| 114  | 05-74-0102 | M8 x 1.25 Square Neck Flat Hd. Bolt            | (2)      |
| 115  | 43-98-0307 | Handlebar Knob                                 | (2)      |
| 118  | 45-88-0279 | Knob Plate                                     | (2)      |
| 212  | 31-44-0173 | Handle Assembly - Right                        | (1)      |
| 213  | 31-44-0189 | Handle Assembly - Left                         | (1)      |
| ★218 | 31-44-1398 | Handlebar Housing / Control Assembly w/ Wiring | (1)      |

★=Part number change from previous service parts list.

