

## Limitem Rigid Bulb Thermostats



356 Limitem Rigid Bulb Thermostat.

### Description

The 356 Limitem Rigid Bulb Thermostat is a pneumatically operated, duct-mounted thermostat, which is available in either direct or reverse acting in a variety of ranges.

### Features

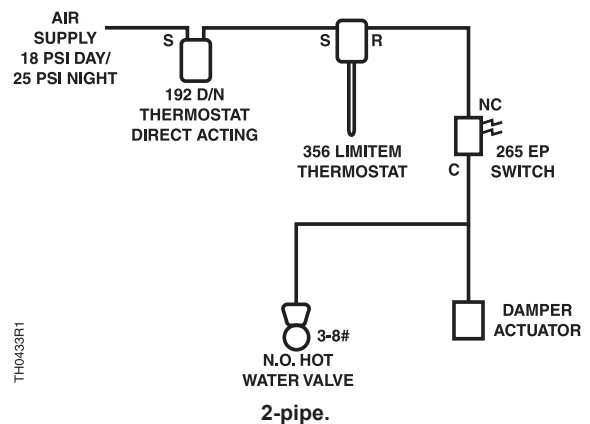
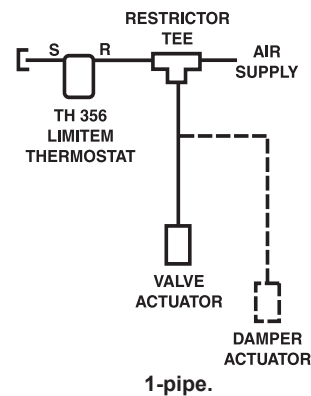
- Durable copper motor tube and steel rod temperature sensing element
- Two-valve design reduces air waste
- Duct mounting hardware included
- All metal construction
- 18" (46 cm) sensing tube

### Applications

The 356 Limitem Rigid Bulb Thermostat provides primary control for unit ventilators, fan coils and other air handling units. Can also be used as low limit control for air flow to a controlled space.

### Application Drawings

Dotted lines are alternative control schemes.



TH0433R1

## 356 Limitem Rigid Bulb Thermostat Specifications

<b>Control Action</b> .....	Direct or Reverse	<b>Nominal Air Supply Pressure</b> .....	18 to 25 psi (124 to 172 kPa)
<b>Maximum Supply Air Pressure</b> .....	30 psi (207 kPa)	<b>Maximum External Pressure (on bulb)</b> .....	250 psi (1722 kPa)
<b>Sensitivity Range (adjustable)</b> .....	0.25 to 2 psi/°F (3 to 25 kPa/°C)	<b>Mounting</b> .....	Flange or 3/8" NPT
<b>Factory Sensitivity Setting</b> .....	1.25 psi/°F (15 kPa/°C)	<b>Air Connections</b> .....	1/8" NPT
<b>Temperature Response</b> .....	0.50°F (0.9°C)	<b>Dimensions</b>	
<b>Dial Graduations</b> .....	5°F (2.7°C)/2°C (3.6°F)	Bulb Length .....	18" (457 mm)
<b>Maximum Ambient Temperature</b>		Flange OD .....	2.56" (65 mm)
Case .....	200°F (93°C)	Case .....	1.5" Diameter x 3" L (33 mm Diameter x 76 mm L)
Bulb (Direct Acting).....	225°F (107°C)	<b>Shipping Weight</b> .....	2.0 lb. (0.91 kg)
Bulb (Reverse Acting).....	250°F (121°C)		

## 356 Limitem Rigid Bulb Thermostat Product Ordering

Control Action	Temperature Operating Range	Part No.
Direct Acting	0 to 100 °F (-18 to +38°C)	<b>356-0012</b>
Direct Acting	30 to 180°F (-1.11 to +82.2°C)	<b>356-0750</b>
Reverse Acting	0 to 100°F (-18 to +38°C)	<b>356-0013</b>
Reverse Acting	30 to 180°F (-1.11 to +82.2°C)	<b>356-1005</b>
Reverse Acting	100 to 250°F (37.8 to 121°C)	<b>356-1006</b>

F-22

Accessories & Service Kits

F-87

### TECH TIP

When using the Limitem as a one-pipe device, a 40 scim (11 ml/s) restrictor will limit your output to 80% of supply. A 20 scim (5 ml/s) restrictor will limit your output to 60% of supply.

*Example:* With a 20 scim (5 ml/s) restrictor and 25 psi (11.3 kPa) supply, your maximum output is 15 psi (6.8 kPa).