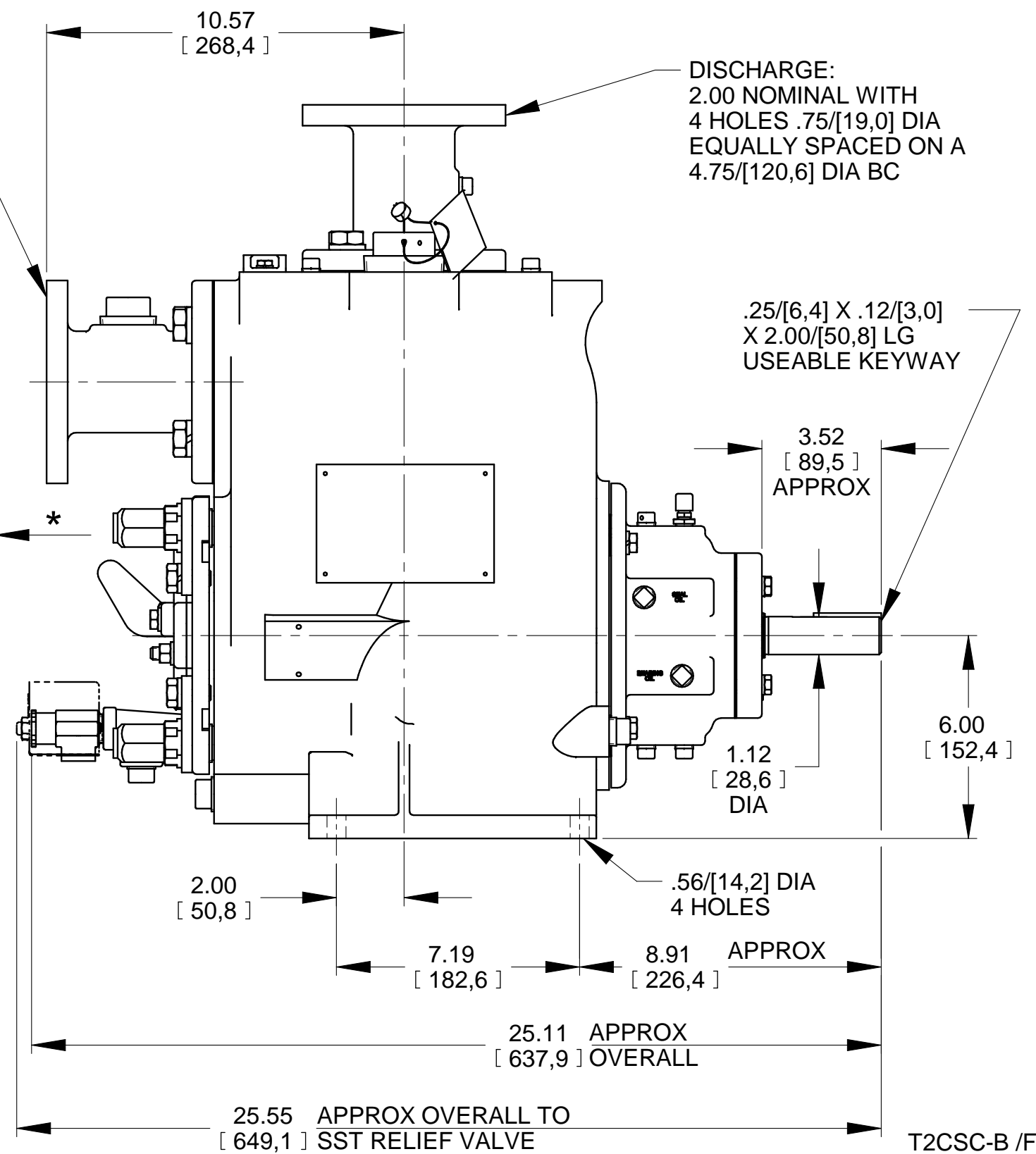


SUCTION:
2.00 NOMINAL WITH
4 HOLES .75/[19,0] DIA
EQUALLY SPACED ON A
4.75/[120,6] DIA BC



DISCHARGE:
2.00 NOMINAL WITH
4 HOLES .75/[19,0] DIA
EQUALLY SPACED ON A
4.75/[120,6] DIA BC

* 18.00/[457,2] RECOMMENDED FOR REMOVAL OF BACK COVER PLATE
T2CSC-B /F - 8.50/[215,9] REQUIRED FOR REMOVAL OF BACK COVER PLATE
T2DS-B /F / T2ESC-B /F - 9.50/[241,3] REQUIRED FOR REMOVAL OF BACK COVER PLATE

T2CSC-B /F
T2DS-B /F
T2ESC-B /F

DIMENSIONS:
INCHES
[MILLIMETERS]

23-039

	THE GORMAN-RUPP CO. MANSFIELD, OHIO ST. THOMAS, ONTARIO		DRAWN BY CAG	SCALE 1/4	MODEL NOTED
	DATE 2/27/19	REVISED 8-24-23	OUTLINE NUMBER 19569		