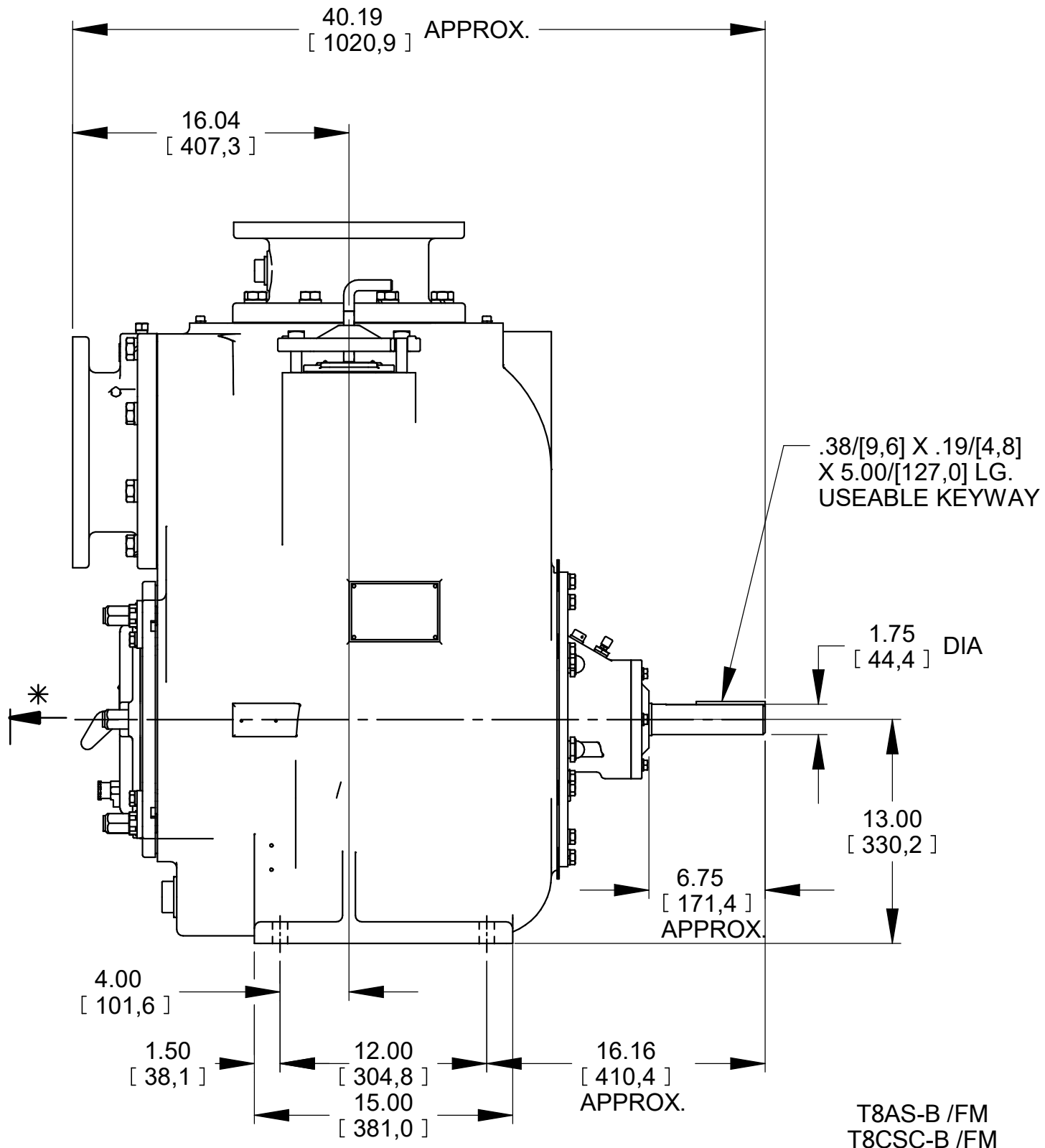
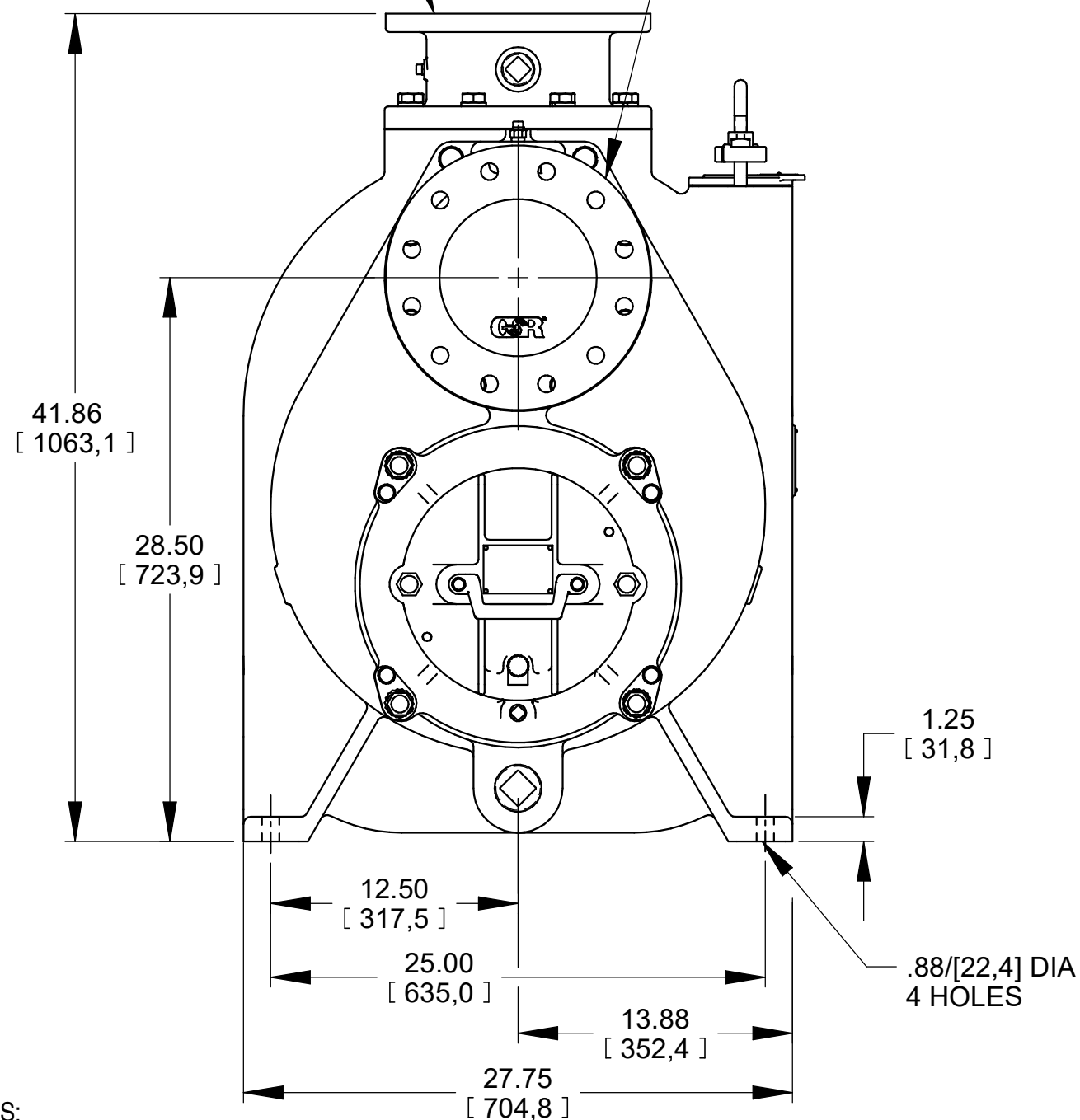


\* 24.00/[609,6] RECOMMENDED FOR REMOVAL OF BACK COVER PLATE

13.00/[330,2] REQUIRED FOR REMOVAL OF BACK COVER PLATE

METRIC DISCHARGE :  
200,0 MM WITH (12) 22,0 MM  
DIA HOLES EQUALLY SPACED  
ON A 295,0 MM DIA B.C.  
PER DIN 2527, (PN16)

METRIC SUCTION :  
200,0 MM WITH (12) 22,0 MM  
DIA HOLES EQUALLY SPACED  
ON A 295,0 MM DIA B.C.  
PER DIN 2527, (PN16)



DIMENSIONS:  
INCHES  
[MILLIMETERS]

19-004



**THE GORMAN-RUPP CO.**  
MANSFIELD, OHIO ST. THOMAS, ONTARIO

DRAWN BY SAR	SCALE 1/8	MODEL NOTED
DATE 11-6-14	REVISED 12-30-19	OUTLINE NUMBER 19036