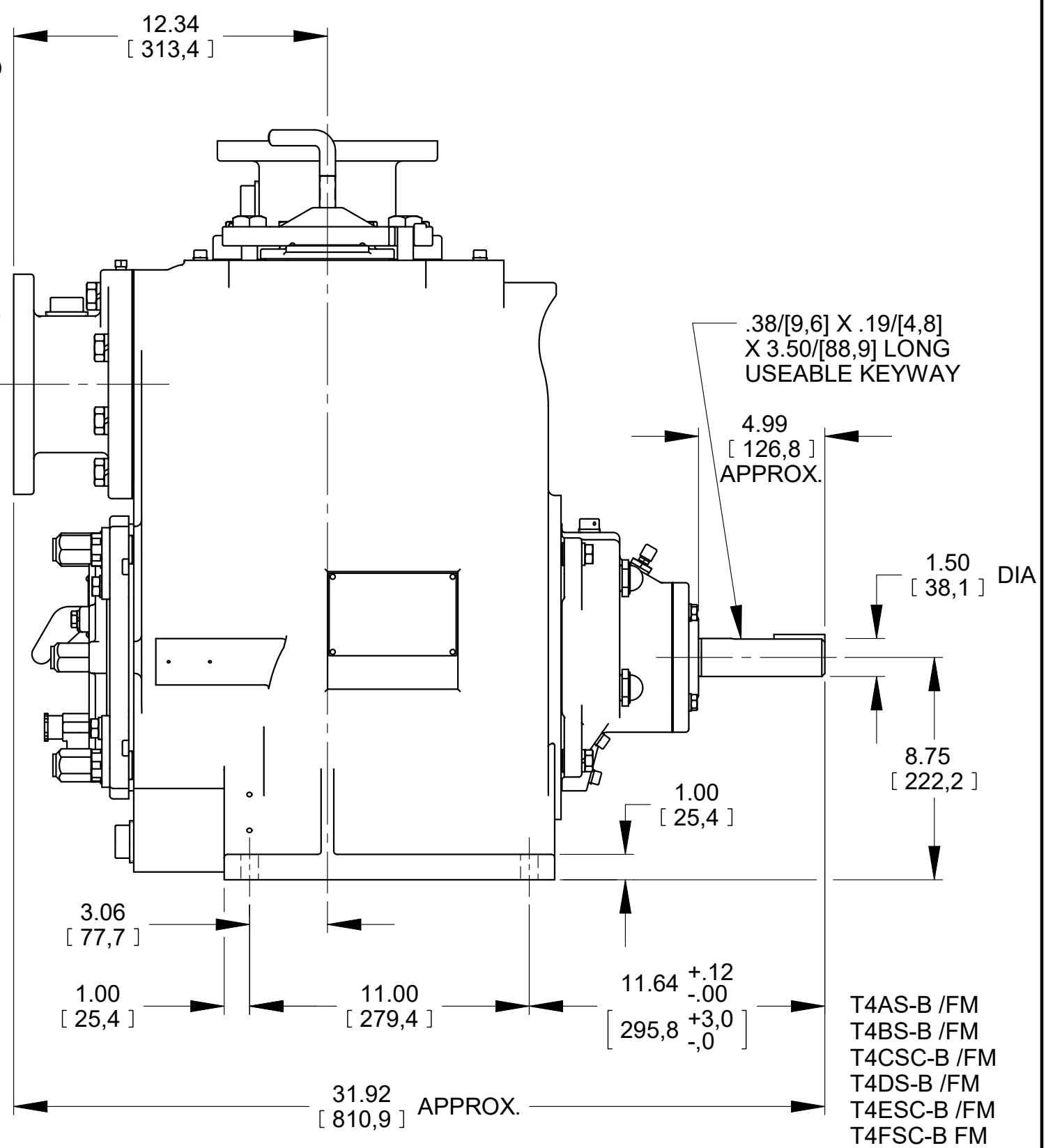
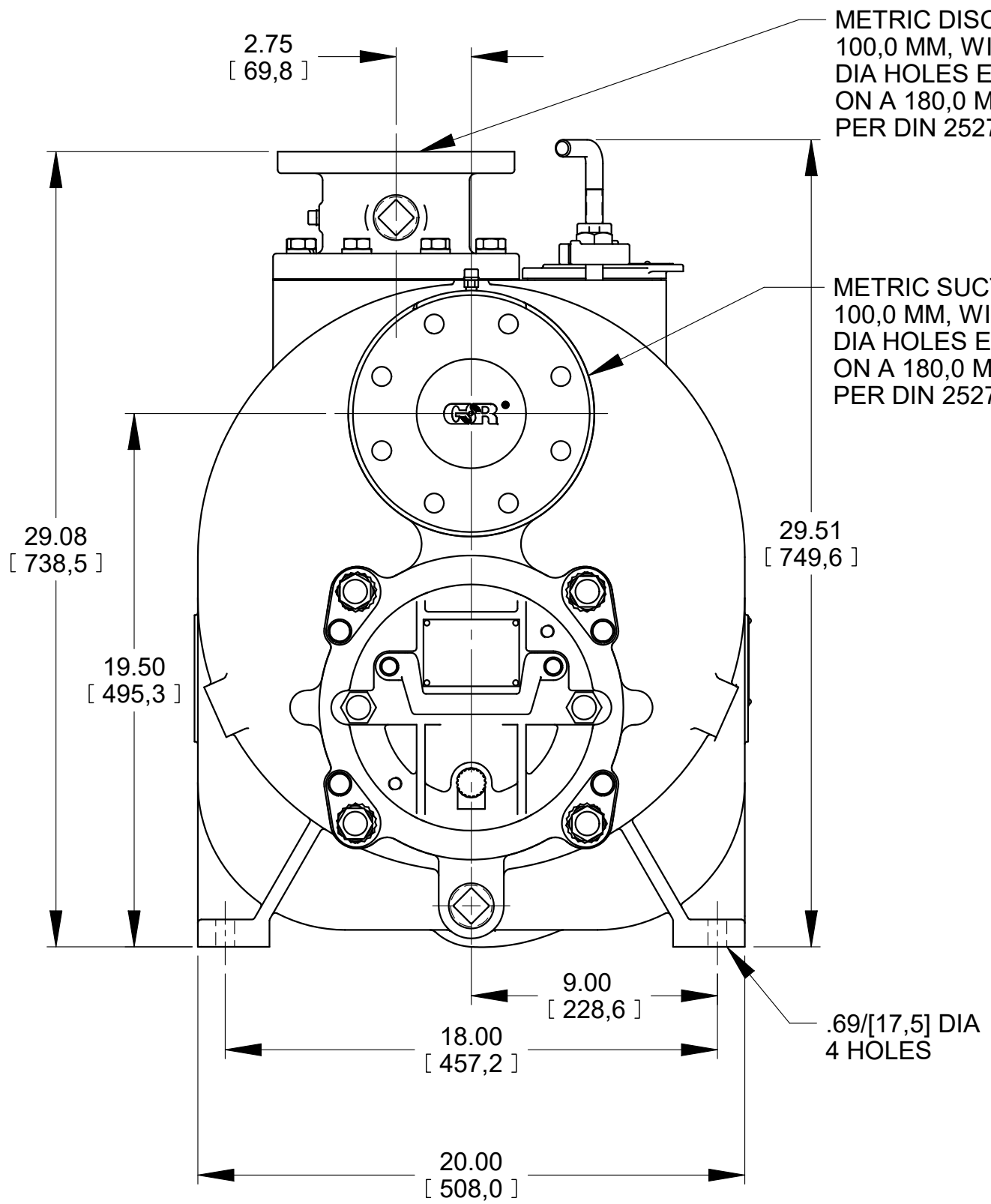


* 18.00/[457,2] RECOMMENDED FOR REMOVAL OF BACK COVER PLATE
 T4AS-B /FM / T4CSC-B /FM / T4FSC-B /FM - 10.00/[254,0] REQUIRED FOR REMOVAL OF BACK COVER PLATE
 T4BS-B /FM / T4DS-B /FM / T4ESC-B /FM - 11.50/[292,1] REQUIRED FOR REMOVAL OF BACK COVER PLATE



DIMENSIONS:
 INCHES
 [MILLIMETERS]

20-040

	THE GORMAN-RUPP CO. MANSFIELD, OHIO ST. THOMAS, ONTARIO		DRAWN BY JPJ	SCALE 3/16	MODEL NOTED
	DATE 10-14-14	REVISED 08/04/20	OUTLINE NUMBER 19020		