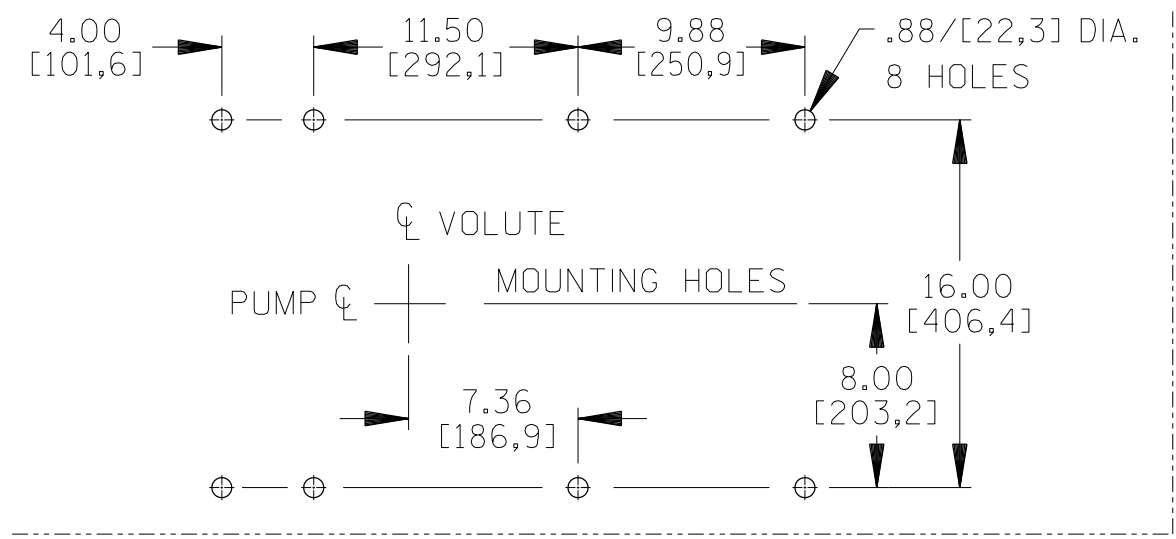
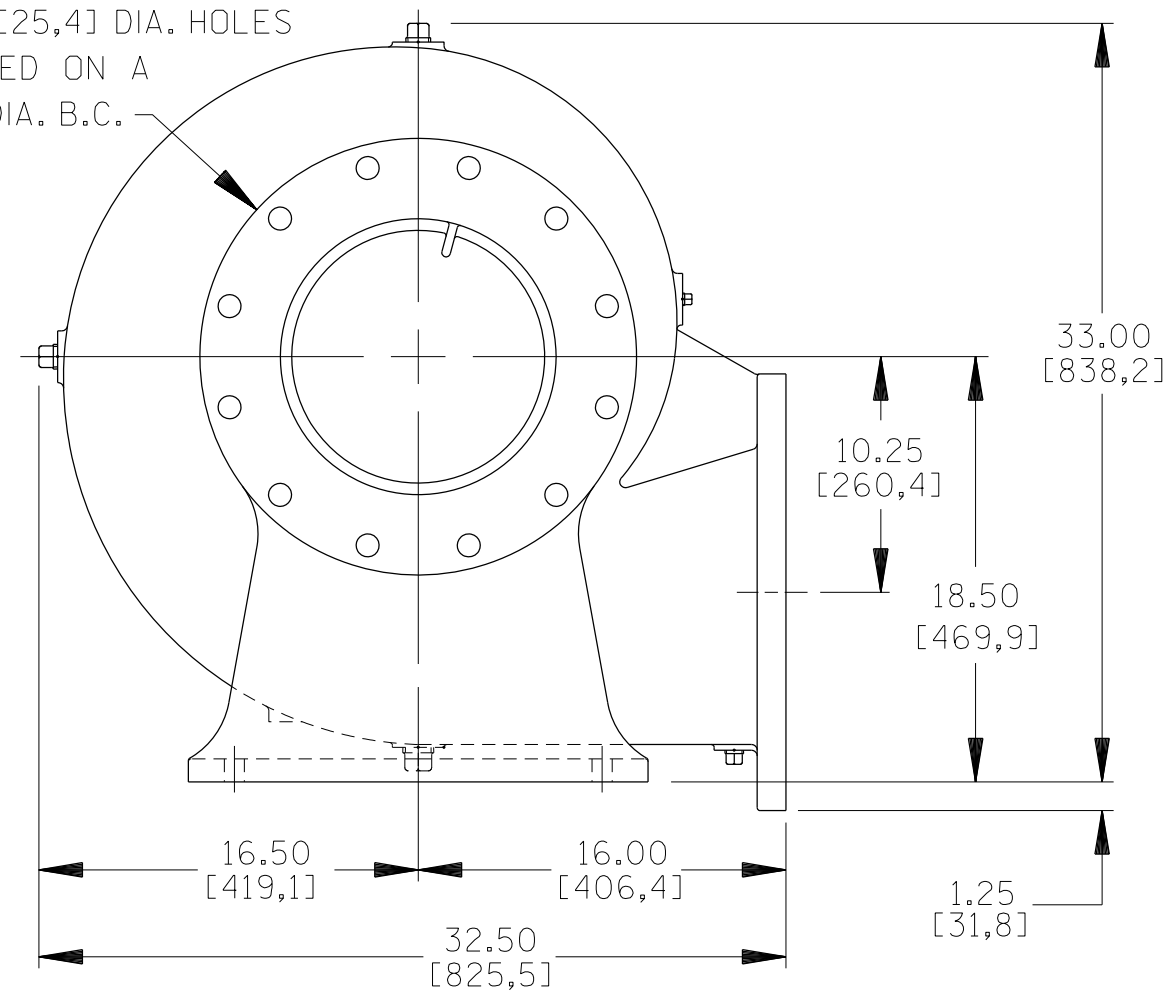


B 16631

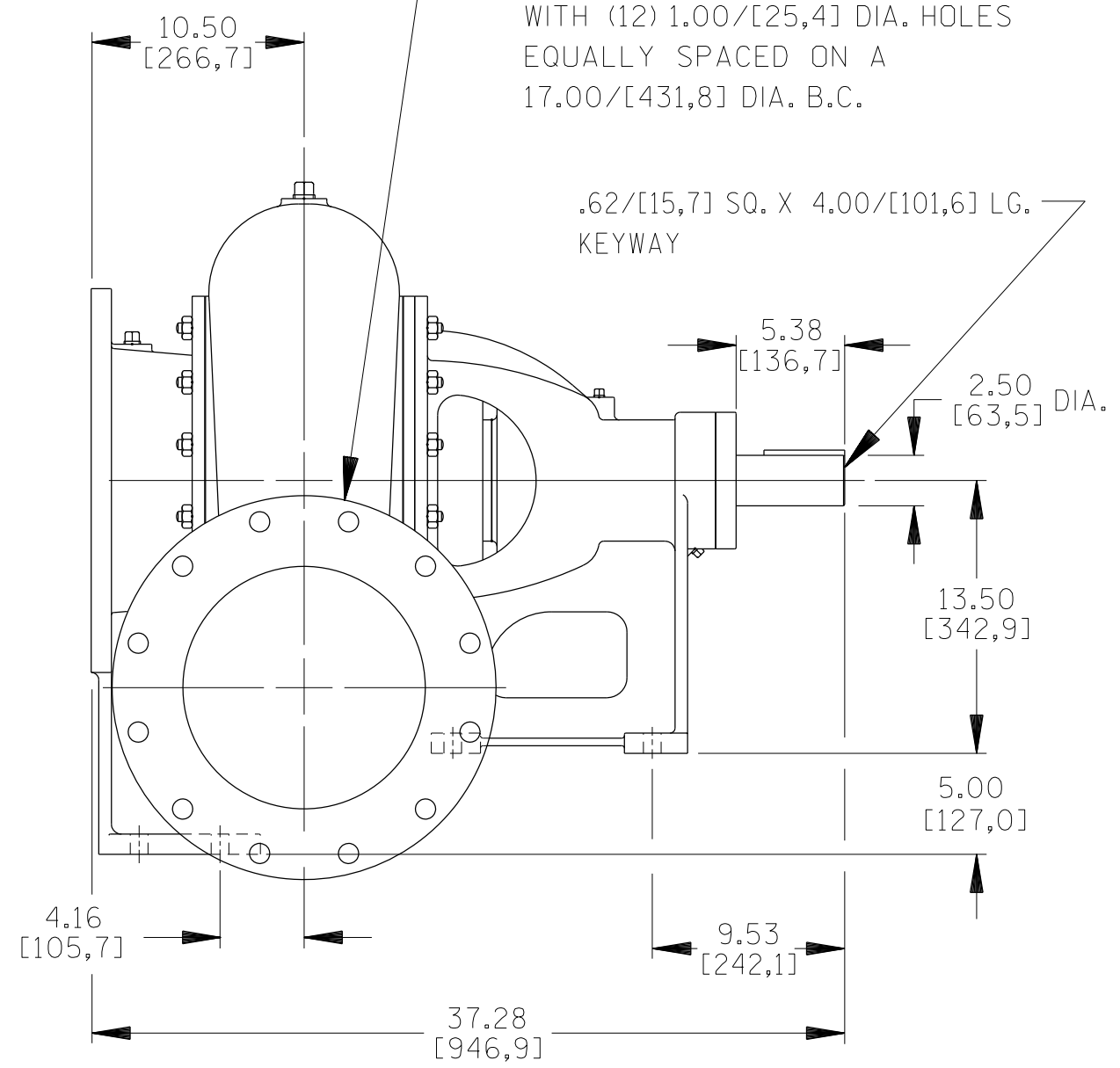


SUCTION FLANGE:
 19.00/[468,6] OD.
 X 12.00/[304,8] ID.
 WITH (12) 1.00/[25,4] DIA. HOLES
 EQUALLY SPACED ON A
 17.00/[431,8] DIA. B.C.



DIMENSIONS:
 INCHES
 [MILLIMETERS]

DISCHARGE FLANGE:
 19.00/[468,6] OD.
 X 12.00/[304,8] ID.
 WITH (12) 1.00/[25,4] DIA. HOLES
 EQUALLY SPACED ON A
 17.00/[431,8] DIA. B.C.



10-002

	THE GORMAN-RUPP CO. MANSFIELD, OHIO ST. THOMAS, ONTARIO		DRAWN BY MLK	SCALE 1/8	MODEL 612M-B
	DATE 11-1-95	REVISED 3-29-10	OUTLINE NUMBER 16631		