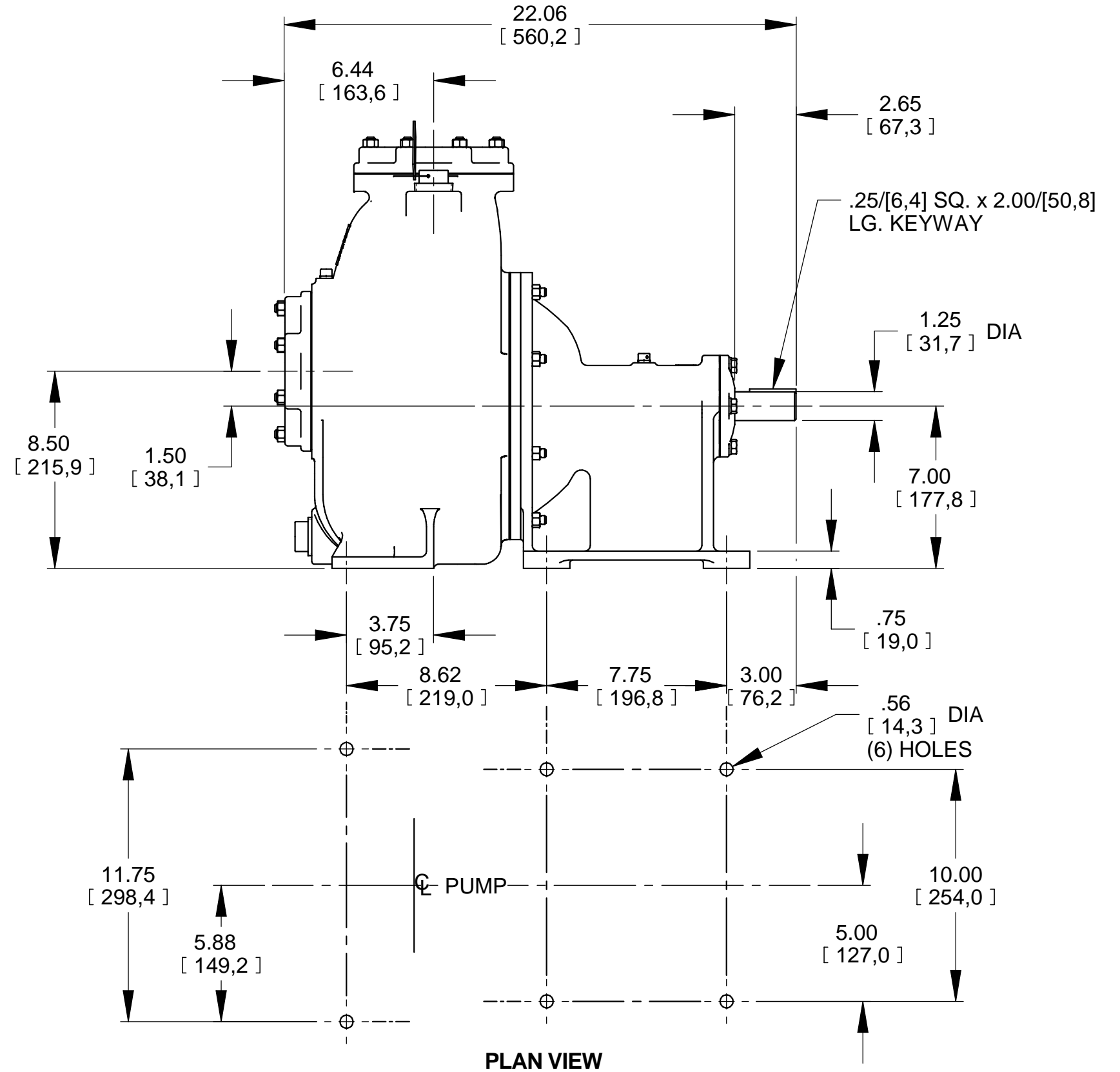
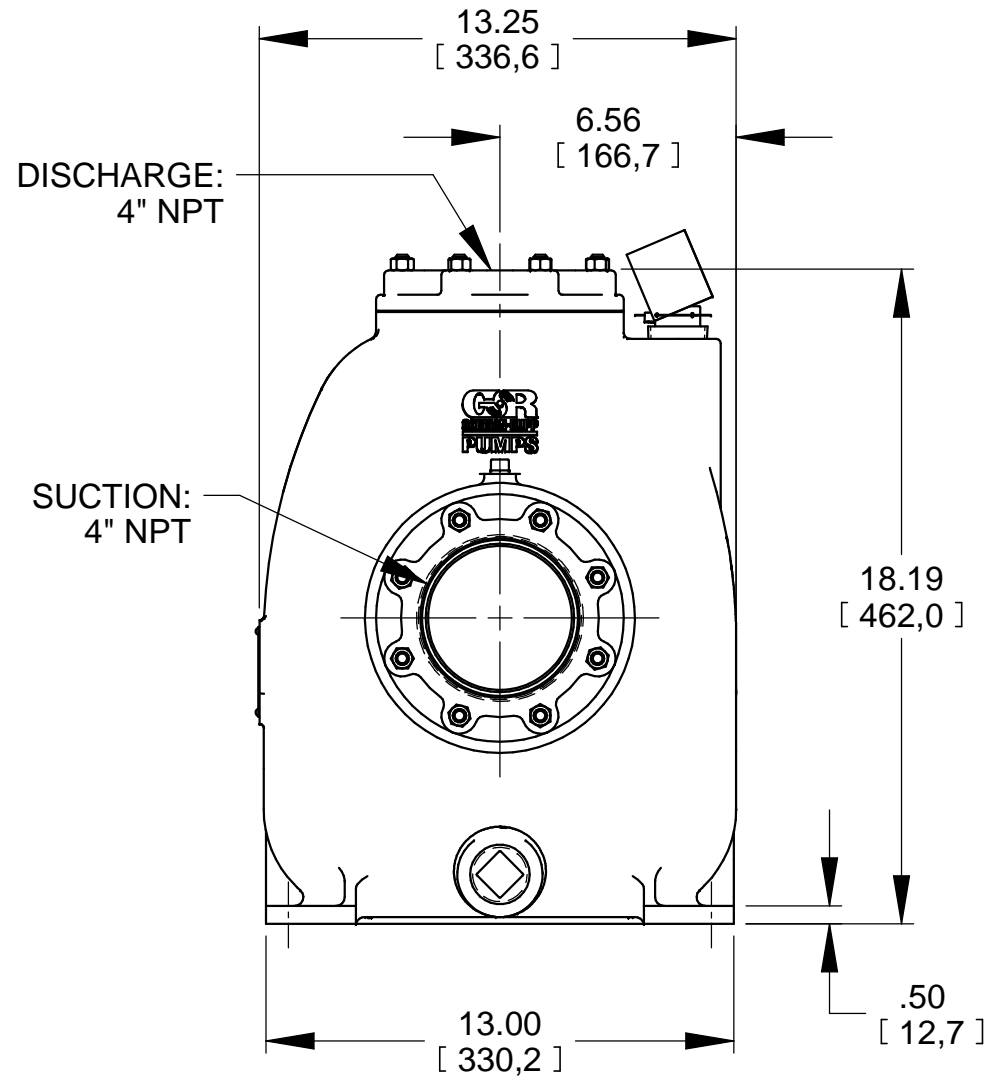


A-10390-A

B

10390A

SHEET  
1 OF 1



DIMENSIONS:  
INCHES  
[MILLIMETERS]

13-024



**THE GORMAN-RUPP CO.**  
MANSFIELD, OHIO ST. THOMAS, ONTARIO

DRAWN BY  
VFR  
DATE  
04/04/91

SCALE  
3/16  
REVISED  
08/27/13

MODEL  
04C-B  
OUTLINE NUMBER  
10390A