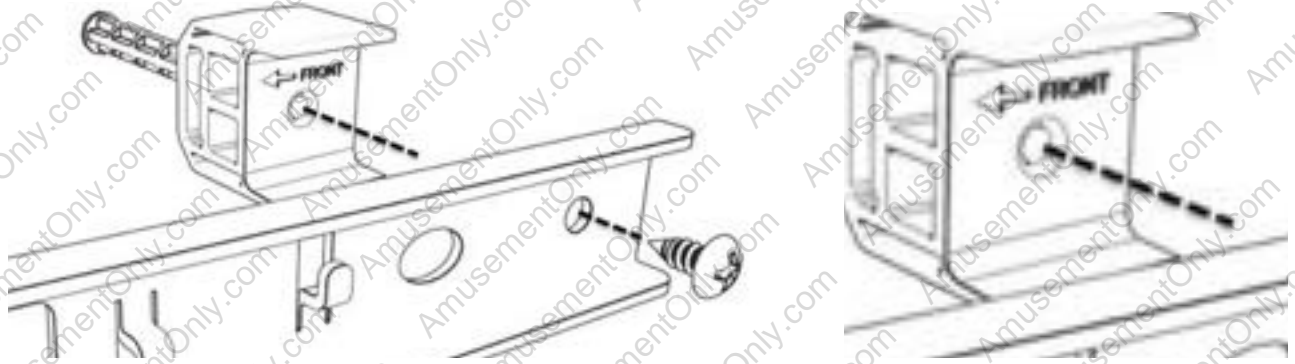




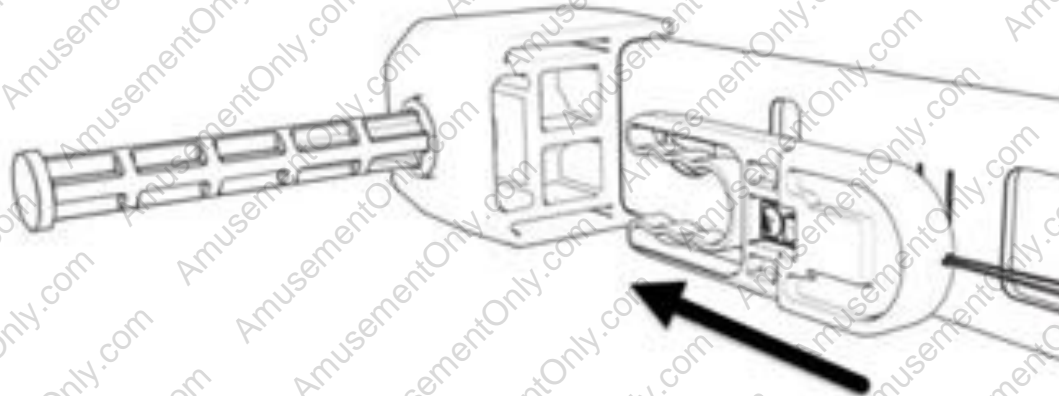
RELIANCE

Accessory Arm Installation Guide

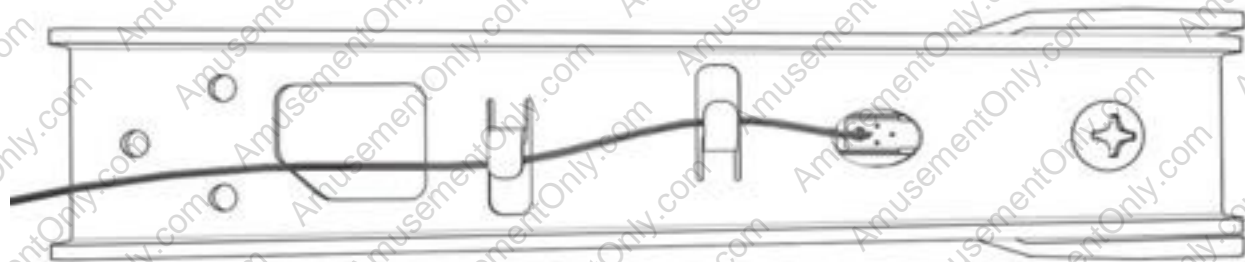
Install paper holder to paper arm ensuring arrow faces front of arm as shown:



Install the Paper Sensor Clip:



Route the clip cable as shown:



--- Continued on reverse side ---



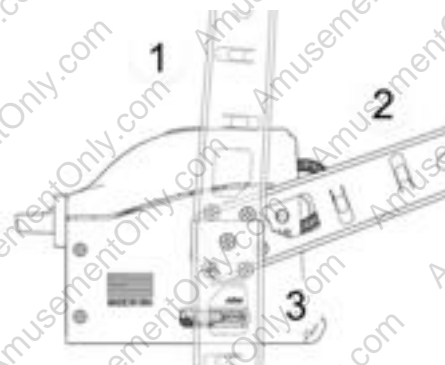
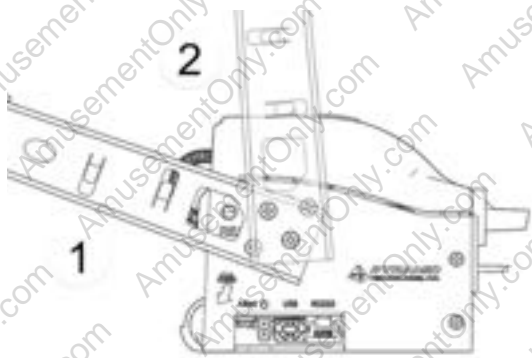
RELIANCE

Mount the Reliance Paper Arm onto your printer using the three screws (#6-32 Machine Screw, .1875" L) that were provided to you in any of the 5 positions pictured below:

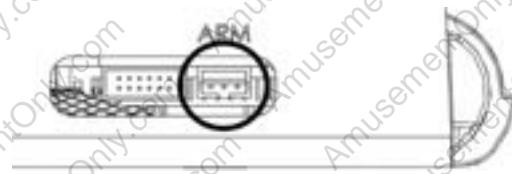
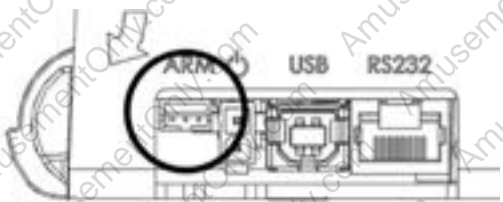


Right Side Mount

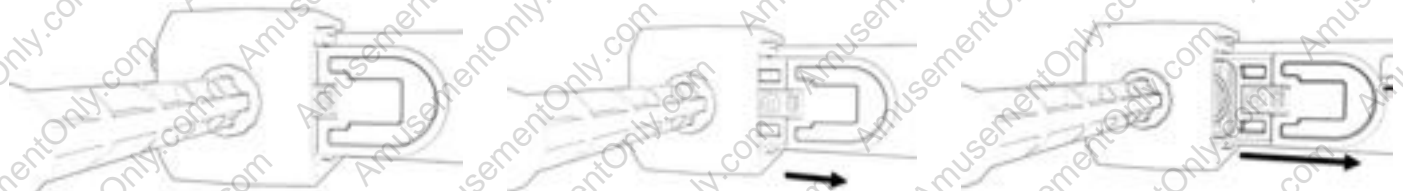
Left Side Mount



Connector Locations for the Arm Sensor



Pull Paper Sensor Clip to adjust distance for paper low detection



The sensor clip can be adjusted to three positions, allowing for adjustable low level paper detection. Pushing the Clip all the way in allows for the smallest amount of paper before sending a paper low signal. In the third position (Outermost) this allows for the largest amount of paper left on the roll before sending a paper low signal.