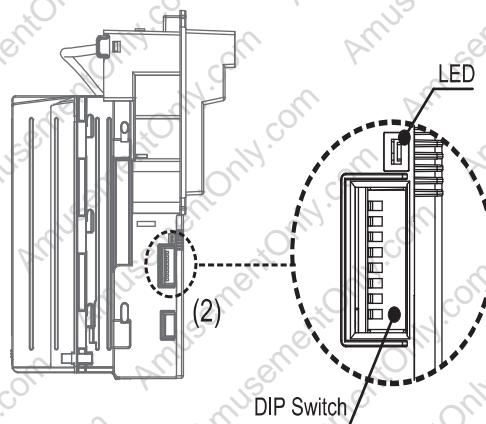


XBA-USD6 Option Switch Settings

Supported bill USD 1, 5, 10, 20, 50, 100 6bills.

| FUNCTION | SW1 | SW2 | SW3 | SW4 | SW5 | SW6 | SW7 | SW8 |
|--|-----|-----|-----|-----|-----|-----|-----|-----|
| ★ Reject USD 1 | ON | | | | | | | |
| ★ Accept USD 1 | OFF | | | | | | | |
| ★ Reject USD 5 | | ON | | | | | | |
| ★ Accept USD 5 | | OFF | | | | | | |
| ★ Reject USD 10 | | | ON | | | | | |
| ★ Accept USD 10 | | | OFF | | | | | |
| ★ Reject USD 20 | | | | ON | | | | |
| ★ Accept USD 20 | | | | OFF | | | | |
| ★ Reject USD 50 & 100 | | | | | ON | | | |
| ★ Accept USD 50 & 100 | | | | | OFF | | | |
| ★ Disable Bill Reject 4 Times BA Stop By 30 Sec | | | | | | ON | | |
| ★ Enable Bill Reject 4 Times BA Stop By 30 Sec | | | | | | OFF | | |
| ★ Stack Banknote when Power-up | | | | | | | ON | |
| ★ Reject Banknote when Power-up | | | | | | | OFF | |
| ★ Reserved | | | | | | | | ON |
| ★ Reserved | | | | | | | | OFF |

This dip switch is located at the side of XBA.



Currency Assign Data

| Interface Bill Value | Pulse | ICT104U | NISR | ccTalk | RS232A0 |
|----------------------|--------|---------|--------|--------|---------|
| BV1 | \$ 1 | \$ 1 | \$ 1 | \$ 1 | \$ 1 |
| BV2 | \$ 5 | \$ 5 | \$ 5 | \$ 5 | \$ 5 |
| BV3 | \$ 10 | \$ 10 | \$ 5 | \$ 10 | \$ 5 |
| BV4 | \$ 20 | \$ 20 | \$ 10 | \$ 20 | \$ 10 |
| BV5 | \$ 50 | \$ 50 | \$ 20 | \$ 50 | \$ 20 |
| BV6 | \$ 100 | \$ 100 | \$ 50 | \$ 100 | \$ 50 |
| BV7 | | | \$ 100 | \$ 100 | \$ 100 |

RS232 A0 INFORMATION

| Bill Type Data | |
|----------------|--------------|
| Code | Denomination |
| 1 | USA 1 |
| 2 | Reserved |
| 3 | USA 5 |
| 4 | USA 10 |
| 5 | USA 20 |
| 6 | USA 50 |
| 7 | USA 100 |

Appendix

XBA-USD6(Pulse/NISR/ccTalk/ICT104U/RS232 A0)

| FUNCTION | | | SW1 | SW2 | SW3 | SW4 | SW5 | SW6 | SW7 | SW8 |
|----------------------------|--|-------------------|-----|-----|-----|-----|-----|-----|-----|---------|
| Pulse Mode | ccTalk Mode | NISR Mode | | | | | | | | |
| Inhibit Active HIGH | Table 1 | No ERROR CODE | ON | | | | | | | |
| ★ Inhibit Active LOW | Table 1 | Send ERROR CODE | OFF | | | | | | | |
| Reserved | | | | ON | | | | | | |
| ★ Reserved | | | | OFF | | | | | | |
| ★ 50ms LO / 50ms HI | | | | | OFF | OFF | | | | |
| 50ms LO / 100ms HI | | | | | OFF | ON | | | | |
| 65ms LO / 75ms HI | | | | | ON | OFF | | | | |
| 100ms LO / 150ms HI | | | | | ON | ON | | | | |
| Reserved | | Standard Mode | | | | | ON | | | |
| Reserved | | ★ Customized Mode | | | | | OFF | | | |
| ★ Credit-Pulse Normal HIGH | ccTalk 16-bit Encryption mode & Restore Mode.(See Table.1) | | | | | | | ON | | |
| ★ Credit-Pulse Normal LOW | ccTalk 16-bit Decrypt mode & 8-bit checksum.(See Table.1) | | | | | | | OFF | | |
| ★ Pulse Mode | Pulse Mode | Pulse Mode | | | | | | | ON | |
| Other Mode | ★ Other Mode | ★ Other Mode | | | | | | | OFF | |
| ★ 1 pulse / USD 1 | ccTalk Mode | | | | | | | | | OFF OFF |
| ★ 2 pulses / USD 1 | RS232 A0 Mode | | | | | | | | | OFF ON |
| ★ 4 pulses / USD 1 | ICT104U Mode | | | | | | | | | ON OFF |
| ★ 20 pulses / USD 1 | NISR Mode | NISR Mode | | | | | | | | ON ON |

★ Manufacture setting

This dip switch is located on the CPU board, remove the CPU board cover first.

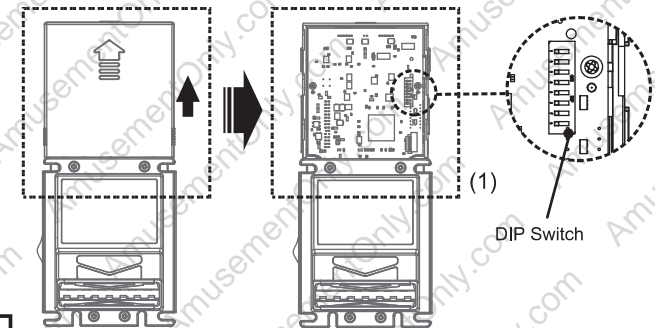


Table 1

| | SW1 | SW5 |
|--------------------------------|-----|-----|
| 8-Bit Checksum | OFF | OFF |
| Restore mode(Note.1) | OFF | ON |
| CRC 16-Bit Decrypt Checksum | ON | OFF |
| CRC 16-Bit Encryption Checksum | ON | ON |

*After setting dip switch of the credit pulses, you should reset the bill acceptor again.

- Note: 1. Turn this dip with restart the bill acceptor will restore
 2. CCTalk address to its default value of 40 and the encryption key to its default value of 123456.
 3. Calibration card is needed.