



MF1-V



MF1-C

Smart Card Reader

MF1-C MF1-V

Installation Guide

International Currency Technologies Corp.

Use of Materials Limitations

International Currency Technologies Corporation (ICT) all rights reserved.

All materials contained are the copyrighted property of ICT.

All trademarks, service marks, and trade names are proprietary to ICT.

ICT reserves the right at all times to disclose or to modify any information as ICT deems necessary to satisfy any applicable law, regulation, legal process or governmental request, or to edit, refuse to post or to remove any information or materials, in whole or in part, in ICT's sole discretion.

Contents

1. Introduction

| | |
|--------------------|---|
| 1-1. Features..... | 2 |
|--------------------|---|

2. Specifications.....3

3. Dimension

| | |
|-----------------|---|
| 3-1. MF1-C..... | 4 |
|-----------------|---|

| | |
|-----------------|---|
| 3-2. MF1-V..... | 5 |
|-----------------|---|

| | |
|-----------------------------|---|
| 3-3. CMAG Card Station..... | 6 |
|-----------------------------|---|

4. Components

| | |
|-----------------|---|
| 4-1. MF1-C..... | 7 |
|-----------------|---|

| | |
|-----------------|---|
| 4-2. MF1-V..... | 8 |
|-----------------|---|

5. Installation

| | |
|-------------------------------|---|
| 5-1. Harness Application..... | 9 |
|-------------------------------|---|

5-2. Operation

| | |
|----------------------------|----|
| 5-2-1. DIP SW Setting..... | 13 |
|----------------------------|----|

| | |
|--------------------------|----|
| 5-2-2. Instructions..... | 13 |
|--------------------------|----|

| | |
|---------------------------------------|----|
| 5-2-3. Connector (Power & Pulse)..... | 14 |
|---------------------------------------|----|

| | |
|-------------------------------------|----|
| 5-2-4. Connection-Credit Relay..... | 15 |
|-------------------------------------|----|

| | |
|-----------------------------|----|
| 5-3. Software Download..... | 16 |
|-----------------------------|----|

| | |
|---------------------------|----|
| 5-4. Indicate status..... | 19 |
|---------------------------|----|

1. Introduction

1-1. Features

CMAG Card Station can add/delete credit on the G Card and store daily transactions up to one month.

- ◆ Open Card functions available for easy operation management.
- ◆ Pulse specifications can be set.
- ◆ User ID and password are necessary when adding value.
- ◆ Hopper mode available for payout.
- ◆ Capable of setting availability date for user cards.

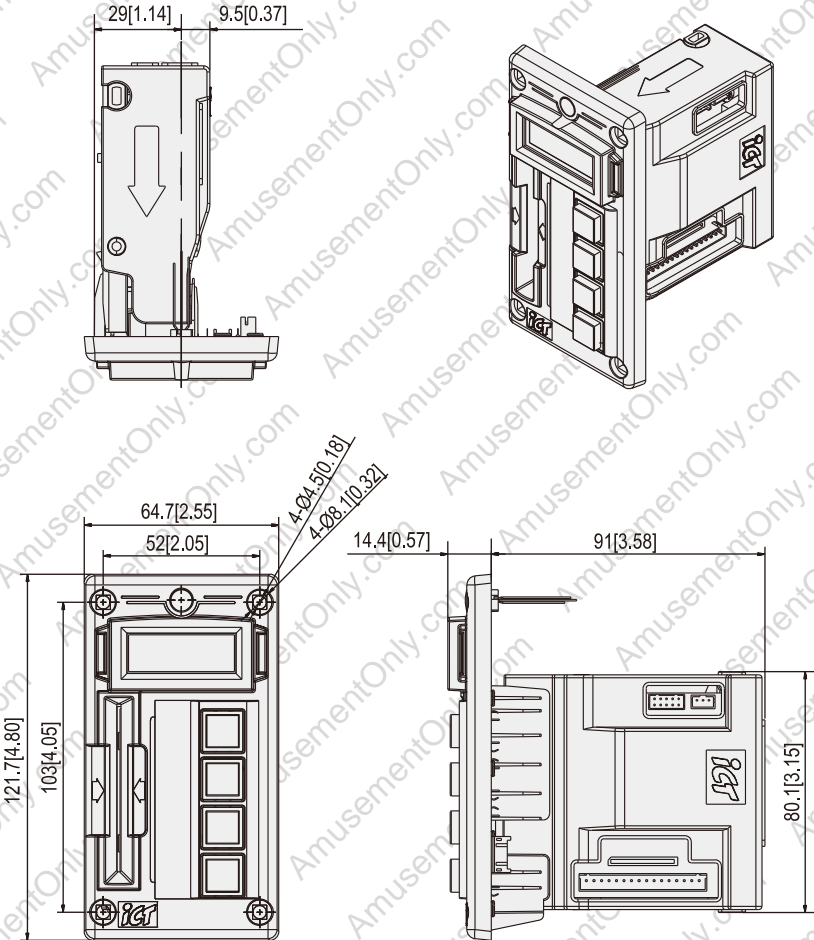
2. Specifications

| | |
|--------------------------------------|---|
| Card | Mifare S50 |
| Power Input | DC 12V±5% |
| Power Consumptions | RFID for CA Bezel: <300mA CMAG Card Station :<1A |
| Read Card Speed(Insert/Leave) | ≤0.3sec. |
| Clock Module | Build in Clock Function for Record Trade List |
| FRAM | Record Business Transaction and Setup Parameter |
| Button | MF1-C/ MF1-V: Four Credit Button (Ex: US\$ 1,5,10,20) CMAG Card Station: Setup Credit (Keypad) |
| Interface | MF1-C: Pulse, RS232 MF1-V: VCCS (VCCS box) |
| Credit Operating | Send Different Credit (Four Push-Button) |
| Environment | Operating Temperature: 0°C~55°C Storage Temperature:-20°C~70°C Humidity: 30%~85%RH (no condensation) |
| ESD | 10KV(A Class); 15KV(B Class) |
| Write endurance | 100000 cycles |
| Product Warranty | 1 year |

MF1-C/MF1-V

3. Dimension

3-1. MF1-C

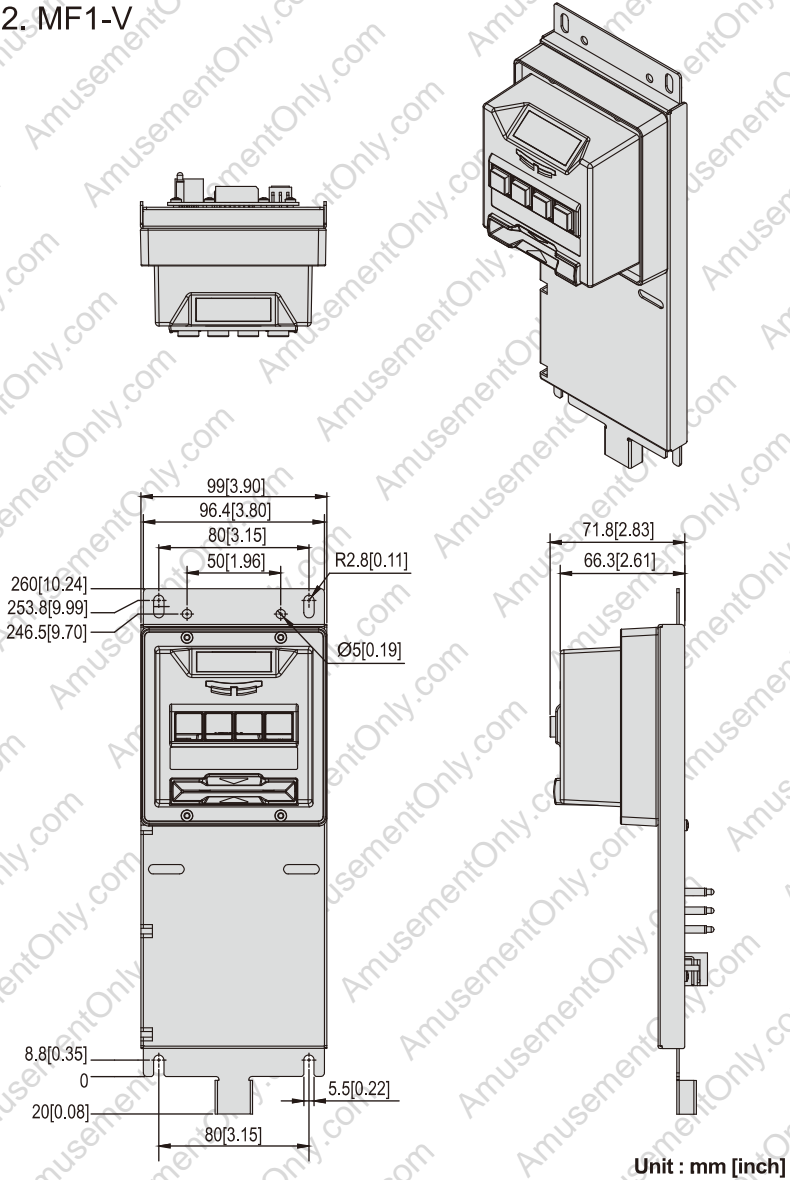


Unit : mm [inch]

3-1 FIG.01

MF1-C/MF1-V

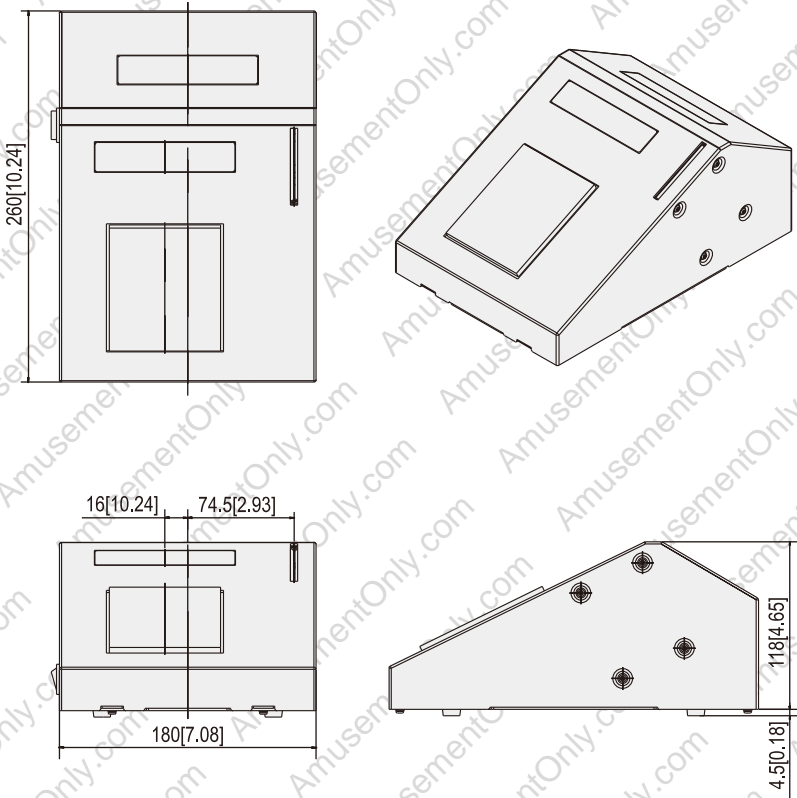
3-2. MF1-V



3-2 FIG.01

MF1-C/MF1-V

3-3. CMAG Card Station

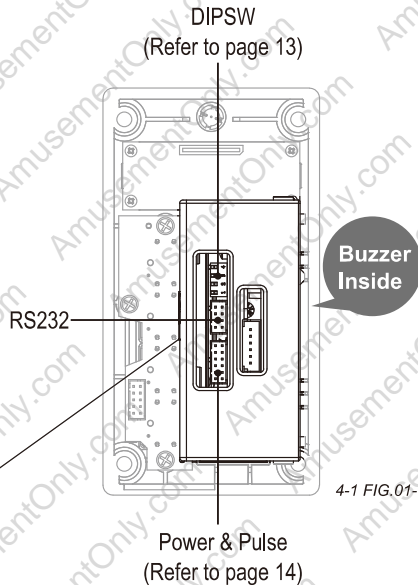
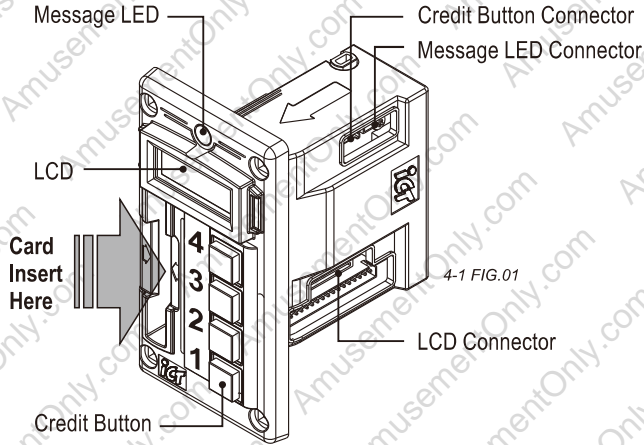


Unit : mm [inch]

3-3 FIG.01

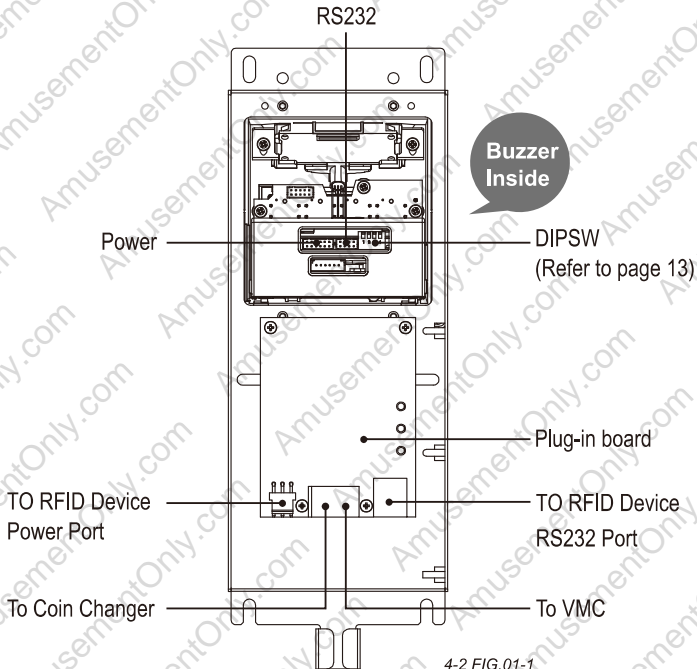
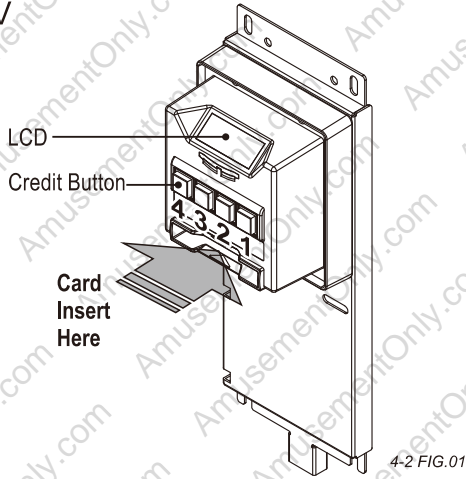
4. Components

4-1. MF1-C



MF1-C/MF1-V

4-2. MF1-V



5. Installation

5-1. Harness Application

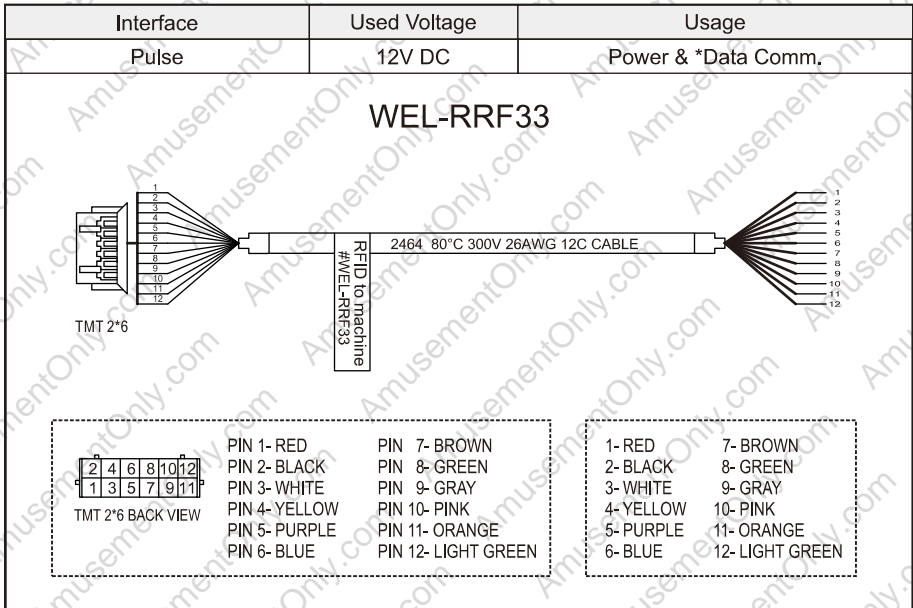
5-1 TABLE 01

| Model | Interface board | Interface | Used Voltage | Usage | Harness | Page |
|-------|-------------------------------|-----------|--------------------|---------------------|-------------|------|
| MF1-C | N/A | Pulse | 12V DC | Power & *Data Comm. | WEL-RRF33 | 9 |
| | | RS232 | N/A | *Data Comm. | WEL-RNK10 | 10 |
| MF1-V | 3BA-RAA366-AX-0X (AA366XX) | VCCS | 12V DC (Output) | Power & *Data Comm. | WEL-RRF37 | 11 |
| | | | 24V DC (Input) | Power & *Data Comm. | WEL-RRSVC03 | 12 |

* Data Comm. : Data Communication.

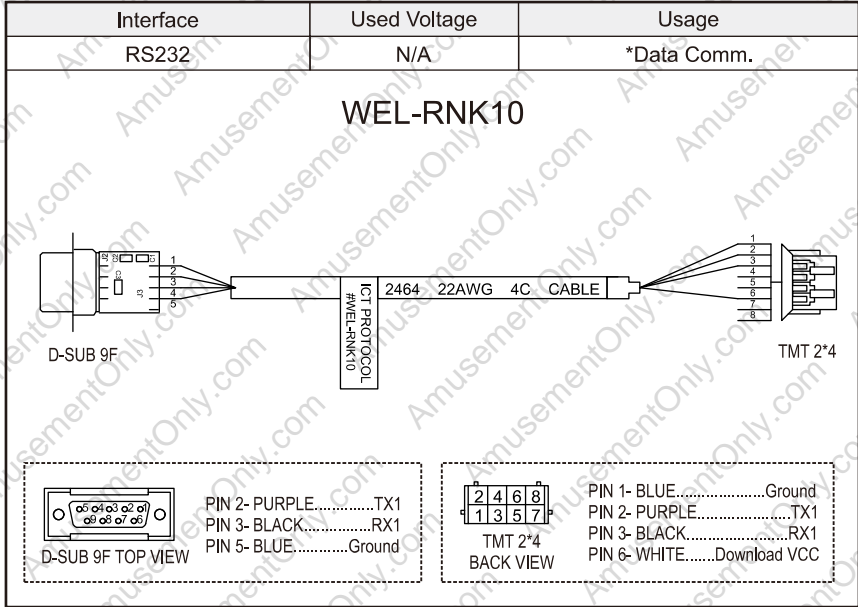
X: PCA, PCB version, will update if need.

5-1 FIG.01



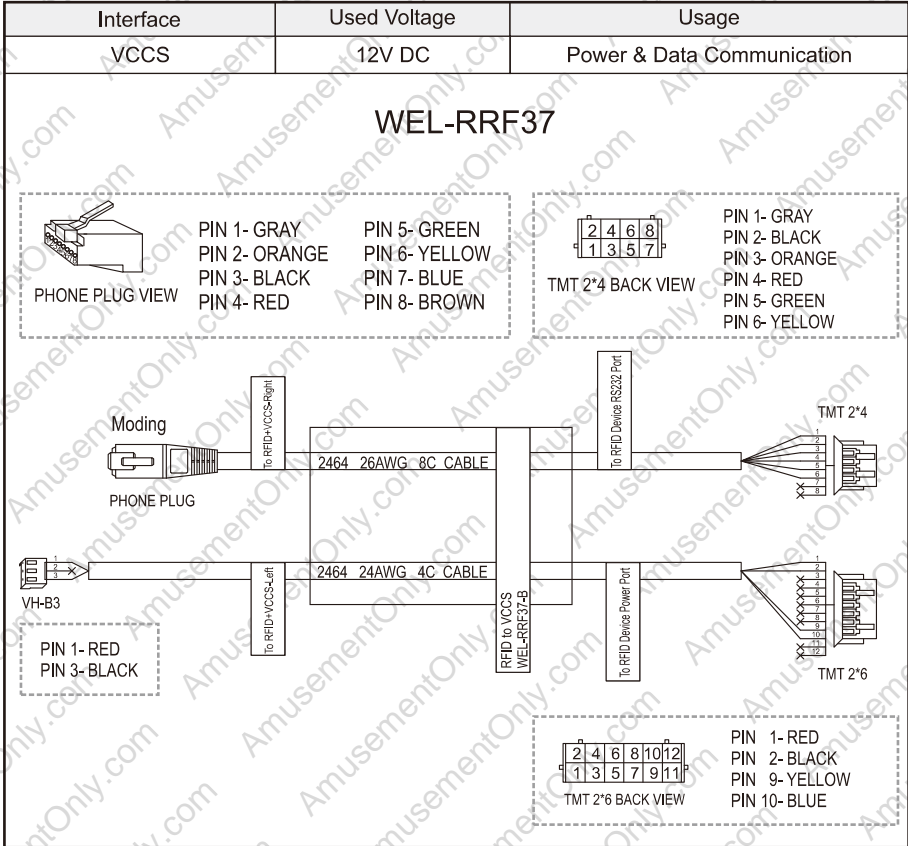
MF1-C/MF1-V

5-1 FIG.02



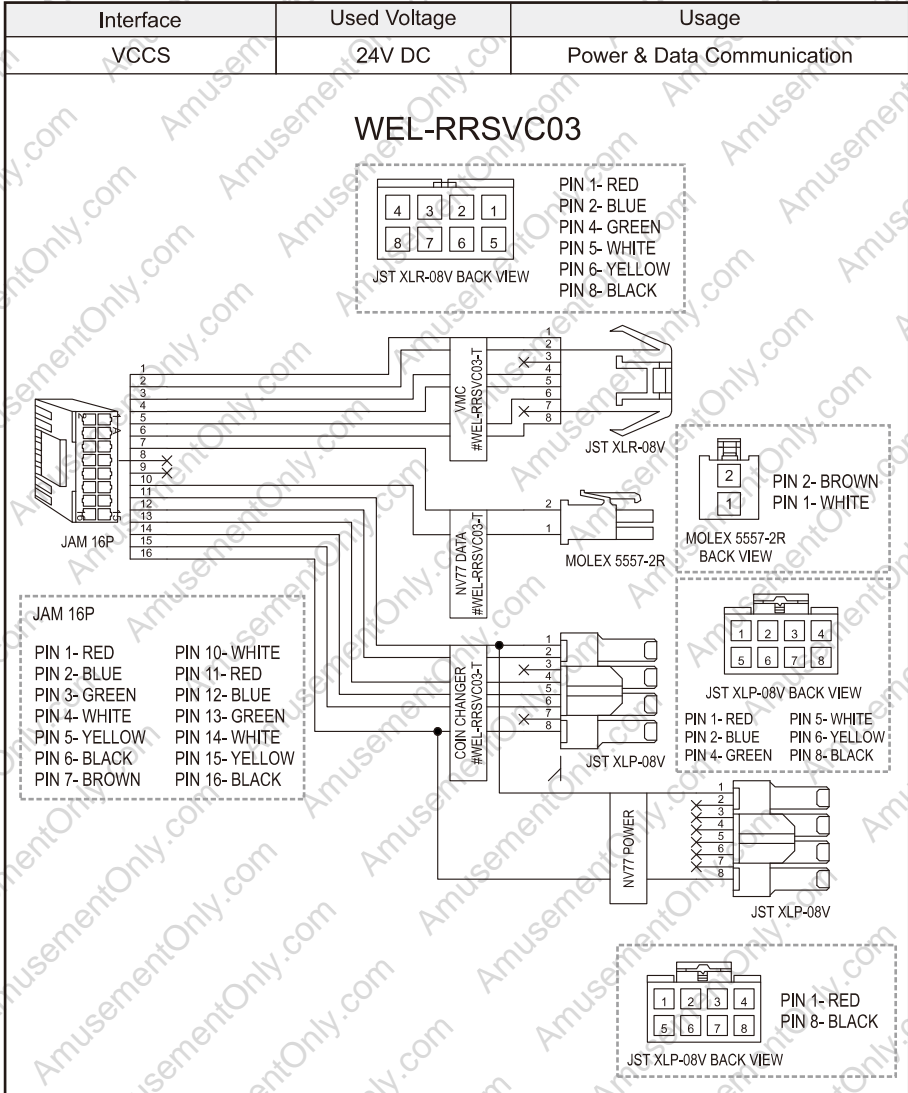
MF1-C/MF1-V

5-1 FIG.03



MF1-C/MF1-V

5-1 FIG.04



5-2. Operation

5-2-1. DIP SW Setting

5-2-1 TABLE 01

| Status | SW1 | SW2 | SW3 | SW4 |
|---|-----|-----|-----|-----|
| RFID Credit Output N.C | OFF | | | |
| RFID Credit Output N.O | ON | | | |
| Hopper Credit Output N.C | | OFF | | |
| Hopper Credit Output N.O | | ON | | |
| Interface Pulse+Hopper Mode | | | OFF | |
| Interface ICT Mode (MF1-V default) | | | ON | |
| By Cup | | | | OFF |
| By Credit | | | | ON |

5-2-2. Instructions

(1) Idling.

Welcome
18:28:06

(2) Inhibit by Game Machine.

Function Disable
By Controller

(3) Insert Correct Card.

Credit:
5000

(4) Insert Wrong Card.

Store PW ERROR
Check The Card

Money CheckSum
Confirm Error!!

(5) Deduct Credit from card
to Game Machine.

Credit:
4999

5-2-3. Connector (Power & Pulse)

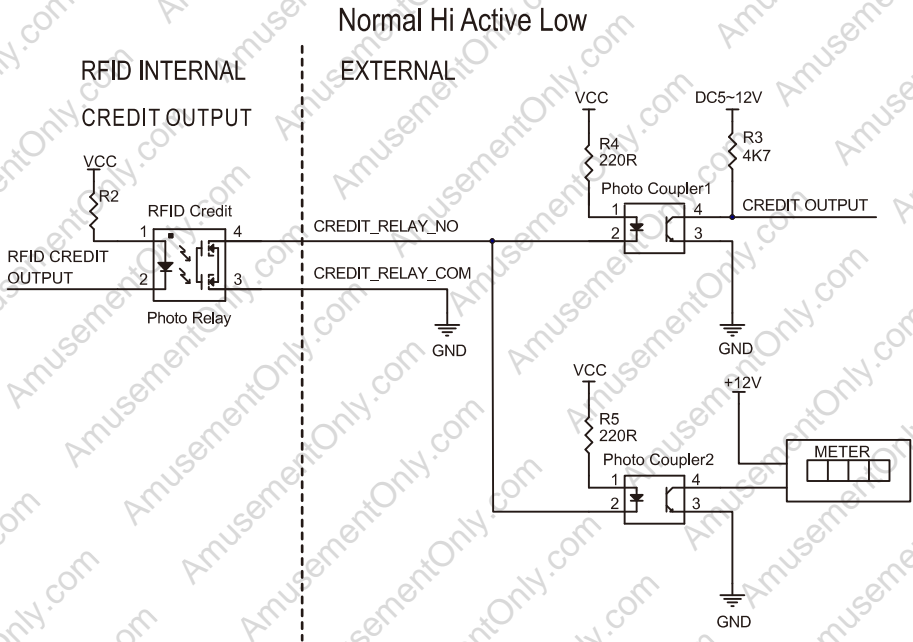
| | | | | | |
|---|---|---|---|----|----|
| 2 | 4 | 6 | 8 | 10 | 12 |
| 1 | 3 | 5 | 7 | 9 | 11 |

5-2-3 FIG.01

5-2-3 TABLE 01

| PIN No. | Name | Pulse Mode | Hopper Mode | RS232 Mode |
|---------|-------------------|------------|------------------------|------------|
| 1 | Power IN +12VDC | IN | IN | IN |
| 2 | Power IN GND | IN | IN | IN |
| 3 | Payout_Credit_IN+ | IN | | N/A |
| 4 | Payout_Credit_IN- | IN | | N/A |
| 5 | Credit_Relay_NO | OUT | | N/A |
| 6 | Credit_Relay_COM | OUT | | N/A |
| 7 | Inhibit+ | IN | | N/A |
| 8 | Inhibit- | IN | | N/A |
| 9 | ADJUST RTC Time | | | N/A |
| 10 | Hopper_Credit_NO | | OUT | N/A |
| 11 | Hopper_Credit_COM | | OUT | N/A |
| 12 | SSR (Active Low) | | IN (Hopper Trigger) | N/A |

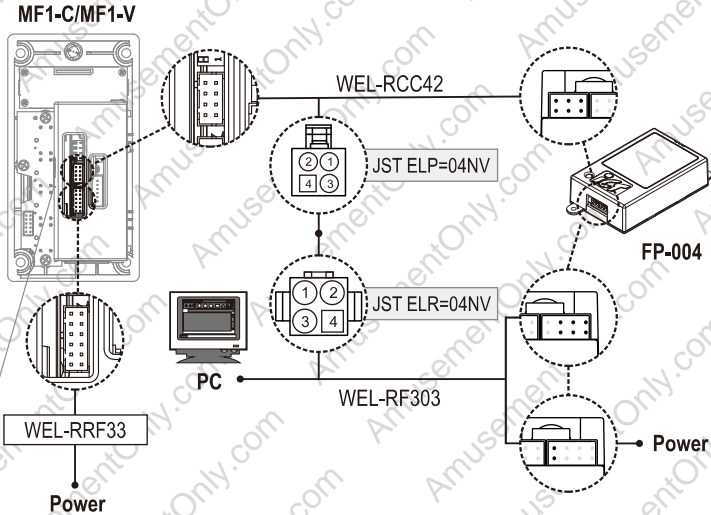
5-2-4. Connection-Credit Relay



MF1-C/MF1-V

5-3. Software Downloading

Step 1. Connection



Step 2. Launch software FP-004.

Download FP-004 from <http://www.ictgroup.com.tw/> ➔ support

Step 3. Use notepad to edit file "FP-004x.INI".

The com port setting varies according to the connection on PC.

```
[COM PORT SETTING]
PORT=COM1
BAUD=115200
DATA=8
STOP=1
PARITY=E
```

Step 4. Select the appropriate model under bill acceptor type.



5-3 FIG.01

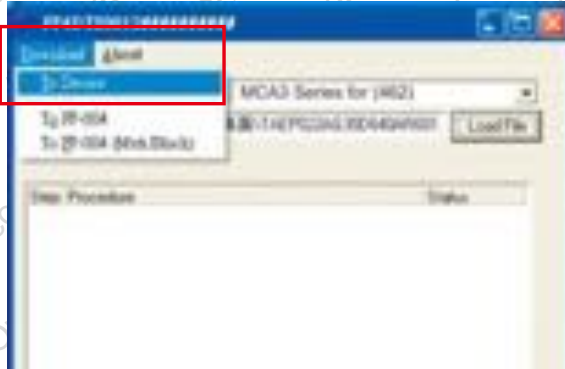
Step 5. Retrieve the firmware path.
(Drag the firmware (hex file) into FP-004 window.)



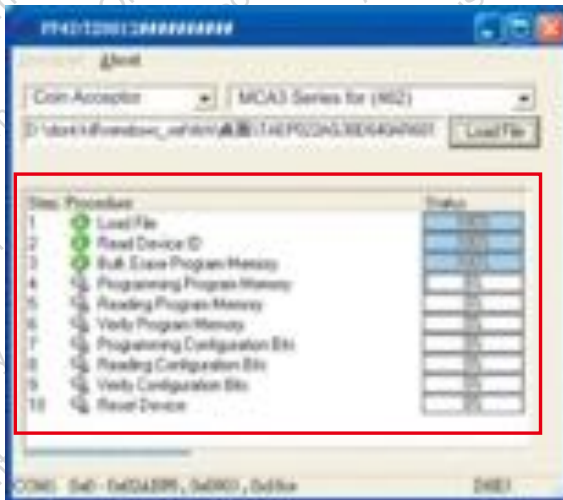
5-3 FIG.02

MF1-C/MF1-V

Step 6. Download firmware to target through FP-004.



5-3 FIG.03



5-3 FIG.04

Step 7. Complete downloading.
Firmware is saved in FP-004 now.

5-4. Indicate status

5-4 TABLE 01

| Message LED | | | |
|----------------|-------|-----|---------|
| Status | Green | Red | Buzzer |
| Power ON | OFF | | NA |
| Recognize card | OFF | | 2 Beeps |
| Deal OK | ON | | 1 Beep |
| Deal NG | | ON | 3 Beeps |

5-4 TABLE 02

| LCD Display | | | |
|---|-----------------|------|-----|
| Display Format: 16 characters (W)×2 lines (H) | | | |
| | Backlight Color | Word | Qty |
| MF1-C/MF1-V | White | Gray | 1 |
| CMAG Card Station | White | Gray | 2 |

MF1-C/MF1-V

MF1-C/MF1-V



Taiwan

International Currency Technologies Corporation

No.28, Ln. 15, Sec. 6, Minquan E. Rd., Neihu Dist., Taipei City 114, Taiwan

sales@ictgroup.com.tw (For Sales)

fae@ictgroup.com.tw (For Customer Service)

Website: www.ictgroup.com.tw

