



Bill Acceptor

A6 / V6

Installation Guide *Series*

International Currency Technologies Corp.

Use of Materials Limitations

International Currency Technologies Corporation (ICT) all rights reserved.

All materials contained are the copyrighted property of ICT.

All trademarks, service marks, and trade names are proprietary to ICT.

ICT reserves the right at all times to disclose or to modify any information as ICT deems necessary to satisfy any applicable law, regulation, legal process or governmental request, or to edit, refuse to post or to remove any information or materials, in whole or in part, in ICT's sole discretion.

Contents

1. Introduction

1-1. Overview	2
1-2. Features	2

2. Specifications

2

3. Packing List

3

4. Dimension

4

4-1. Bezel Styles	6
-------------------------	---

5. Installation

5-1. Harness Application	9
5-1-1. I/O Circuit	19
5-2. DIP Switch Setting	23
5-3. Software Download and Upgrade	23

6. Maintenance

24

7. Troubleshooting

25

1. Introduction

1-1. Overview

A6/V6 Series is a bill acceptor which features not only high-security module with bill box but also outstanding recognition, acceptance rate up to 96% or even greater.

1-2. Features

- Four way bill insertion acceptance.
- Auto-calibrating.
- Numerous interfaces available.
- Easily Install & Maintain.

2. Specifications

General

Acceptance Rate	96 % or greater
Bill Insertion	Four way acceptable
Transaction Speed	Approx. 3 seconds to stack
Interface	A6- STD Pulse, 5V ENABLE, ICT Protocol, Single price. V6- MDB

Electrical

Power Source	A6- 12V DC(11.4~12.6V DC) 117V AC(105.3~128.7V AC) V6- 24V/34V DC(20V~42.5V DC)
--------------	---

Power Consumption**A6- 12V DC**

Standby : 0.3A, 4W

Operation: 0.9A, 11W

Maximum: 2.6A, 32W

117V AC

Standby : 0.06A, 7W

Operation: 0.112A, 14W

Maximum: 0.4A, 47W

V6- 24V/34V DC

Standby : 0.15A, 6W

Operation: 0.4A, 14W

Maximum: 1.35A, 46W

Operation Environment

Operation Temperature: 0°C~55°C

Storage Temperature : -30°C~70°C

Humidity: 30%~85% RH(no condensation)

Mechanical**Bill Capacity**

Approx. 100 bills(40~ 140)

300 bills(200~ 300)

500 bills(300~ 500)

550 bills(440~ 640)

800 bills(750~ 850)

1000 bills(1000~1140)

Bill Width Accepted

60~67 mm

Weight

Approx. 2kg(shipping)

Installation

Indoor

3. Packing List**Main**

Bill Acceptor

Accessory

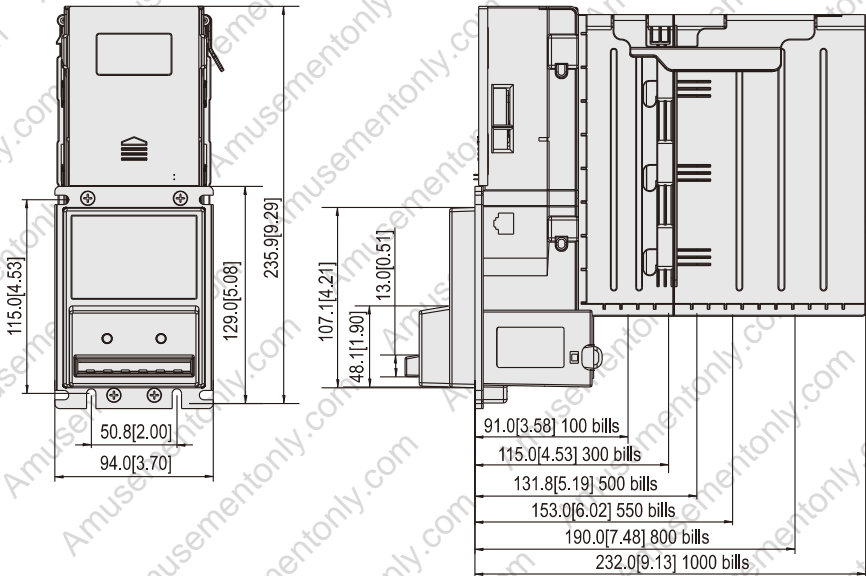
Harnesses: Refer to 5-1

A6/V6 Installation Guide

A6/V6 Switches Setting Guide

4. Dimension

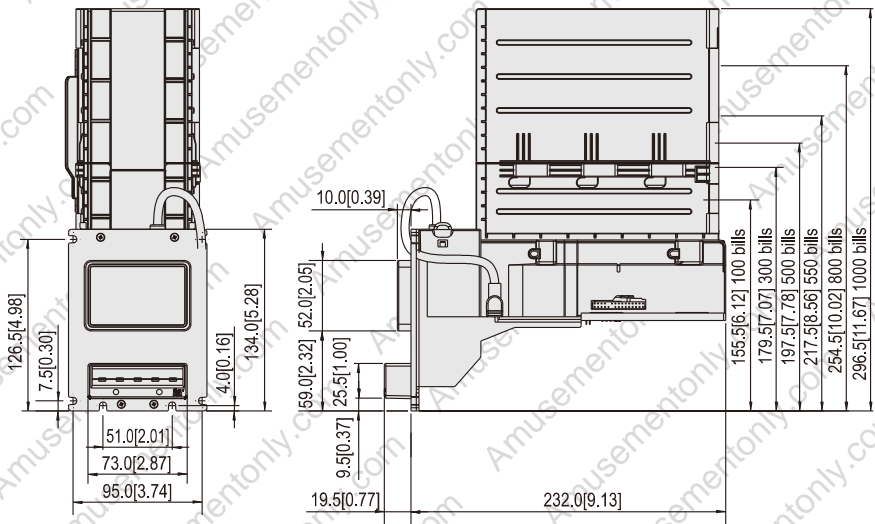
Vertical



Unit : mm [inch]

4 FIG. 01

Horizontal



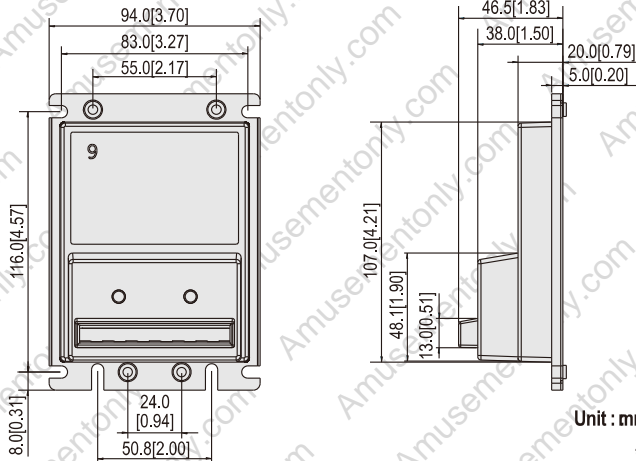
Unit : mm [inch]

4 FIG. 02

4-1. Bezel Styles

Standard bezel

Part Number: 3RMB-FAC01001

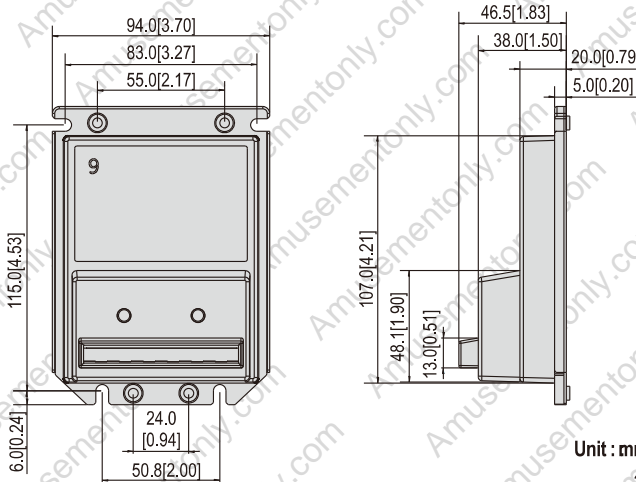


Unit : mm [inch]

4-1 FIG.01

Fitted bezel

Part Number: 3RMB-FAC02000

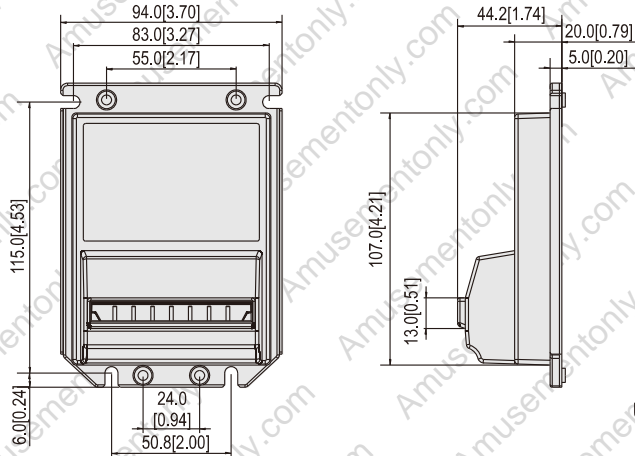


Unit : mm [inch]

4-1 FIG.02

Anti-coin Bezel

Part Number: 3RMB-FAC16002

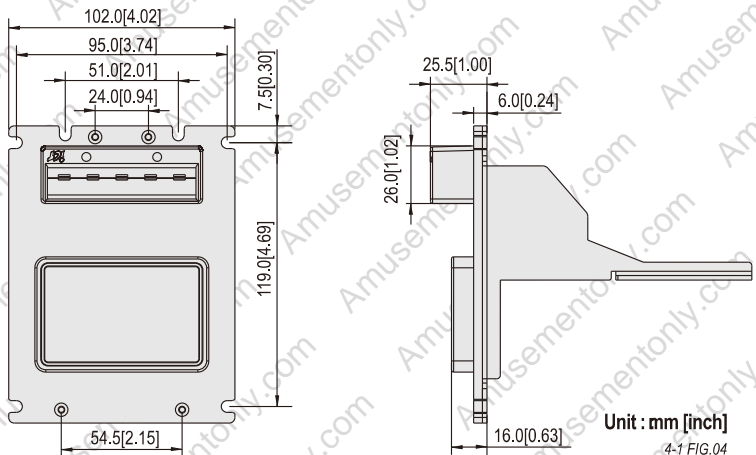


Unit : mm [inch]

4-1 FIG.03

Horizontal Bezel

Part Number: 3RMB-FAC10000



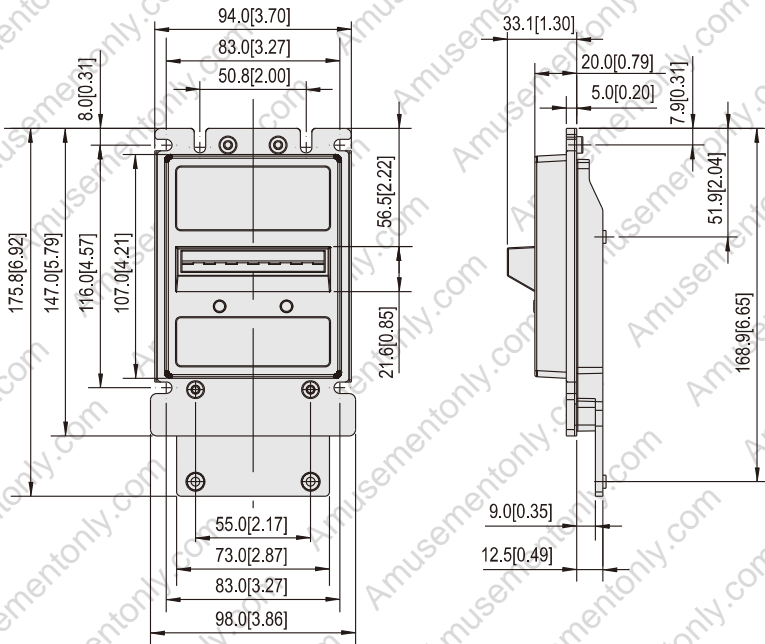
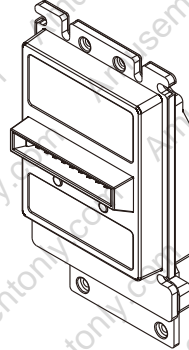
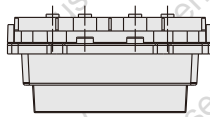
Unit : mm [inch]

4-1 FIG.04

A6/V6

For VFM bezel

Part Number: 3RMB-FAC23000



Unit : mm [inch]

4-1 FIG.05

5. Installation

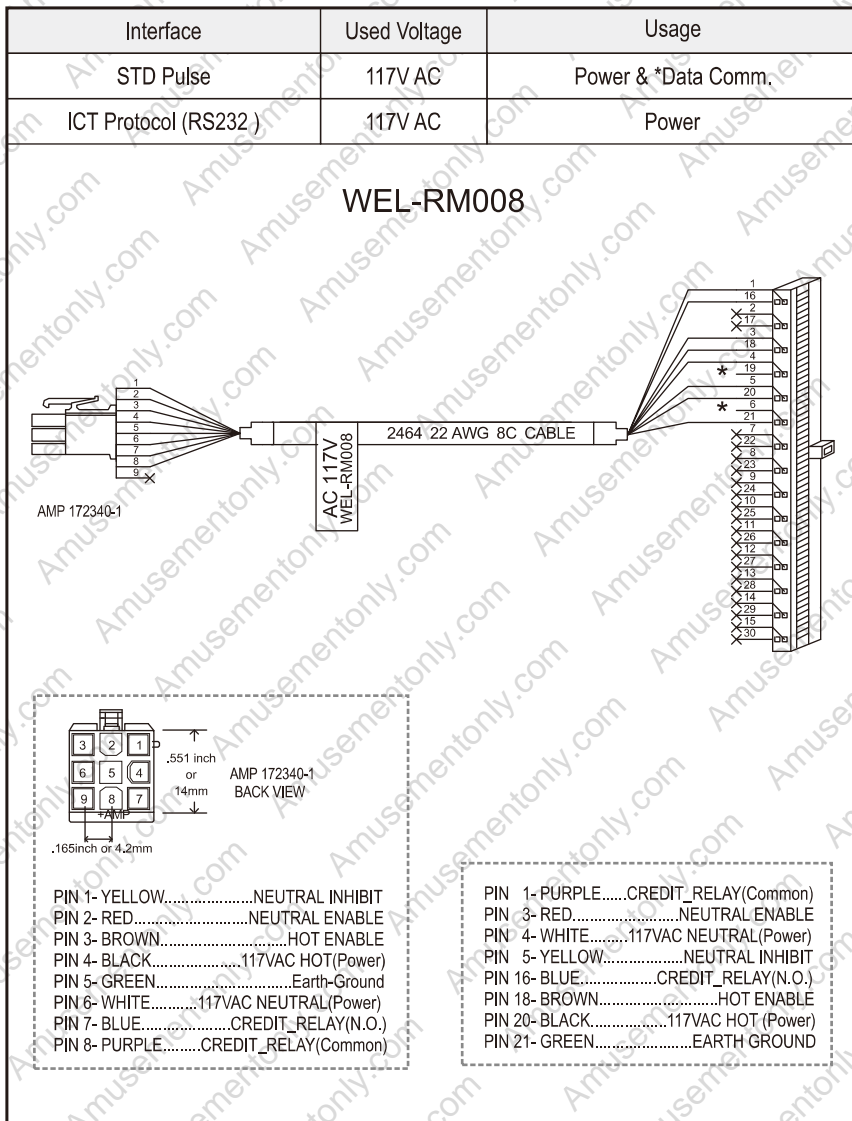
5-1. Harness Application

5-1 TABLE 01

Model	Interface	Used Voltage	Usage	Harness	Page
A6	STD Pulse	117V AC	Power & *Data Comm.	WEL-RM008	10
			Extension Wire	WEL-RM012	11
		12V DC	Power & *Data Comm.	WEL-RM007	12
			Extension Wire	CU-R961-1	13
	5V Enable	117V AC	Power & *Data Comm.	WEL-RM017	14
			Extension Wire	WEL-RM018	15
	ICT Protocol (RS232)	12V DC	Power	WEL-RM007	12
			Extension Wire	CU-R961-1	13
			*Data Comm.	WEL-RV706-1 or 2-BA-RV706	16
		117V AC	Power	WEL-RM008	10
			Extension Wire	WEL-RM012	11
			*Data Comm.	WEL-RV706-1 or 2-BA-RV706	16
	Single Price	117V AC	Power & *Data Comm.	WEL-RM031	18
	V6	MDB	24V/34V DC	Power & *Data Comm.	WEL-RM006

*Data Comm. : Data Communication.

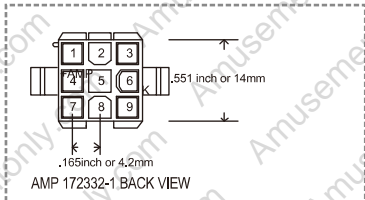
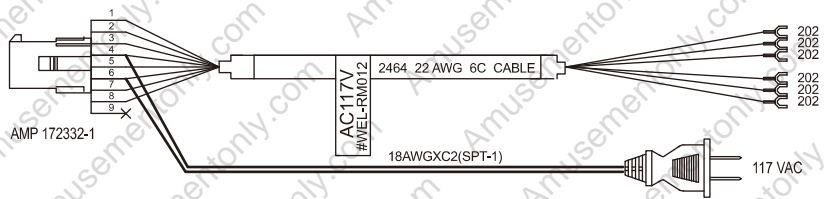
5-1 FIG.01



5-1 FIG.02

Interface	Used Voltage	Usage
STD Pulse	117V AC	Extension Wire for WEL-RM008
ICT Protocol (RS232)	117V AC	Extension Wire for WEL-RM008

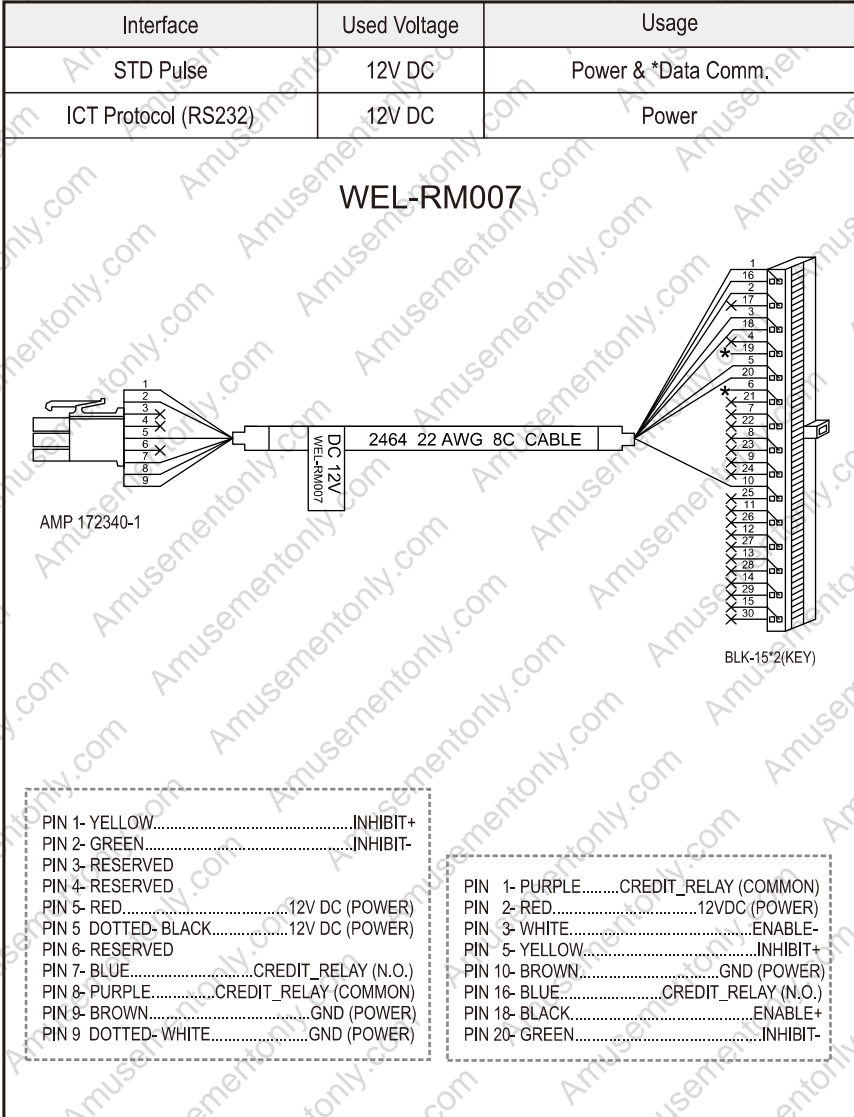
WEL-RM012



- PIN 1- YELLOW.....NEUTRAL INHIBIT
- PIN 2- RED.....NEUTRAL ENABLE
- PIN 3- ORANGE.....HOT ENABLE
- PIN 4- BLACK.....17VAC HOT (Power)
- PIN 5- GREEN.....Earth - Ground
- PIN 6- BLACK.....117VAC NEUTRAL (Power)
- PIN 7- BLUE.....CREDIT_RELAY (N.O.)
- PIN 8- PURPLE.....CREDIT_RELAY (Common)
- PIN 9- Reserved

- YELLOW.....NEUARAL INHIBIT
- RED.....NEUTRAL ENABLE
- ORANGE.....HOT ENABLE
- GREEN.....Earth - Ground
- BLUE.....CREDIT_RELAY (N.O.)
- PURPLE.....CREDIT_RELAY (Common)

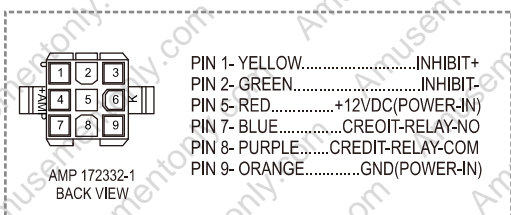
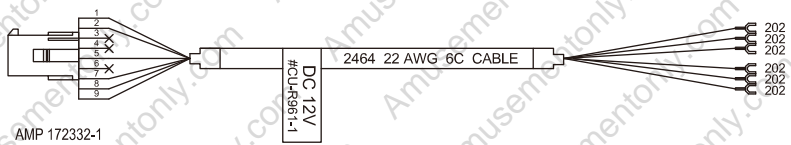
5-1 FIG. 03



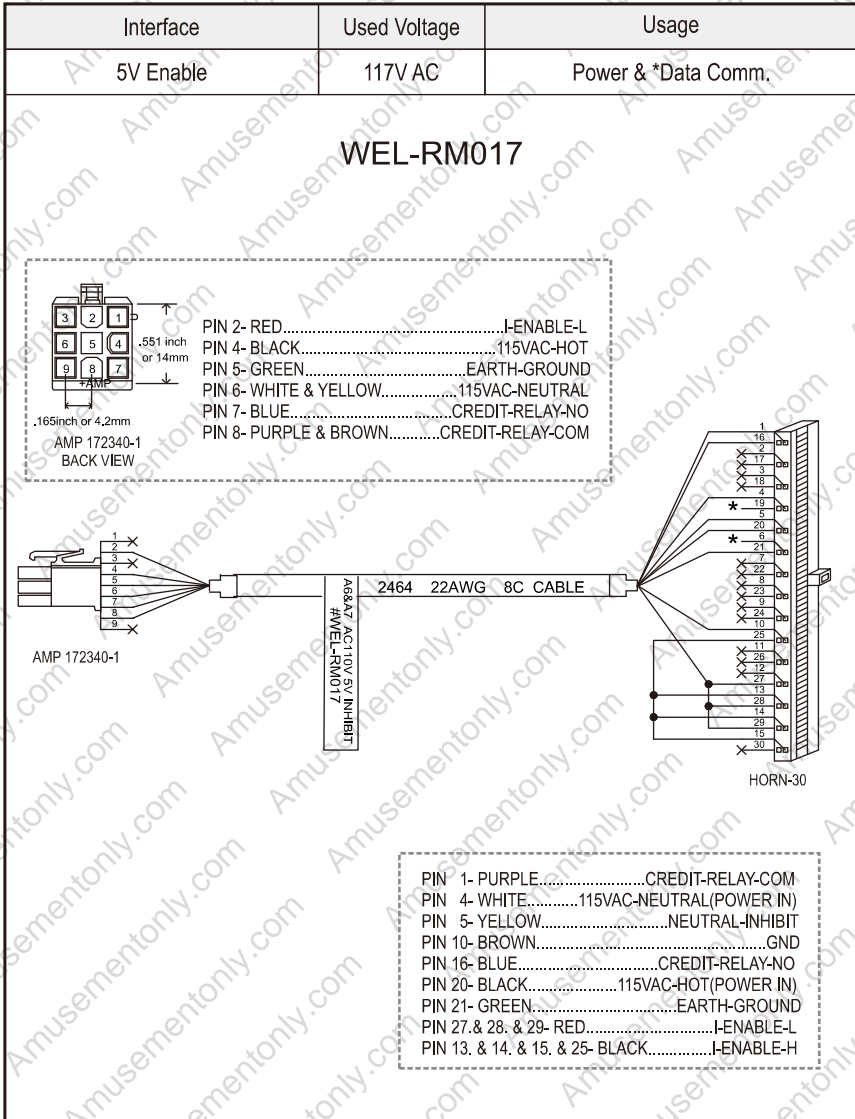
5-1 FIG. 04

Interface	Used Voltage	Usage
STD Pulse	12V DC	Extension Wire for WEL-RM007
ICT Protocol (RS232)	12V DC	Extension Wire for WEL-RM007

CU-R961-1



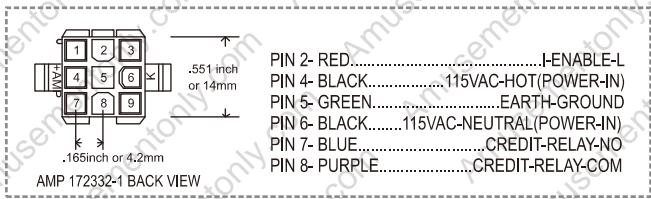
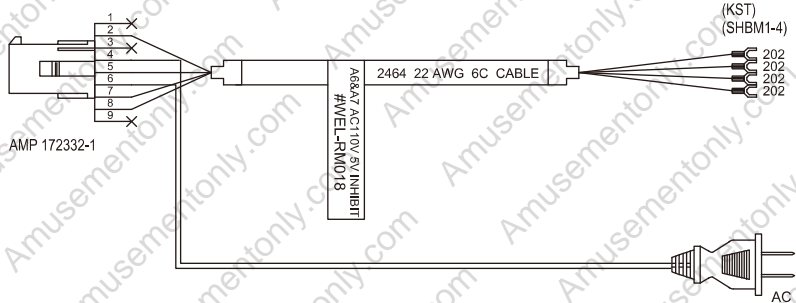
5-1 FIG. 05



5-1 FIG. 06

Interface	Used Voltage	Usage
5V Enable	117V AC	Extension Wire for WEL-RM017

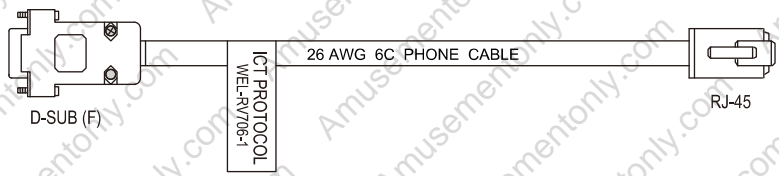
WEL-RM018



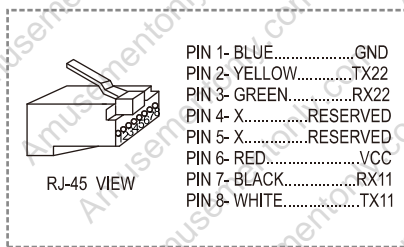
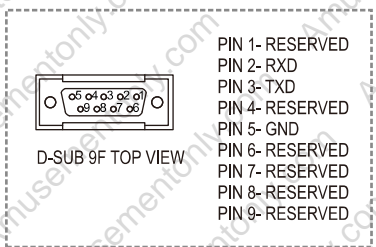
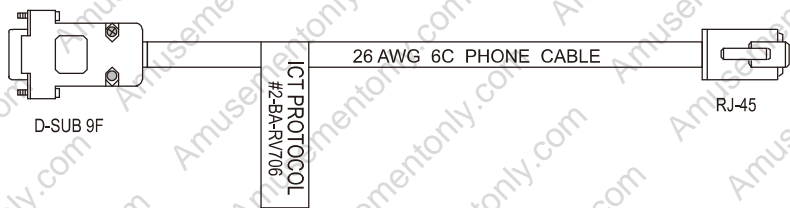
5-1 FIG. 07

Interface	Used Voltage	Usage
ICT Protocol (RS232)	12V DC	*Data Comm.
	117V AC	*Data Comm.

WEL-RV706-1



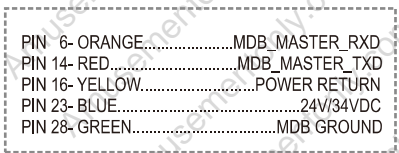
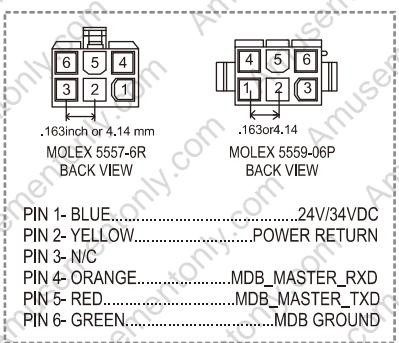
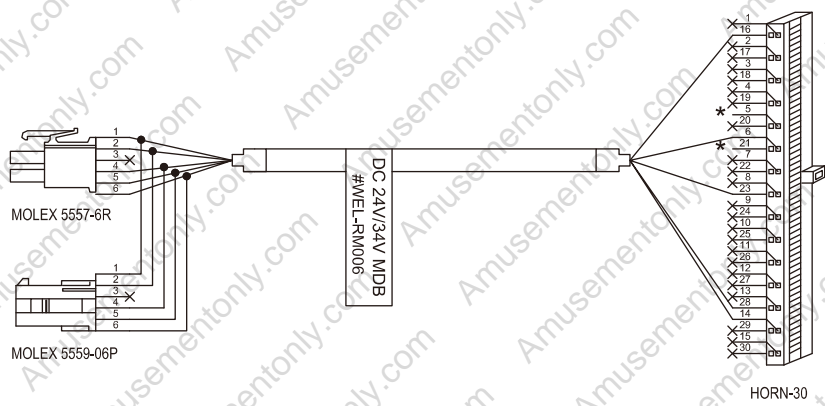
2-BA-RV706



5-1 FIG. 08

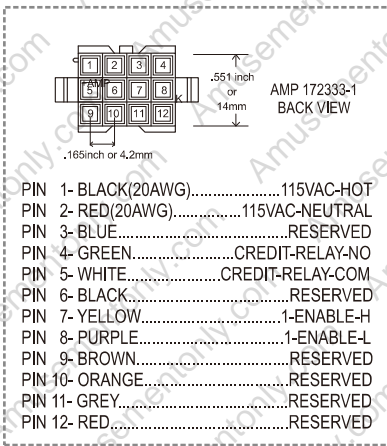
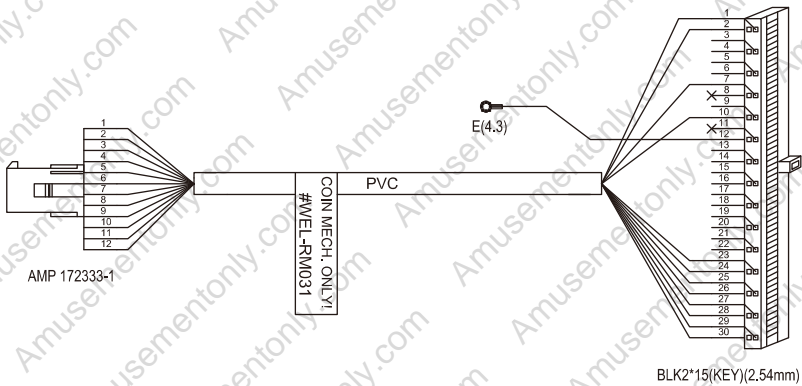
Interface	Used Voltage	Usage
MDB	24V/34V DC	Power & *Data Comm.

WEL-RM006



Interface	Used Voltage	Usage
Single price	117V AC	Power & *Data Comm.

WEL-RM031

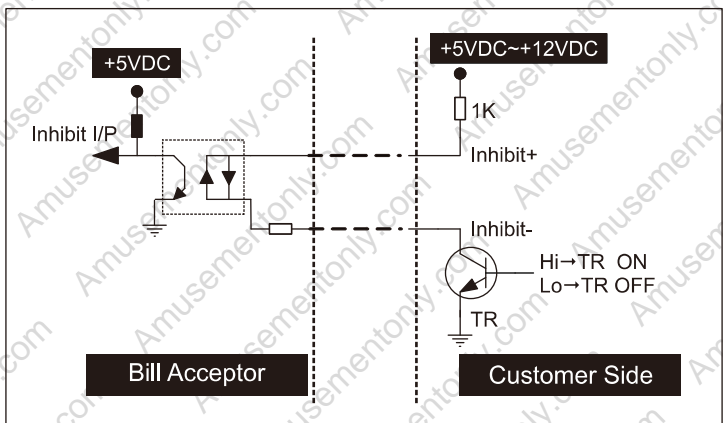
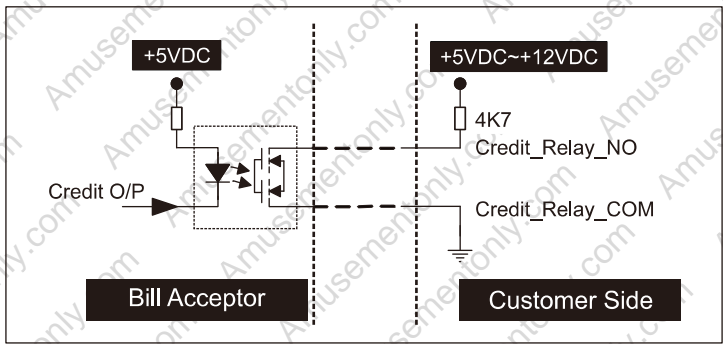


PIN 1- WHITE.....	CREDIT-RELAY-COM
PIN 2- GREEN.....	CREDIT-RELAY-NO
PIN 7- RED(20AWG).....	115VAC-NEUTRAL
PIN 10- BLACK(20AWG).....	115VAC-HOT
PIN 12- YELLOW/ GREEN(20AWG).....	EARTHGND
PIN 23- BROWN.....	RESERVED
PIN 24- PURPLE.....	1-ENABLE-L
PIN 25- BLUE.....	RESERVED
PIN 26- GREY.....	RESERVED
PIN 27- ORANGE.....	RESERVED
PIN 28- RED.....	RESERVED
PIN 29- YELLOW.....	1-ENABLE-H
PIN 30- BLACK.....	RESERVED

5-1-1. I/O Circuit

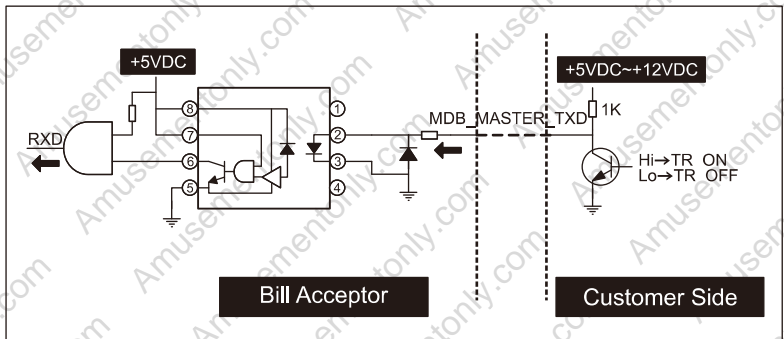
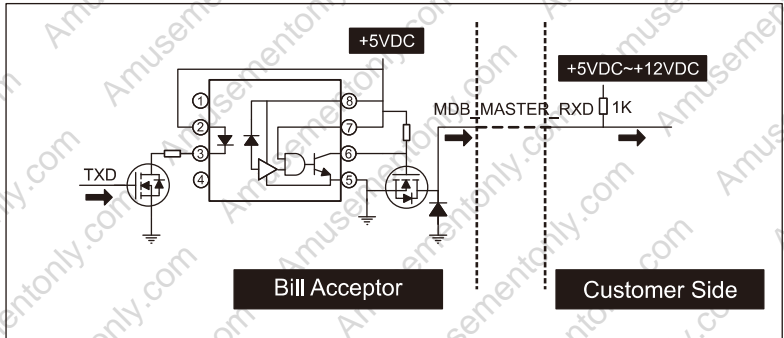
Pulse Interface

5-1-1 FIG. 01



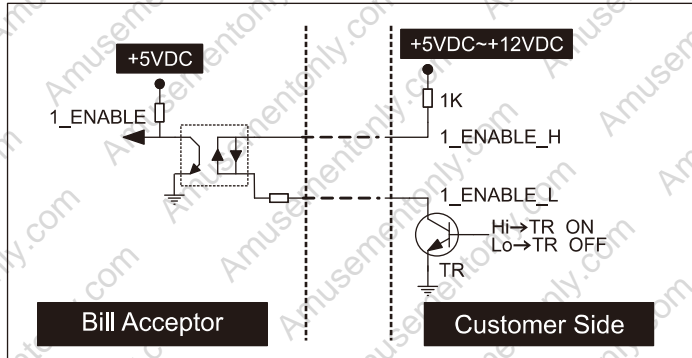
MDB Interface

5-1-1 FIG. 02



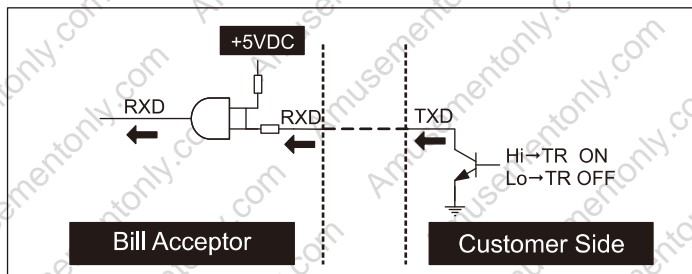
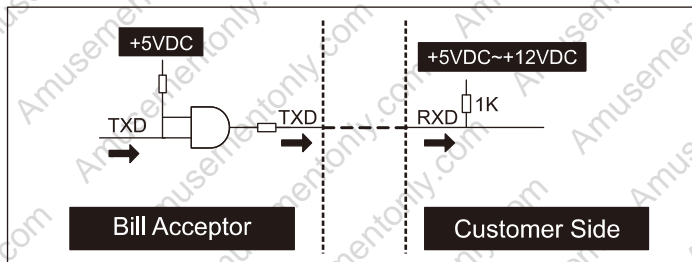
5V Enable Interface

5-1-1 FIG. 03



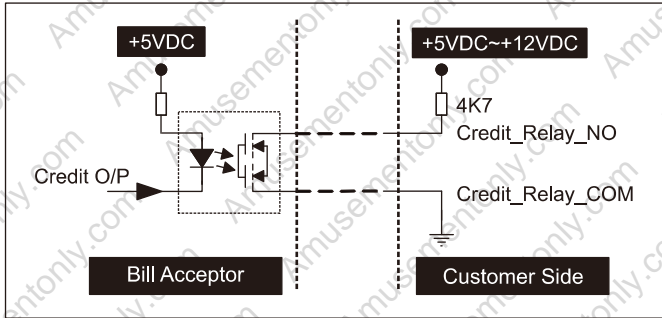
ICT-Protocol Interface

5-1-1 FIG. 04



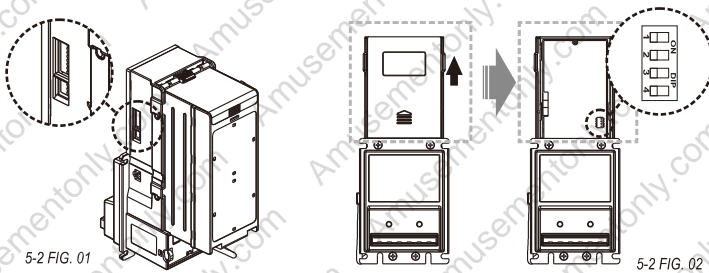
Single Price Interface.

5-1-1 FIG.05



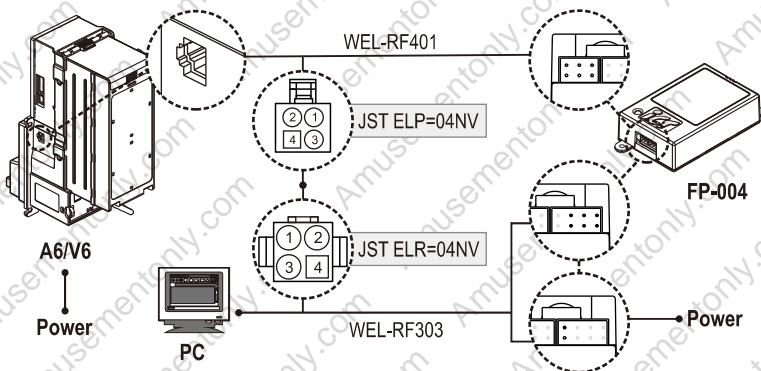
5-2. DIP Switch Setting

There are two serial DIP switches which are set on the side of A6/V6 series (as FIG.01). According to different currencies which are used by users, DIP switch settings could be varied to fit users' needs. There is also a serial DIP switch on the base of the unit for inside interface settings (as FIG.02). Please refer to "A6/V6 series DIP Switch Setting Guide" in the package for more details.



5-3. Software Download and Upgrade

To download and upgrade the software to A6/V6 Series, the programmer (FP-004) is needed. Please contact ICT to purchase FP-004 and refer to FP-004 user guide for software download and upgrade information.



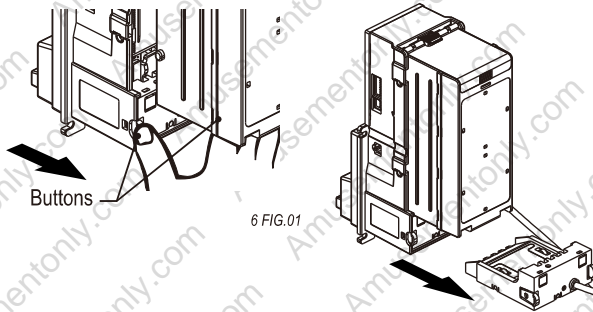
Power must be applied to Bill Acceptor **after** connecting.

6. Maintenance

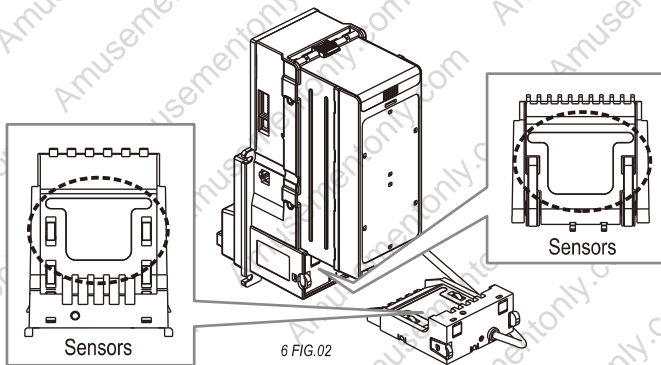
To make sure the bill acceptor always works smoothly, please clean the internal parts every two weeks to every two months.


To clean the internal parts:

1. Press the buttons on the sides of bill path unit and pull the unit out.



2. Use a soft, dry cloth or towel to clean the bill path and sensors.



Maintenance Notice (Any improper maintenance will invalidate the warranty.)	
	Recommended Mild, non-abrasive, soap water.
	DO NOT USE Organic solvent , Alcohol, Volatile liquid.

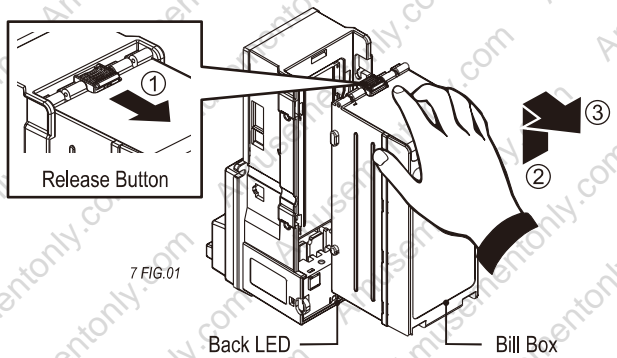
7. Troubleshooting

7 TABLE 01

LED	Status	Corrective Actions
Green	White Card Calibration.	Please calibrate with ICT white calibration card.

7 TABLE 02

LED Flashes (Green)	Status	Corrective Actions
1	Bill jammed.	Remove the bill box by sliding the top button and the bill path unit (as 7 FIG.01), and then remove the jammed bill.
2	Disable	Inspect for right DIP switch setting.
3	Recognition sensor error.	Inspect for foreign objects on sensor or bill path and clean.
3+2	Hook sensor error.	Inspect for foreign objects on security hook and clean.
5	Bill box has been removed.	Replace the bill box.
6	Stacker error or stacker full.	Empty the bill box.
7	Motor error.	Inspect for foreign objects on bill path and clean.



7 FIG.01

! If the error can not be solved after corrective actions or happen again, please contact ICT for technical support.



Taiwan

International Currency Technologies Corporation

No.28, Ln. 15, Sec. 6, Minquan E. Rd., Neihu Dist., Taipei City 114, Taiwan

sales@ictgroup.com.tw (For Sales)

fae@ictgroup.com.tw (For Customer Service)

Website: www.ictgroup.com.tw

