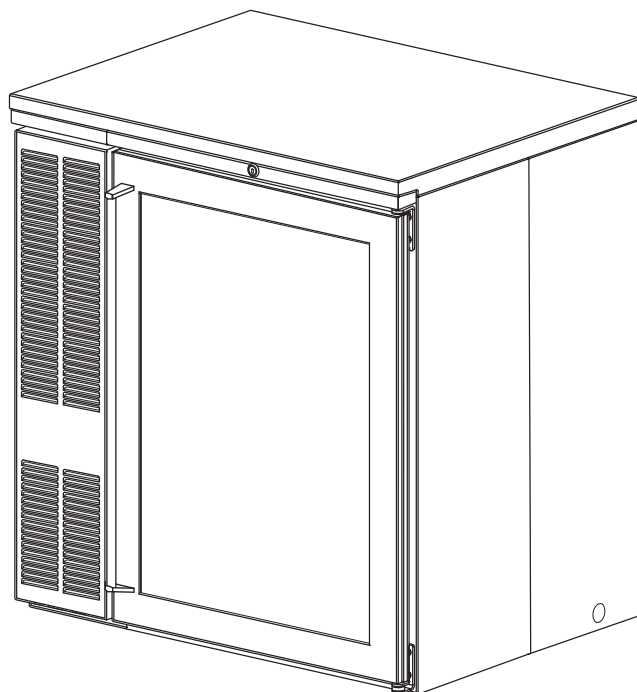


INSTALLATION AND OPERATION INSTRUCTIONS SINGLE DOOR COOLER SERIES



IMPORTANT INFORMATION

To register your product, visit our web site at (www.perlick.com). Click on “Commercial”, then “Service”. You will see the link to “Warranty Registration Form”. You must complete and submit this form or the installation date will revert back to the ship Date.

This manual has been prepared to assist you in the installation of your Single Door Cooler and to acquaint you with its operation and maintenance.

We dedicate considerable time to ensure that our products provide the highest level of customer satisfaction. If service is required, your dealer can provide you with a list of qualified service agents. For your own protection, never return merchandise for credit without our approval.

We thank you for selecting a Perlick product and assure you of our continuing interest in your satisfaction.

WARNING: When lifting, the full weight of the cabinet must be supported. Lift from the cabinet base and not from the top. Improper lifting can result in severe damage to the cabinet.

MODEL NOS.

CS32SB
CS32SG
CS32SS
CS32ST



FOR GENERAL REFERENCE ONLY
Models shown may not match the model features or manuf year of the item offered by AERE.

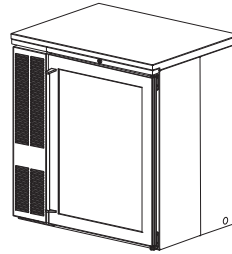
Table of Contents

PREPARING THE CABINET FOR USE	
Specifications	2
List of Included Parts.....	3
Tools Required	3
Plumbing.....	3
Electrical	3
Uncrating	3
Installing Casters.....	3
Placing the Cabinet.....	3
Leveling the Cabinet.....	3
Installing Base Plates.....	3
TEMPERATURE	
Refrigeration and Temperature Control.....	4
Adjusting the Temperature	4
CLEANING	
Cleaning the Cabinet.....	4
Cleaning the Condenser.....	4
Condenser.....	4
GENERAL INFORMATION	
REPLACEMENT PARTS.....	5
Wiring Diagram.....	6
Door Switching Instructions.....	7



Installation and Operating Instructions

Sizes and Specifications, Single Door Cooler Series



FOR GENERAL REFERENCE ONLY
Models shown may not match the
model features or manuf year of the
item offered by AERE.

DOOR FINISH

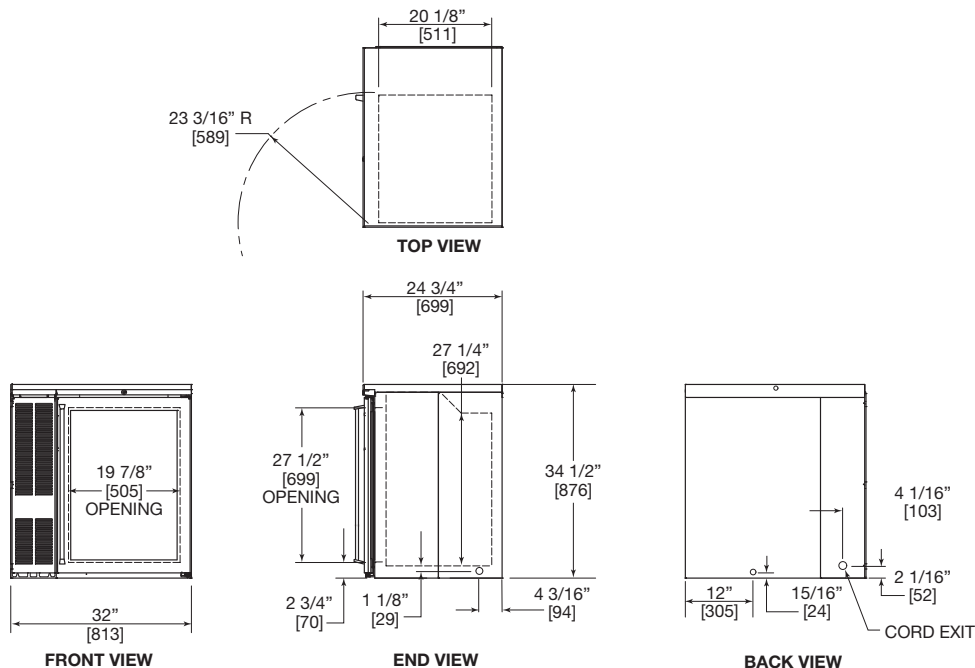
BLACK COATED SOLID	CS32SB*
GLASS W/ BLACK COATED FRAME	CS32SG
STAINLESS STEEL SOLID	CS32SS
GLASS W/STAINLESS STEEL FRAME	CS32ST

MODEL NUMBERS

SPECIFICATIONS

CONDENSING UNIT H.P.	1/6
AMPS	2.7
SHIP WT lbs. (kg)	210 (96)
CASE CAPACITY (based on 12oz Long Neck bottle)	6
INTERIOR	Door Pan & Ceiling: High strength polystyrene. Door Sill: High strength polyethylene. Floor Pan: Stainless steel. Walls: Galvanized steel. Includes pilasters, three vinyl coated shelves and light.
EXTERIOR	Stainless steel top, back, sides and front. Galvanized bottom. Condensing unit grille stainless steel or black vinyl coated to match door finish. Full length stainless steel handle and lock. Right hinged door standard from factory. Door hinging is field reversible.
REFRIGERATION	R-134a capillary tube-type. Aluminum fin and copper tube evaporator coil. Adjustable temperature control. Self-defrosting.
VENTILATION	Front ventilated.
ELECTRICAL	115 Volt, 60 Hz., 1 Phase AC. Furnished with three-prong, six foot NEMA 5-15P cord. Contact Perlick-Milwaukee for other voltage/frequency requirements.
PLUMBING	Evaporator condensate is removed automatically. Optional floor drain with 3/4" NPT at right end or 1" NPS out bottom come plugged from factory.
OPTIONAL ACCESSORIES	<ul style="list-style-type: none"> • Leg Set • Caster Sets • Leg & Front Base Plate

* Energy Star approved. NOTE: This equipment is intended for the storage and display of non-potentially-hazardous bottled or canned products only.



Perlick is committed to continuous improvement. Therefore, we reserve the right to change specifications without prior notice.

Preparing the Cabinet for Use – Single Door Cooler Series

Parts List

- (3) Shelves.
- 7 Watt Compact Fluorescent Light.
- Shelf Clips.

Suggested Tools

- #2 Phillips Screwdriver.
- 10" Crescent Wrench.
- $\frac{9}{16}$ " Allen Wrench.
- $\frac{5}{16}$ " and $\frac{3}{8}$ " Hex Socket.
- Power Drill or Driver.

Plumbing

Condensate from the cooling coil is automatically evaporated through a condensate pan located in the condensing unit housing. Each unit is also equipped with a floor drain located in the right rear corner of the cabinet. The drain can be plumbed to an external floor drain by connecting to the $\frac{3}{4}$ " NPT thread out the side or the 1" NPS thread out the bottom. Both drains ports come plugged from the factory and can be removed if needed.

Electrical

The cabinet must be connected to a separately fused power source (see electrical specification plate) and grounded in accordance with National and Local Electrical Codes. Caution: Do not attempt to operate the equipment on any other power source than that listed on the Electrical Specification plate.

Uncrating and Inspection

Remove all crating material before operating. Carefully inspect cabinet for hidden damage. If damage is discovered, file your claim immediately with the transportation company. Perlick is not responsible for damage in transit.

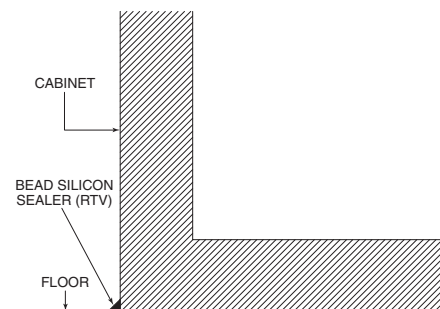
Installing Casters or Legs (Optional)

Attach four casters to the cabinet bottom; rigid casters at the rear and swivel casters on the front. Use the supplied $\frac{1}{4}$ "- 20 x $\frac{3}{4}$ " hex head self-tapping machine screws.

Placing the Cabinet

Push the cabinet into place using rollers when necessary. **Important:** Proper air flow around the condensing unit is necessary for efficient operation. Never obstruct the air flow in and out of the condensing unit.

For sanitation purposes, it may be necessary to seal the base of the cabinet to the floor. This can be accomplished by laying a bead of silicone sealant between the base of the cabinet and the floor as shown by the figure at below.



Leveling the Cabinet

When the cabinet is in place, check installation with carpenter's level. When perfectly level, accumulated water will drain out. A slight pitch to the drain side will not harm the cabinet. Water may accumulate if cabinet is pitched to the opposite side.

Installing Base Plate (Optional)

Attach brackets to cabinet bottom in holes provided. Attach base plate to brackets. (See separate instructions, provided with kit). When returning cabinet to upright position, be careful not to bend brackets.

WARNING!

To avoid compressor damage, after returning cabinet to an upright position, let unit stand for 24 hours before plugging it in and running the unit.

General Information – Single Door Cooler Series

Refrigeration and Temperature Control

The Single Door Cooler cabinet is equipped with a heavy-duty refrigeration system designed to automatically maintain a storage temperature of approximately 38 degrees F.

Adjusting the Temperature

The temperature control is inside the cabinet on the left-hand side of the evaporator fan panel assembly. You will need a screwdriver to turn the adjusting screw. Make small adjustments until the desired temperature is achieved.

- **Colder Temperatures:**
Turn the adjusting screw clockwise (to the right).
- **Warmer Temperatures:**
Turn the adjusting screw counterclockwise (to the left).
- **Temperature Control “OFF”:**
Turn the adjusting screw completely counterclockwise to the “O” position until a click is noted.

The condenser fan motor turns off and on with the compressor. The evaporator fan motor is on all the time.

NOTE:

Cabinet Temperatures lower than 34° will not allow for proper defrosting of the evaporator coil. If defrosting is necessary, turn the control knob to the OFF position until coil is defrosted.

Cleaning the Cabinet

Use a mild detergent and water to clean the inside and outside of the cabinet. Dry thoroughly. Never use a scouring pad or abrasive cleanser.

NOTE: An industrial strength, commercial cleaner can be used to clean the outside of painted cabinets.

Cleaning the Condenser

Use a long handled, stiff brush to clean the dirt from the front surface of the condenser. Keeping the condenser free from dust and dirt will ensure efficient operation.

CAUTION: Do not bend the fins while brushing the front of the condenser.

Condenser

The condenser (located behind the front grille cover) should be inspected every 30 days and cleaned, if necessary.

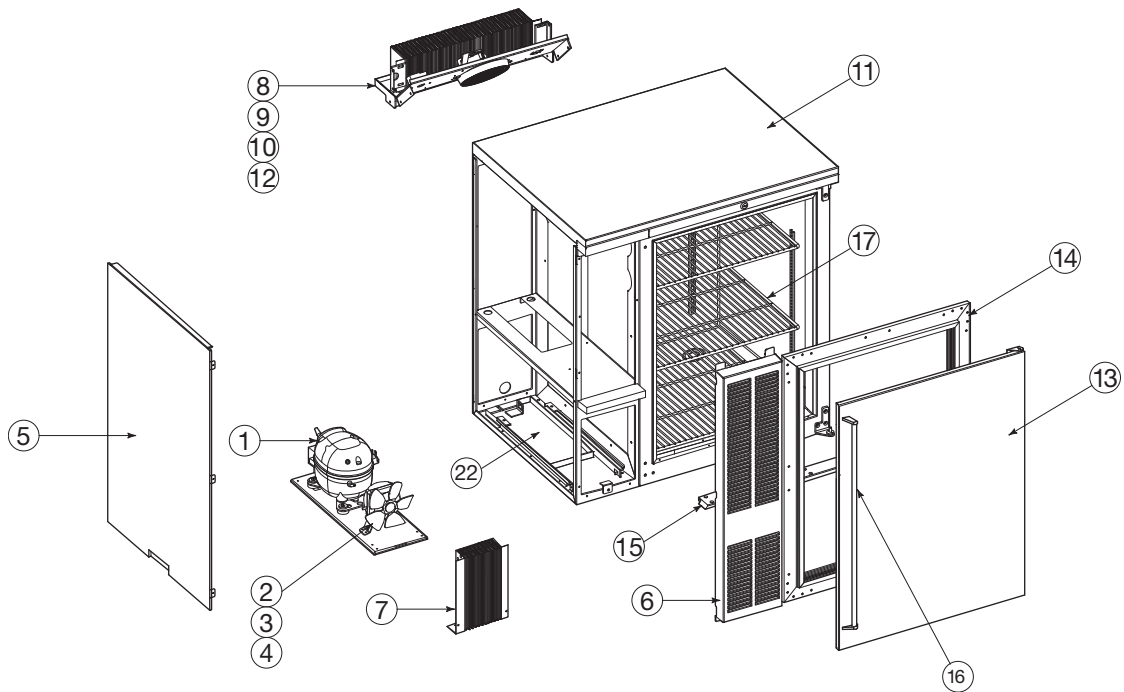
Failure to keep the condenser clean will cause a loss in condensing unit efficiency.



Perlick is committed to continuous improvement. Therefore, we reserve the right to change specifications without prior notice.

Replacement Parts – Single Door Cooler Series

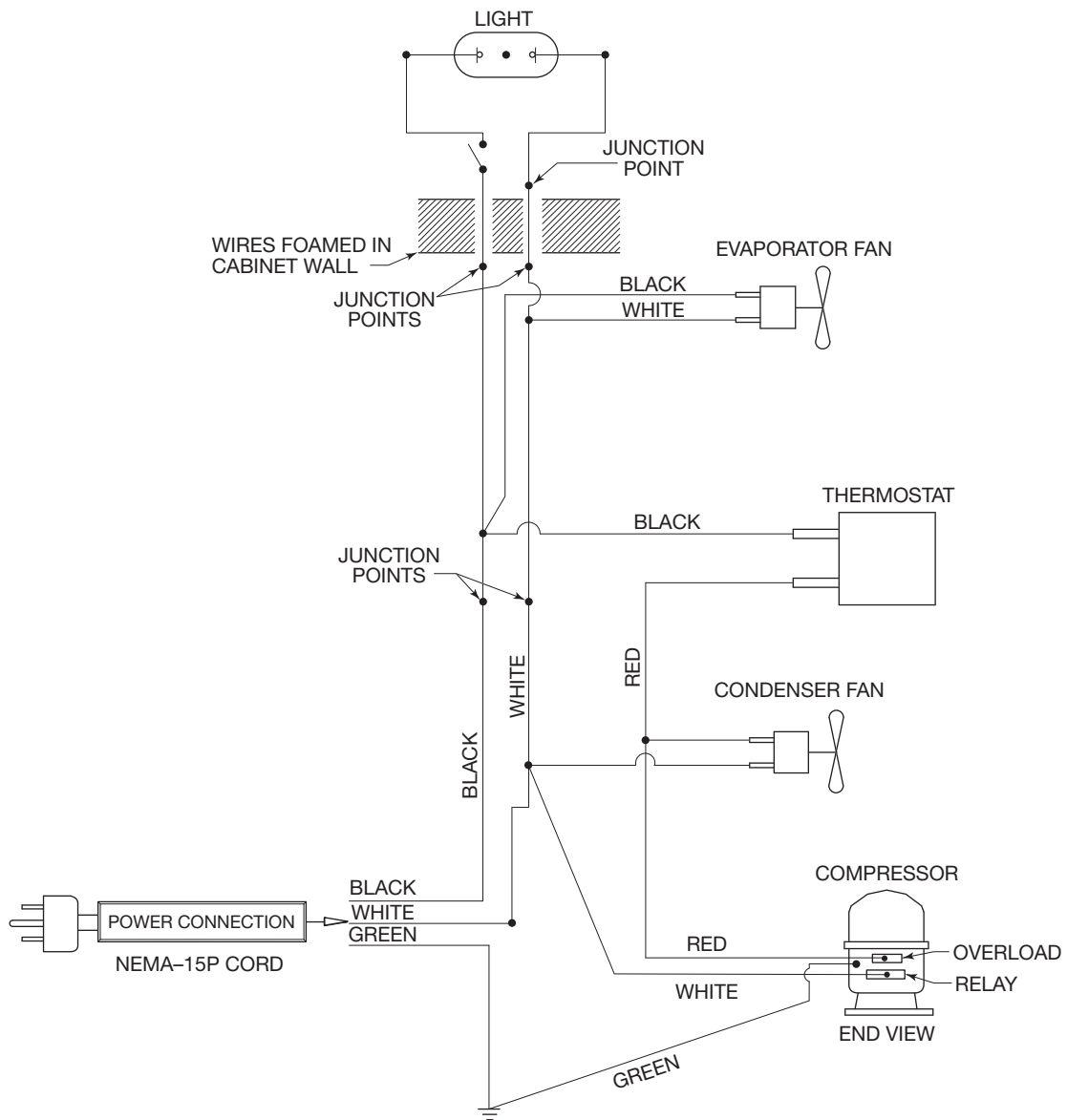
MODEL NOS.		CS32
Item	Description	Part #'s
1	Compressor for R134a	63778
2	Condenser fan motor	63807
3	Condenser fan motor bracket	65166-1
4	Condenser fan blade	63808
5	Side panel	66215-1SS or 66215-1
6	Front grille	66210-8SS or 66210-8
7	Condenser	65528
8	Evaporator fan blade - 4"	63461
9	Evaporator fan motor	C15239A
10	Evaporator assembly - complete	66295
11	Top assembly	66230-32
12	Temperature control	61271
13	Door assembly	66256-1
14	Magnetic door gasket	66237-4
15	Door sill	65500-1
16	Door handle	65305-1
17	Shelf	66265-1
22	Condensate pan	65473
Parts Not Shown on Drawing		
	Wiring Harness	
	Power cord	65531
	Top evaporator	65532
	Door lock with keys	63762
	L & S line assembly	65529
	Light bulb	63821
	Light bulb guard	65525
	Light switch	65535



Perlick is committed to continuous improvement. Therefore, we reserve the right to change specifications without prior notice.



Wiring Diagram – Single Door Back Bar Cooler

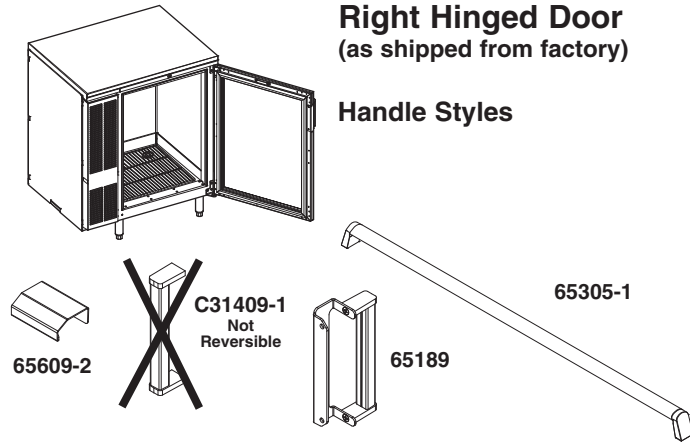


Perlick is committed to continuous improvement. Therefore, we reserve the right to change specifications without prior notice.

Door Switching Instructions – Single Door Cooler Series

Tools Required

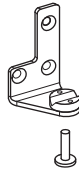
- #3 Phillips Screwdriver.
- 1/16" Allen Wrench.
- Flathead Screwdriver



Operations to Perform on Cabinet

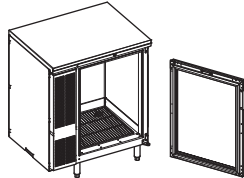
STEP 1:

Remove bottom hinge pin from assembly.



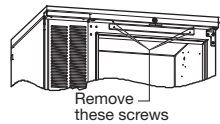
STEP 2:

Carefully lift and tilt out door assembly from the unit and set aside.



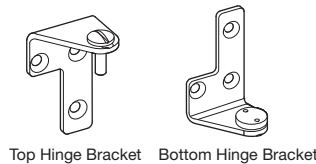
STEP 3:

Remove lock rail from cabinet, requires removal of four screws.



STEP 4:

Remove top hinge pin. Remove top and bottom hinge brackets from the unit.



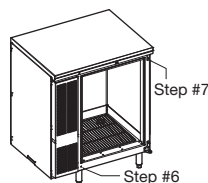
STEP 5:

Remove hinge bushing from bottom hinge bracket and assemble to top hinge bracket.



STEP 6:

Taking care not to scratch the surface, remove hole plugs from the left hinge holes.



STEP 7:

Insert hole plugs into vacant right hinge holes.

STEP 8:

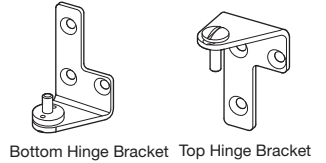
Re-assemble hinge brackets to unit. Bottom right bracket is assembled as the top left bracket. Top right bracket is assembled as the bottom left bracket.

STEP 9:

Re-insert top hinge pin.

STEP 10:

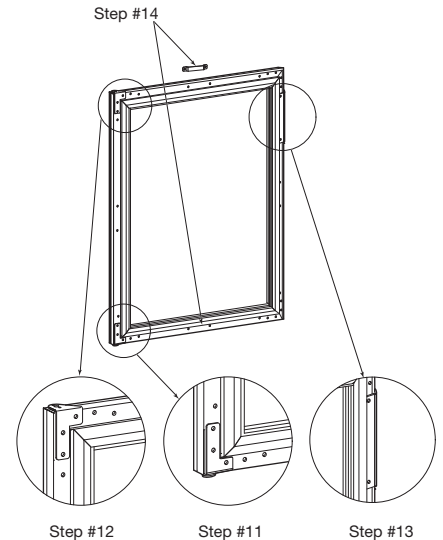
Re-assemble lock rail from STEP #3



Operations to Perform on Door

STEP 11:

Remove bottom door hinge bracket from door assembly and remove door hinge bushing from bracket. Re-assemble door hinge bracket to previous position, without bushing.



STEP 12:

Remove top door hinge bracket from door assembly and assemble door hinge bushing from STEP 11 to bracket. Re-assemble door hinge bracket to previous position with bushing attached.

STEP 13:

Door with full length SS handle:

There is no need to remove door handle. It will be positioned correctly when door is reversed.

Door with SS pull tab or handle with wrap-around bracket:

Remove the two screws mounting the handle and reposition to appropriate location on the opposite side of the door.

STEP 14:

Remove lock retainer and install on opposite end of door.

STEP 15:

What was the door top is now the door bottom. Carefully lift the door onto the hinge brackets of the cabinet. The two hinge bushings should meet. Reinsert the bottom hinge pin to complete the door switching operation.



8300 West Good Hope Road • Milwaukee, WI 53223 • Phone 414-353-7060 • Fax 414-353-7069
Toll Free 800-558-5592 • E-Mail: Perlick@Perlick.com • www.Perlick.com