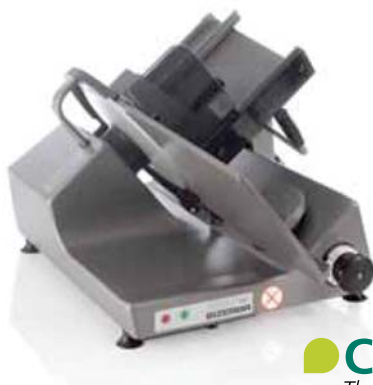


FOR GENERAL REFERENCE ONLY
Models shown may not match the
model features or manuf year of the
item offered by AERE.



BIZERBA

... closer to your business

Ceraclean®
The essence of purity...

A cut above in the most diverse disciplines ...

... Manual safety slicing machines GSP H Series

GSP H



GSP H

- Large capacity thanks to broad carriage
- Transparent finger protection for a clear view during slicing
- Fewer corners, edges and large radii make cleaning fast and easy
- Optimally sealed against water and dirt
- Large, user-friendly remnant holder
- Unique design ensures minimal end-pieces and maximum product yield
- Removable, dishwasher-proof sharpener for greater safety and hygiene
- The ergonomic design sets standards in safety, yield, hygiene and durability as well as reducing the total cost of ownership



- Large finger protection for maximum safety
- All-round blade protection during cleaning
- Patented carriage locking system

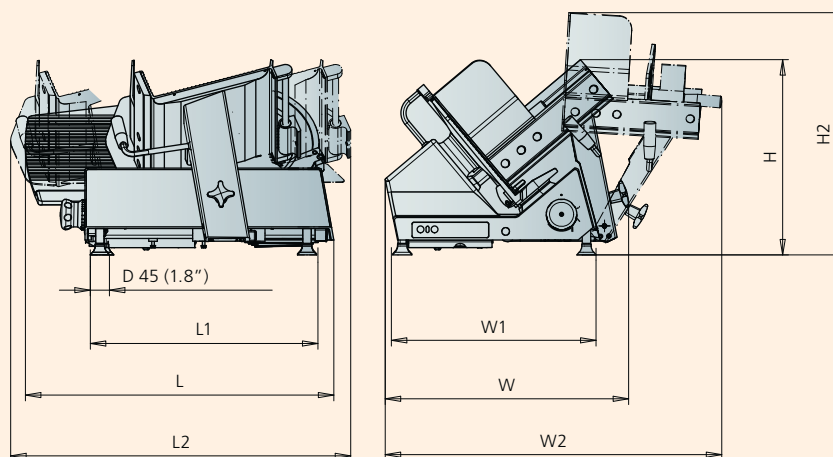
Additional safety features:

- Off-switch integrated in the control knob for slicing thickness, blade-off and machine block when blade is open (optional extra)
- Juices are channelled to drain
- Premium quality gravity slicer with ergonomic carriage position for ease-of-use (even with difficult products)

	GSP H 0°	GSP H 18° L	GSP H 25° L	GSP H 25° H
■ Blade radius	350 mm	330 mm	330 mm	330 mm
■ Blade speed	266 revs/pm	255 revs/pm	319 revs/pm	319 revs/pm
■ Max. product size	Round: 260 mm High: 246 mm Wide: 290 mm	Round: 235 mm High: 188 mm Wide: 290 mm	Round: 228 mm High: 160 mm Wide: 290 mm	Round: 202 mm High: 1126 mm Wide: 290 mm
■ Footprint: L1 x W1	532 x 478 mm	532 x 478 mm	530 x 480 mm	530 x 480 mm
■ Outer dimensions: L x W x H	725 x 570 x 470 mm	725 x 572,2 x 459 mm	725 x 587 x 571 mm	725 x 586 x 596 mm
■ Working area: L2 x W2	770,3 x 786,4 mm	799,3 x 791 mm	799 x 899 mm	806 x 899 mm
■ Slicing thickness	continuously adjustable 0 to 24 mm	continuously adjustable 0 to 24 mm	continuously adjustable 0 to 24 mm	continuously adjustable 0 to 24 mm
■ Safety class	IP 33	IP 33	IP 33	IP 33
■ Weight	43 kg	43 kg	43 kg	43 kg

Options:

-  Ceraclean[®]
The essence of purity.
- Gravity-feed slicing carriage
- Lockable produce-fixing handle
- Carriage versions:
 - 0° (together with 350 blade maximises opening for product)
 - 18° L, 25° L, 25° H
- Blade
 -  Ceraclean[®]
The essence of purity.
 - Perforated blade (for cheese)
 - Toothed blade (for bread)
- Lifting grip
- Comfort package
- Vegetable holder
- Tomato straight-edge
- Product attachment



Single-phase alternating current

- Voltage: 230 V
- Frequency: 50 Hz
- Input current: 1.79 A
- Power input: 0.36 kW

Three-phase alternating current:

- Voltage: 230 V/400 V
- Frequency: 50 Hz
- Input current: 1.2 A/0.68 A
- Power input: 0.31 kW



Members of the Bizerba Group

Bizerba GmbH & Co. KG
Wilhelm-Kraut-Straße 65
72336 Balingen
Germany
Tel. +49 7433 12-0
Fax +49 7433 12-2696
marketing@bizerba.com
www.bizerba.com

Bizerba (U.K.) Limited
Bizerba House
Eastman Centre
Eastman Way
Hemel Hempstead
Herts HP 2 7 DU
U.K.
Tel. +44 1442 24-0751
Fax +44 1442 2313-28
sales@bizerba.co.uk

Bizerba USA Inc.
31 Gordon Road
Piscataway
New Jersey 08854
USA
Tel. Office +1 732 565-6000
Tel. Service +1 732 565-6001
Fax +1 732 819-0429
us.info@bizerba.com
www.bizerbausa.com

Bizerba Canada Inc.
2810 Argenta Road #9
Mississauga,
Ontario L5N 8L2
Canada
Tel. +1 905 816-0498
Fax +1 905 816-0497
ca.info@bizerba.com
www.bizerba.ca

Bizerba South East Asia Pte.
Ltd.
1 Fifth Avenue #02-05
Guthrie House
Singapore 268802
Singapore
Tel. +65 6465-1900
Fax +65 6468-0481
bizerba@bizerba-sea.com
www.bizerba-sea.com