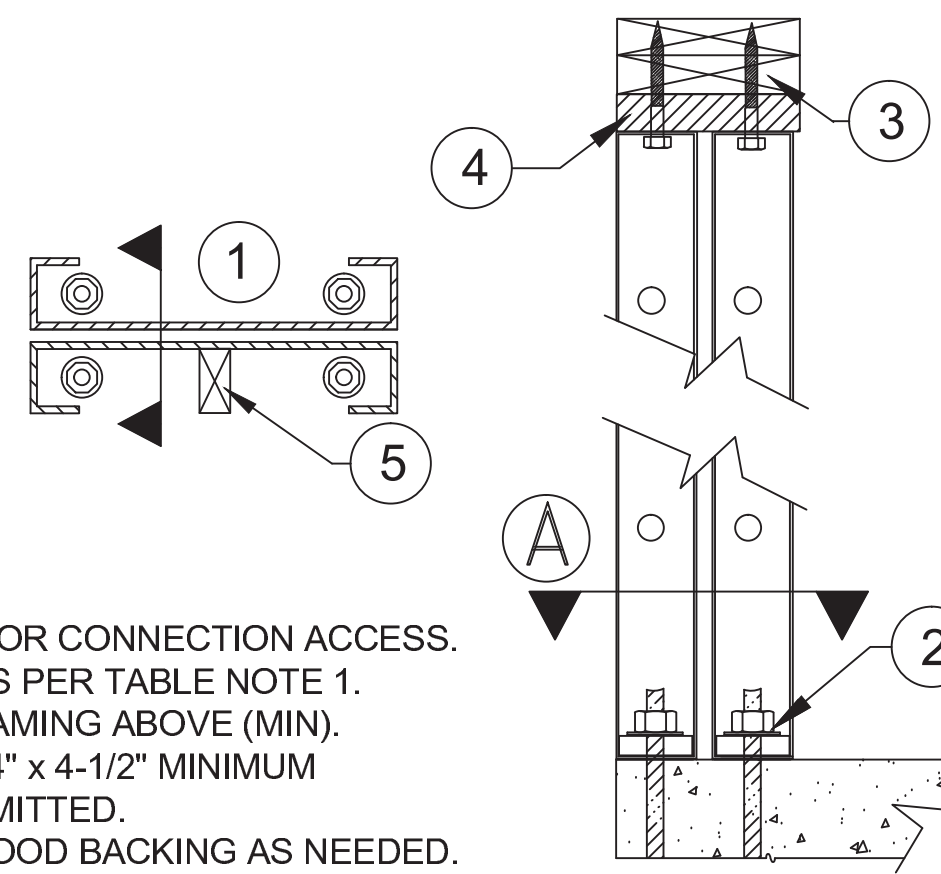


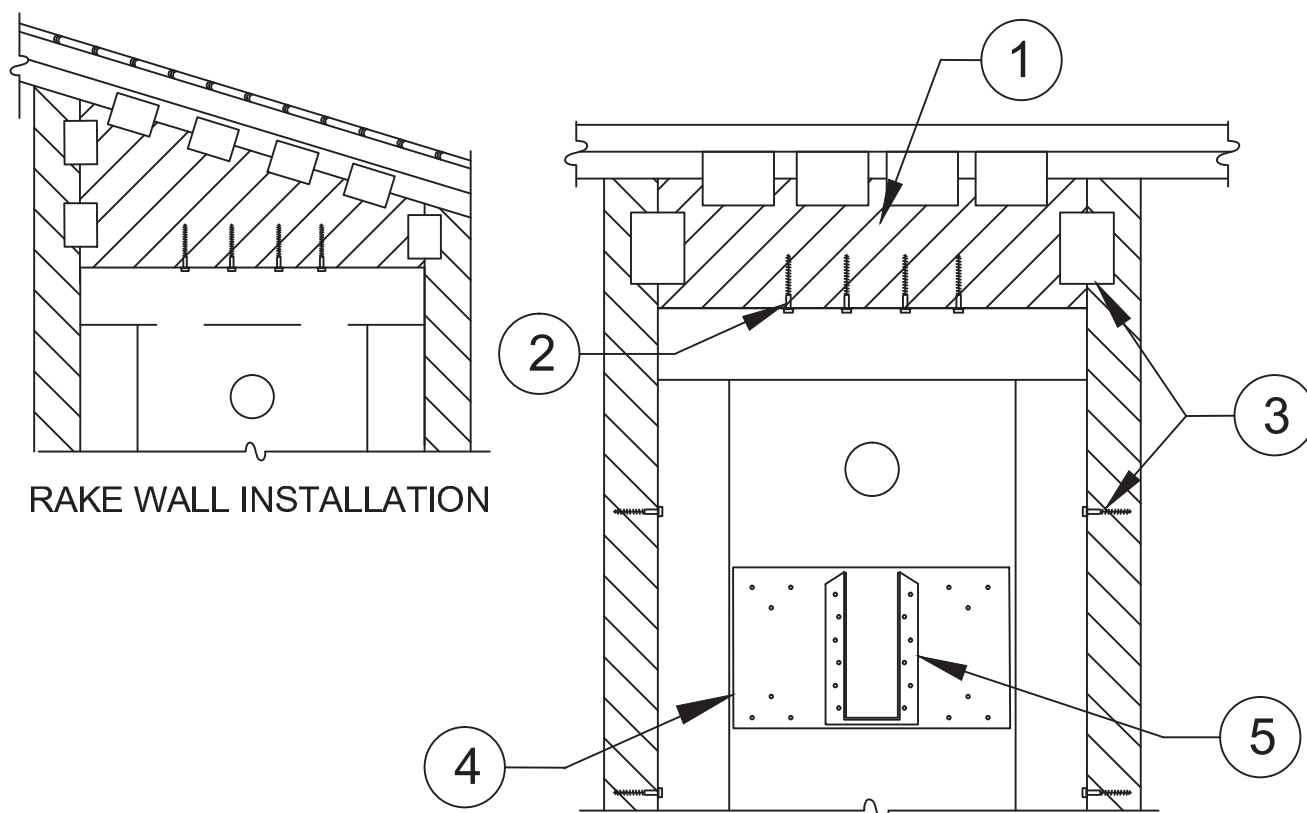
SECTION A



1. CAVITY ORIENTED FOR CONNECTION ACCESS.
2. NUTS AND WASHERS PER TABLE NOTE 1.
3. NOMINAL 8 INCH FRAMING ABOVE (MIN).
4. A 2x FILLER WITH 1/4" x 4-1/2" MINIMUM WS SCREWS IS PERMITTED.
5. FIELD INSTALLED WOOD BACKING AS NEEDED.

BACK TO BACK INSTALLATION

3

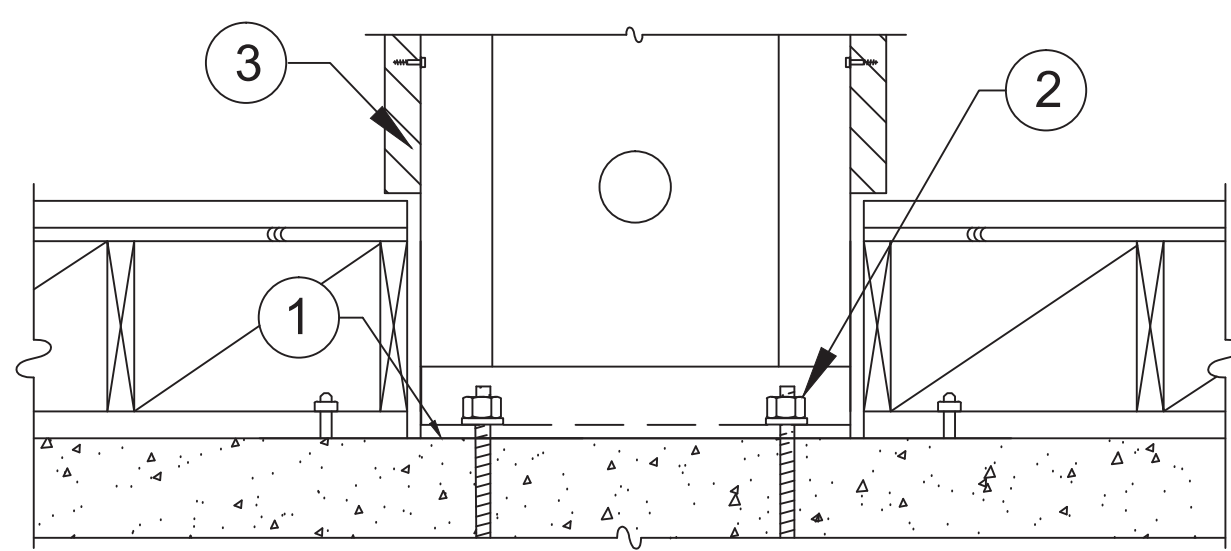


RAKE WALL INSTALLATION

1. WOOD FILLER WITH USP MP4F CONNECTORS BOTH SIDES, QUANTITY BY BUILDING DESIGN PROFESSIONAL.
2. 1/4" x 3" (MINIMUM) WS SCREWS, QUANTITY PER TABLES
3. ADJACENT FRAMING WITH 1/4" DIAMETER SCREWS INSTALLED THROUGH PRE-PUNCHED HOLES IN PANEL EDGES REQUIRED WHEN INSTALLING A FILLER GREATER THAN 1-1/2" ABOVE TO BRACE OUT-OF-PLANE HINGE OR WHEN SPECIFIED BY THE DESIGN PROFESSIONAL.
4. PRE-DRILL 3/16" DIA. HOLES, EVENLY SPACED IN FACE OF PANEL NO LESS THAN 2-1/4" OC AND INSTALL 1/4" DIA. WOOD SCREWS INTO 2x (MIN.) WOOD "LEDGER" IN PANEL CAVITY.
5. CONNECTOR AND ATTACHMENT BY BUILDING DESIGN PROFESSIONAL.

FILLER GREATER THAN 1-1/2 IN.

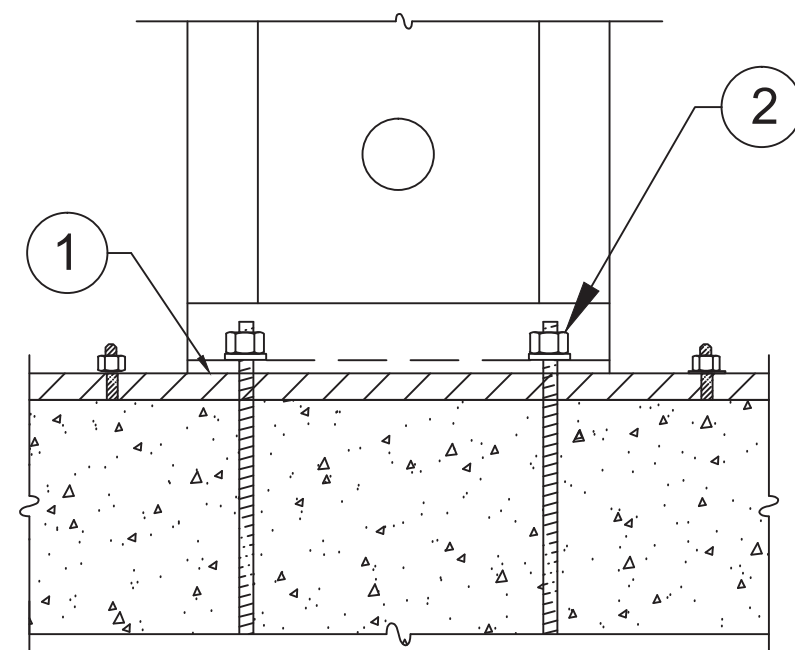
6



1. 15# FELT OR EQUIVALENT MOISTURE BARRIER RECOMMENDED BETWEEN PANEL BASE AND CONCRETE.
2. NUTS AND WASHERS PER TABLE NOTE 1.
3. ADJACENT FRAMING WITH 1/4" DIAMETER SCREWS INSTALLED AT THE PANEL EDGES WHEN INSTALLING A FILLER GREATER THAN 1-1/2" ABOVE OR WHEN SPECIFIED BY DESIGN PROFESSIONAL.

RAISED FLOOR HEAD-OUT

8

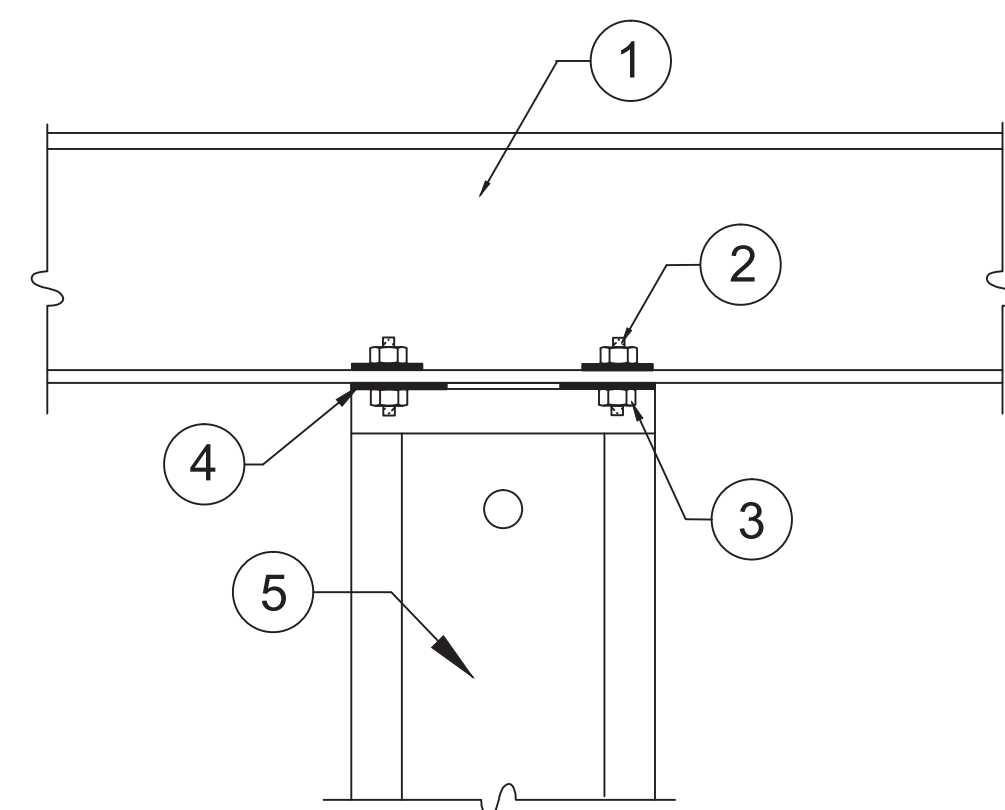


ALLOWABLE VALUES ON 2x PLATE ARE LESS THAN INSTALLATION ON CONCRETE

1. 15# FELT OR EQUIVALENT MOISTURE BARRIER RECOMMENDED BETWEEN PANEL BASE AND TREATED PLATE.
2. NUTS AND WASHERS PER TABLE NOTE 1.

INSTALLATION ON 2x PLATE

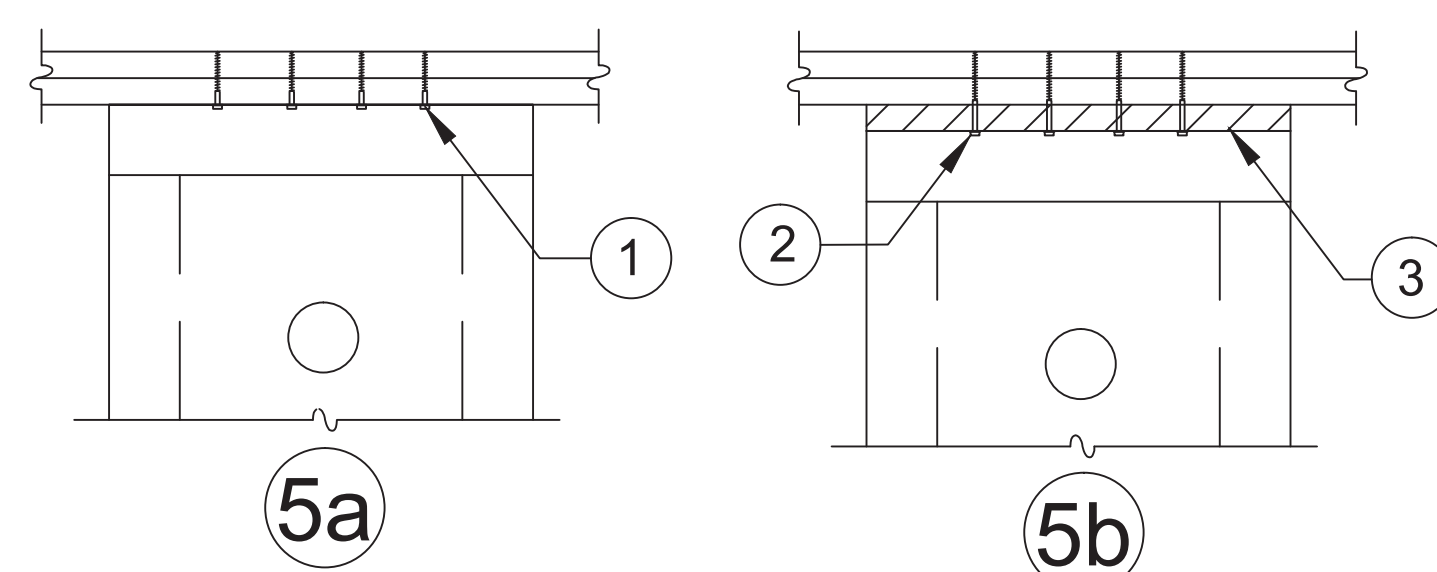
11



1. STEEL BEAM PER PLANS
2. ALL THREAD RODS THRU-BOLTED TO STEEL BEAM BY BUILDING DESIGN PROFESSIONAL.
3. NUTS AND WASHERS PER TABLE NOTE 1.
4. *HARDY FRAME* STACKING WASHERS (HFSW) (REQUIRED TO BE WELDED INSIDE TOP CHANNEL OF LOWER PANEL.
5. *HARDY FRAME* "STK" PANEL WITH STACKING WASHERS WELDED INSIDE THE TOP CHANNEL BY MANUFACTURER.

STEEL BEAM ABOVE THRU-BOLT

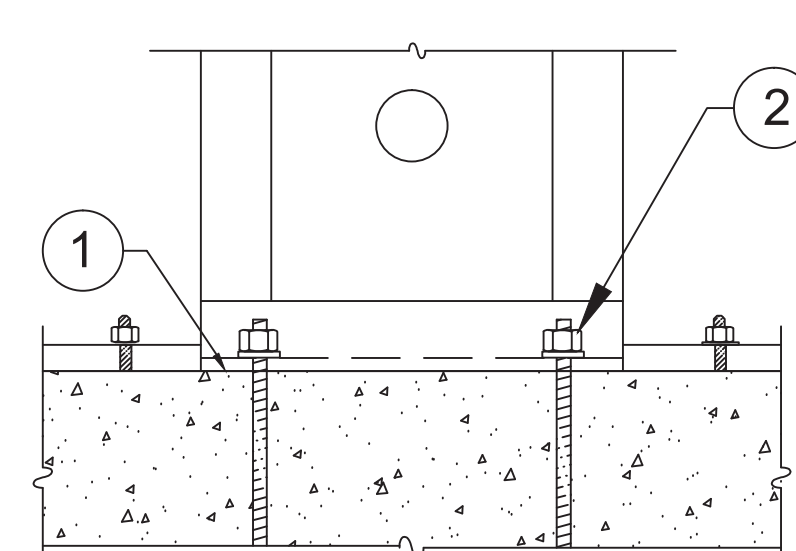
2



1. 1/4" x 3" (MINIMUM) WS SCREWS, QUANTITY PER TABLES
2. 1/4" x 4-1/2" (MINIMUM) WS SCREWS, QUANTITY PER TABLES
3. 2x WOOD FILLER.

TOP PLATE CONNECTIONS

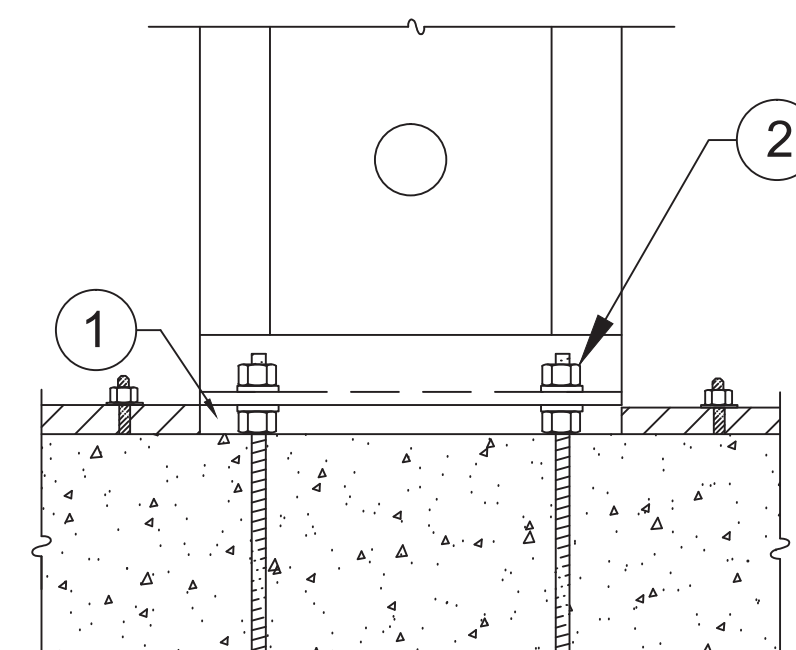
5



1. 15# FELT OR EQUIVALENT MOISTURE BARRIER RECOMMENDED BETWEEN PANEL BASE AND CONCRETE.
2. NUTS AND WASHERS PER TABLE NOTE 1.

INSTALLATION ON CONCRETE

7



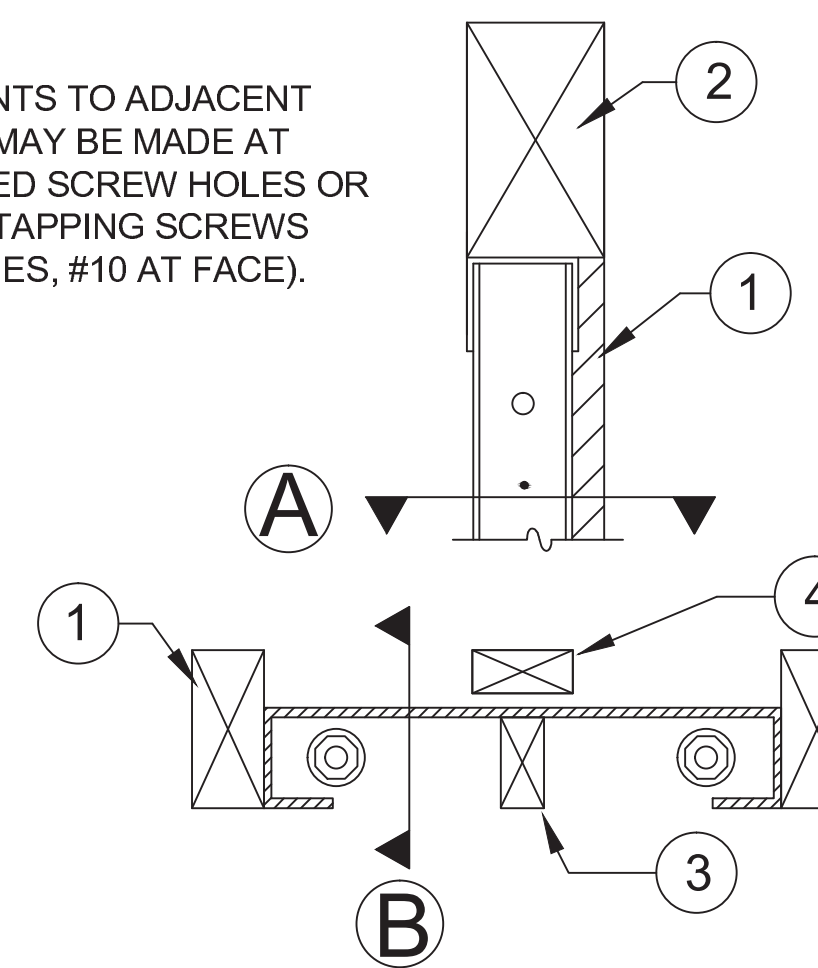
ALLOWABLE VALUES ON N&W ARE LESS THAN INSTALLATION ON CONCRETE

1. PLUS OR MINUS 1-1/2" GAP TO BE FILLED WITH 5,000 PSI NON-SHRINK GROUT (MINIMUM).
2. NUT AND WASHER GRADES PER TABLE NOTE 1.

INSTALLATION ON NUTS & WASHERS

10

NOTE:
ATTACHMENTS TO ADJACENT TRIMMERS MAY BE MADE AT PREPUNCHED SCREW HOLES OR WITH SELF TAPPING SCREWS (#12 AT EDGES, #10 AT FACE).



SECTION B

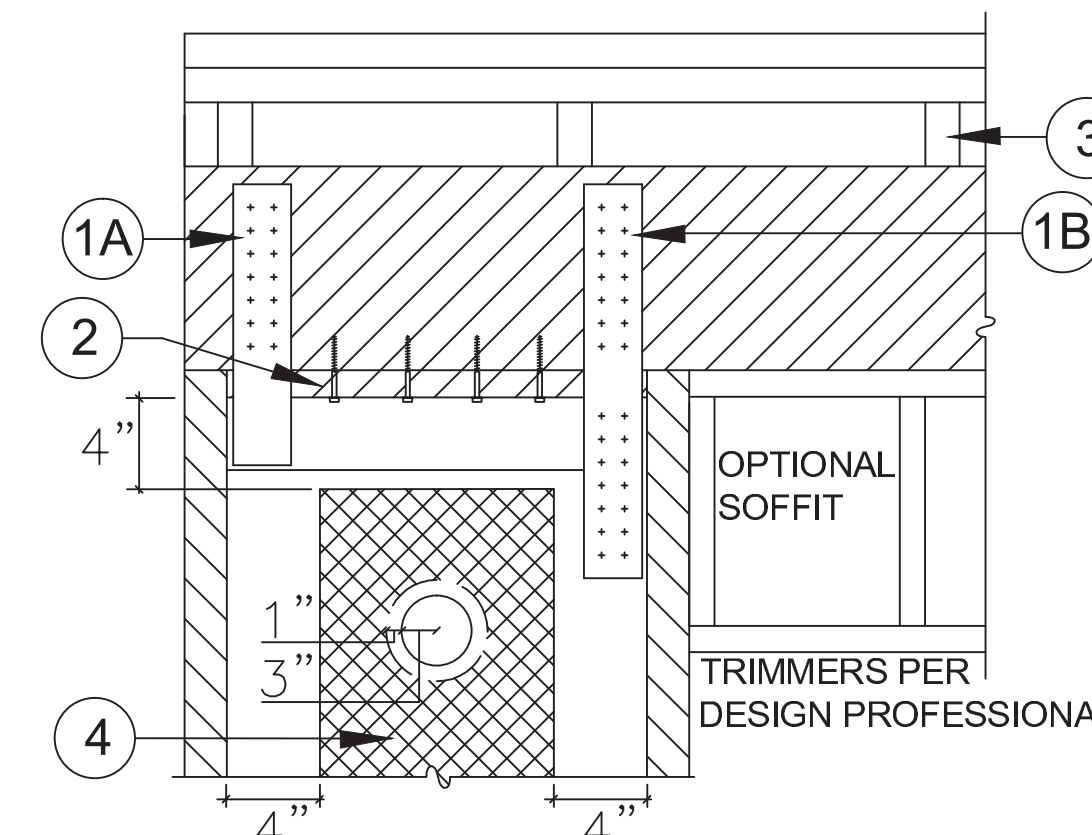
SECTION A

1. TRIMMERS PROVIDE FULL BEARING FOR HEADER ABOVE, DESIGN AND CONNECTIONS BY BUILDING DESIGN PROFESSIONAL.
2. 6x HEADER.
3. WOOD MEMBERS FOR BACKING MAY BE INSERTED VERTICALLY OR HORIZONTALLY IN THE PANEL CAVITY AS NEEDED.
4. WOOD MEMBER FLUSH TO FACE OF WALL FOR BACKING AS NEEDED.

6x HEADER ABOVE-SECTIONS

1

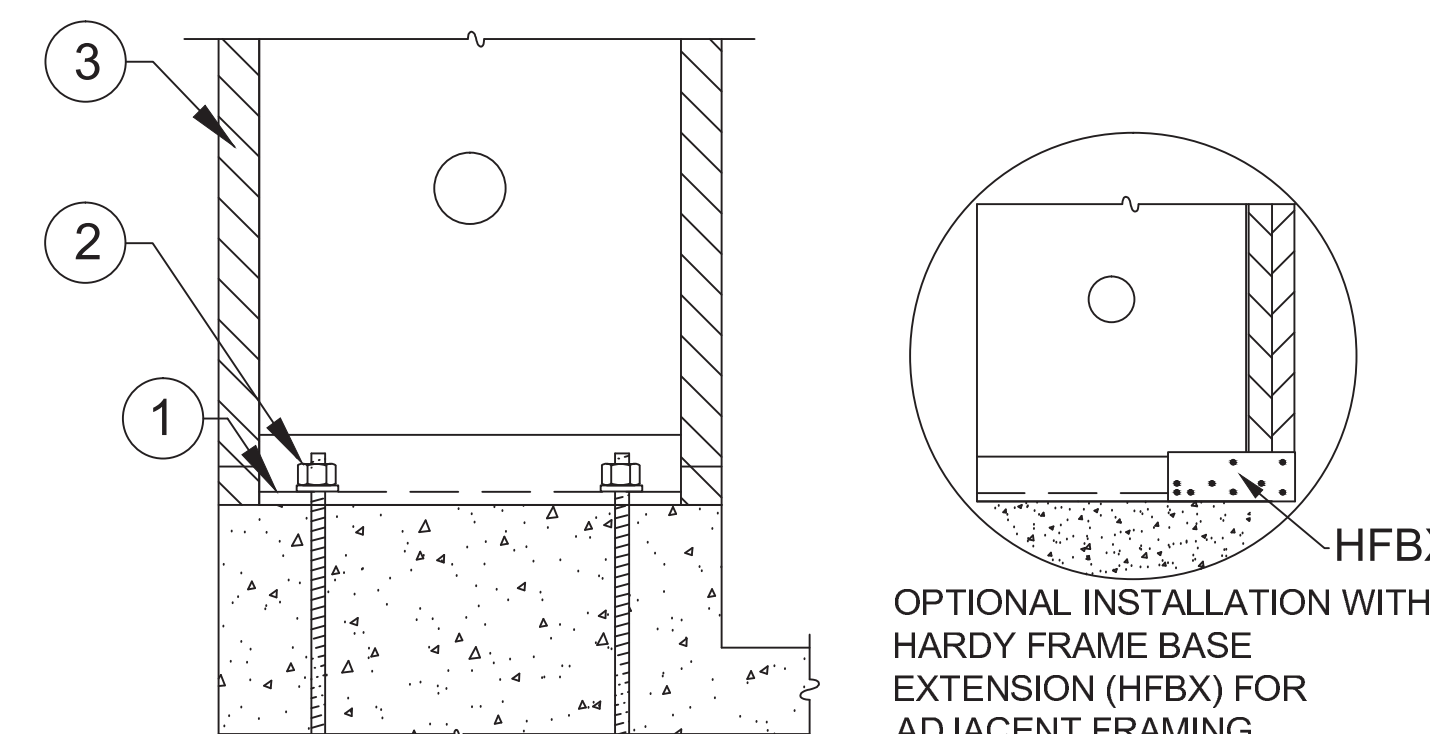
NOTE:
TO PREVENT DRILLING ADDITIONAL HOLES ORIENT THE PANEL CAVITY TOWARD THE FIXTURE BEING INSTALLED.



1. (A) PRE-WELDED STRAPS ARE PROVIDED ON 78" AND 79-1/2" PANEL HEIGHTS. THEY ARE AVAILABLE FOR OTHER HEIGHTS UPON REQUEST. (B) FIELD INSTALLED STRAPS WITH SELF TAPPING SCREWS ARE PERMITTED. THE DESIGN AND CONNECTION IS BY THE DESIGN PROFESSIONAL.
2. A 2x WOOD FILLER WITH 1/4"x4-1/2" (MIN.) WS SCREWS IS PERMITTED.
3. WHEN CRIPPLE STUDS OCCUR, SHEAR TRANSFER DESIGN TO BE PER THE BUILDING DESIGN PROFESSIONAL.
4. A 1" DIA. HOLE MAY BE ADDED IN THE PANEL FACE WHEN IT IS LOCATED IN THE UPPER HALF OF THE PANEL HEIGHT AND IS 4" MINIMUM FROM ANY EDGE. FOR PANELS MORE THAN 12" WIDE, ADDITIONAL HOLES MUST BE OFFSET 1" MINIMUM FROM THE 3" DIA. PREPUNCHED HOLE. FOR HOLES LARGER THAN 1" DIAMETER OR TO ADD MORE THAN ONE HOLE CONTACT MITEK HARDY FRAME TECHNICAL SUPPORT AT (800) 754-3030.

TOP CONNECTION TO HEADER

4



1. 15# FELT OR EQUIVALENT MOISTURE BARRIER RECOMMENDED BETWEEN PANEL BASE AND CONCRETE.
2. NUTS AND WASHERS PER TABLE NOTE 1.
3. ADJACENT FRAMING OPTIONAL U.N.O. BY BUILDING DESIGN PROFESSIONAL.

INSTALLATION ON CURB

9

HFX PANELS 78 IN. THROUGH NOMINAL 13 FEET

Model Number	Net Height (in)	Depth (in)	Hold Down Diameter ¹ (in)	Top Screw Qty ² (ea)	Screw Qty Available at Edges (ea) ³
HFX-12,15,18,21 & 24x78	78	3-1/2	1-1/8	9" Width = 5	4
HFX-9x79.5	79-1/2			12" Width = 6	
HFX-12,15,18,21 & 24x8	92-1/4			15" Width = 8	
HFX-9x8	93-3/4			18" Width = 10	5
HFX-12,15,18,21 & 24x9	104-1/4			21" Width = 12	
HFX-12,15,18,21 & 24x10	116-1/4			24" Width = 14	
HFX-15,18,21 & 24x11	128-1/4			6	
HFX-15,18,21 & 24x12	140-1/4				
HFX-15,18,21 & 24x13	152-1/4				

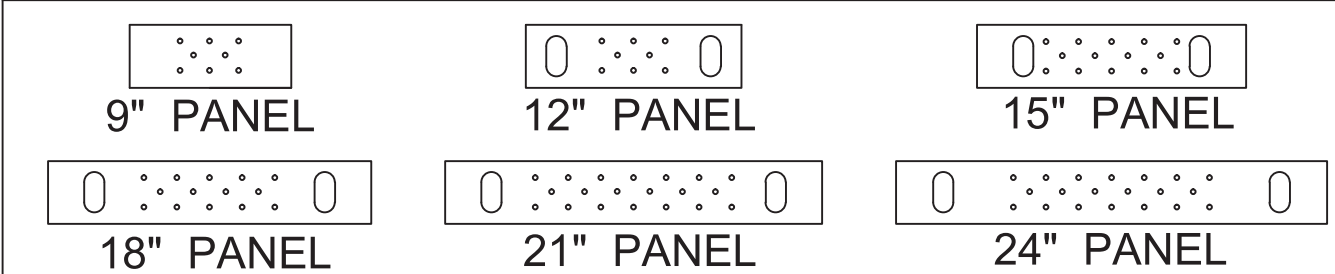
BALLOON PANELS 14 FEET THROUGH 20 FEET

Model Number	Net Height (in)	Depth (in)	Hold Down Diameter ¹ (in)	Top Screw Qty ² (ea)	Screw Qty Available at Edges (ea) ³
HFX-15,18,21 & 24x14	164-1/4	3-1/2	1-1/8	15" Width = 8	6
HFX-15,18,21 & 24x15	176-1/4			18" Width = 10	
HFX-15,18,21 & 24x16	188-1/4			21" Width = 12	
HFX-15,18,21 & 24x17	200-1/4			24" Width = 14	7
HFX-15,18,21 & 24x18	212-1/4				
HFX-15,18,21 & 24x19	224-1/4				
HFX-15,18,21 & 24x20	236-1/4			8	

1. HOLD DOWN ANCHOR BOLTS CONNECT TO THE PANEL BASE WITH HARDENED ROUND WASHERS BELOW GRADE 8 NUTS. ALTERNATE WASHERS ARE (2 EA) ROUND-FLAT OR (2 EA) SAE WASHERS ON EACH BOLT. ALTERNATE NUTS ARE 2H HEAVY HEX.
2. 1/4" DIAMETER MITEK PRO SERIES WS SCREWS. LENGTH IS 3" (MINIMUM) WHEN ATTACHED DIRECTLY TO THE COLLECTOR AND 4-1/2" (MINIMUM) WHEN INSTALLING A 2x FILLER ABOVE THE PANEL.
3. ADJACENT FRAMING WITH 1/4" DIAMETER SCREWS IS REQUIRED AT THE PANEL EDGES WHEN INSTALLING A FILLER ABOVE THE TOP CHANNEL THAT IS GREATER THAN 1-1/2" OR WHEN SPECIFIED BY THE DESIGN PROFESSIONAL.

INSTALLATION INSTRUCTIONS

1. WHEN INSTALLING ON CONCRETE CONNECT WITH (1 EA) HARDENED ROUND WASHER BELOW (1 EA) GRADE 8 NUT. SECURE WITH A DEEP SOCKET (RECOMMENDED) UNTIL SNUG TIGHT. ALTERNATE WASHERS AND NUTS ARE PROVIDED IN TABLE NOTE 1.
2. INSTALLATION ON CONCRETE PROVIDES THE HIGHEST ALLOWABLE VALUES. CONFIRM WITH THE DESIGN PROFESSIONAL BEFORE INSTALLING ON OTHER SUPPORTING SURFACES.
3. USE 1/4"x4-1/2" MITEK PRO SERIES WS SCREWS AT TOP CONNECTIONS WITH A 2x FILLER. IF THE TOP OF PANEL IS IN DIRECT CONTACT WITH THE COLLECTOR ABOVE (TOP PLATES, HEADER, BEAM, ETC.) USE 1/4" x 3" (MINIMUM)
4. FOR INSTALLATIONS WITH A FILLER GREATER THAN 1-1/2" ABOVE, OR WHEN SPECIFIED BY THE DESIGN PROFESSIONAL, ADJACENT KING POSTS TO BRACE THE OUT-OF-PLANE HINGE CAN BE CONNECTED WITH 1/4" DIA. SCREWS THROUGH PRE-PUNCHED HOLES AT THE PANEL EDGES.



9" PANEL

12" PANEL

15" PANEL

18" PANEL

21" PANEL

24" PANEL

9" PANEL

12" PANEL

15" PANEL

18" PANEL

21" PANEL

24" PANEL

9" PANEL

12" PANEL

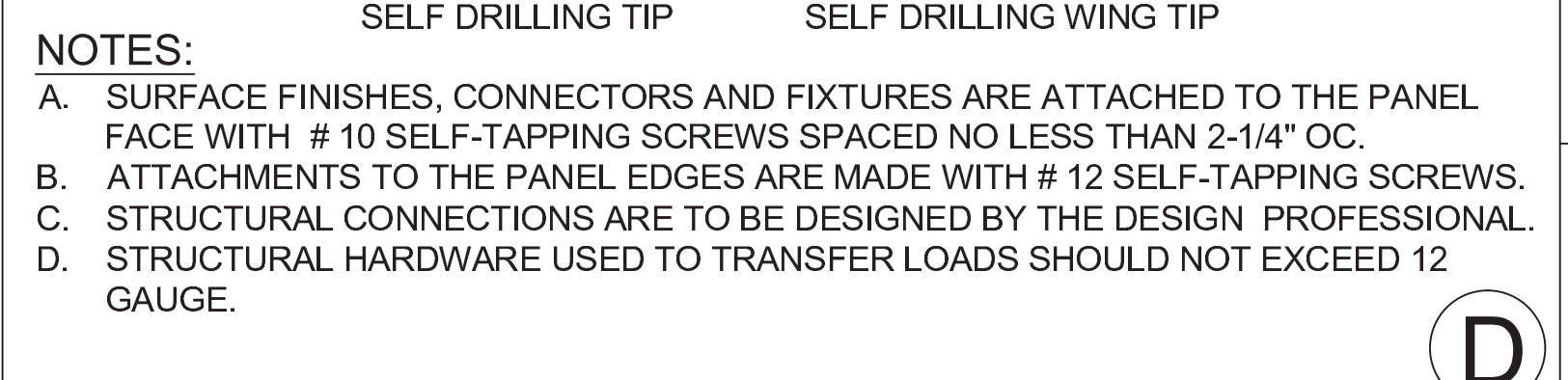
15" PANEL

18" PANEL

21" PANEL

24" PANEL

9" PANEL



- NOTES:
- SURFACE FINISHES, CONNECTORS AND FIXTURES ARE ATTACHED TO THE PANEL FACE WITH #10 SELF-TAPPING SCREWS SPACED NO LESS THAN 2-1/4" OC.
 - ATTACHMENTS TO THE PANEL EDGES ARE MADE WITH #12 SELF-TAPPING SCREWS.
 - STRUCTURAL CONNECTIONS ARE TO BE DESIGNED BY THE DESIGN PROFESSIONAL.
 - STRUCTURAL HARDWARE USED TO TRANSFER LOADS SHOULD NOT EXCEED 12 GAUGE.

REVISIONS DATE

FRAMING DETAILS - HFX PANELS

THIS DETAIL SHEET IS NOT PROPRIETARY AND IS NOT REQUIRED FOR PLAN SUBMITTAL WITH MITEK HARDY FRAME PRODUCTS

HARDY FRAME
SHEAR WALL SYSTEM

1732 PALMA DRIVE, SUITE 200, VENTURA, CA 93003
TELEPHONE: 800 754-3030 / www.hardyframe.com

Mitek

DATE:
1-1-2018

HFX2