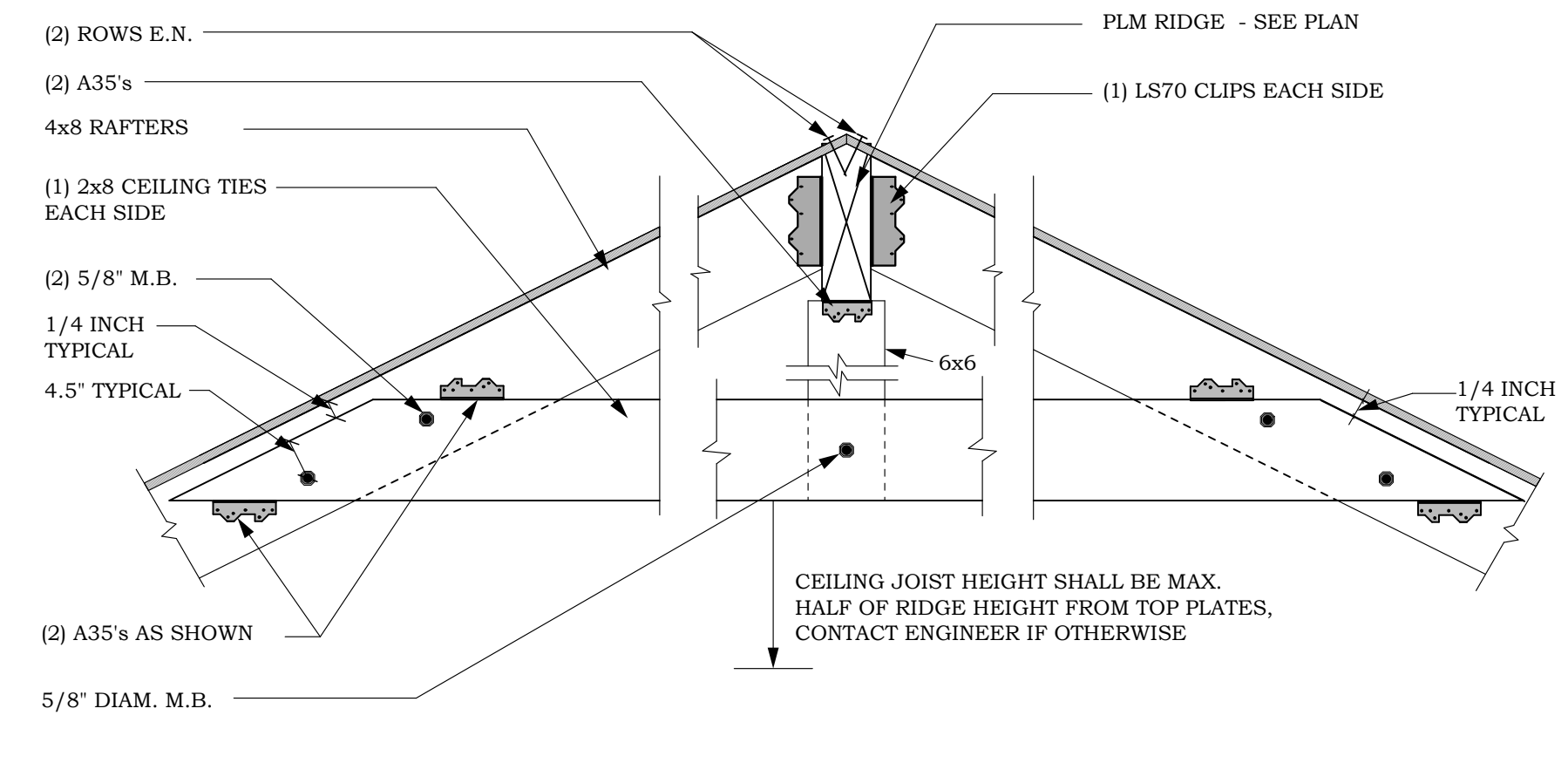
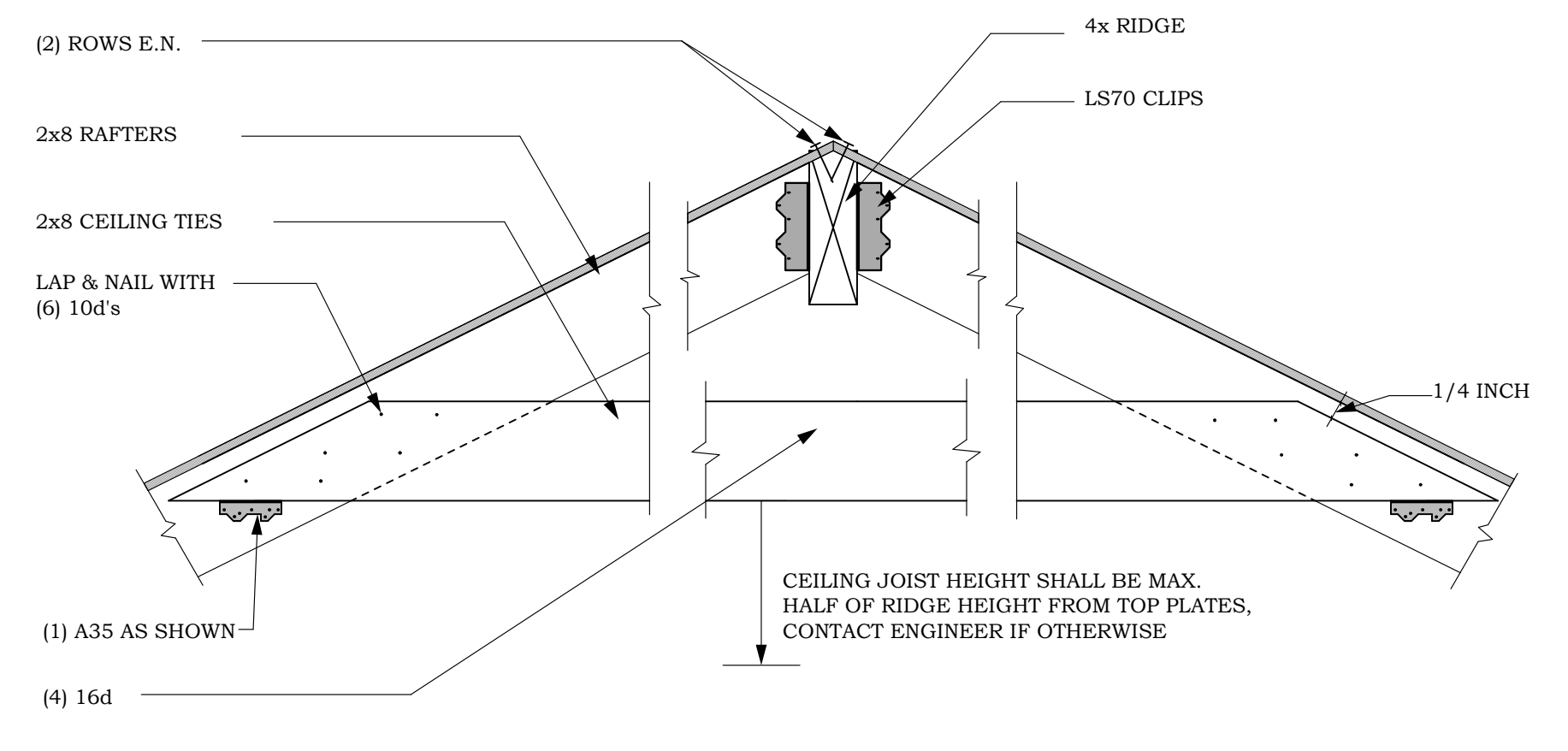


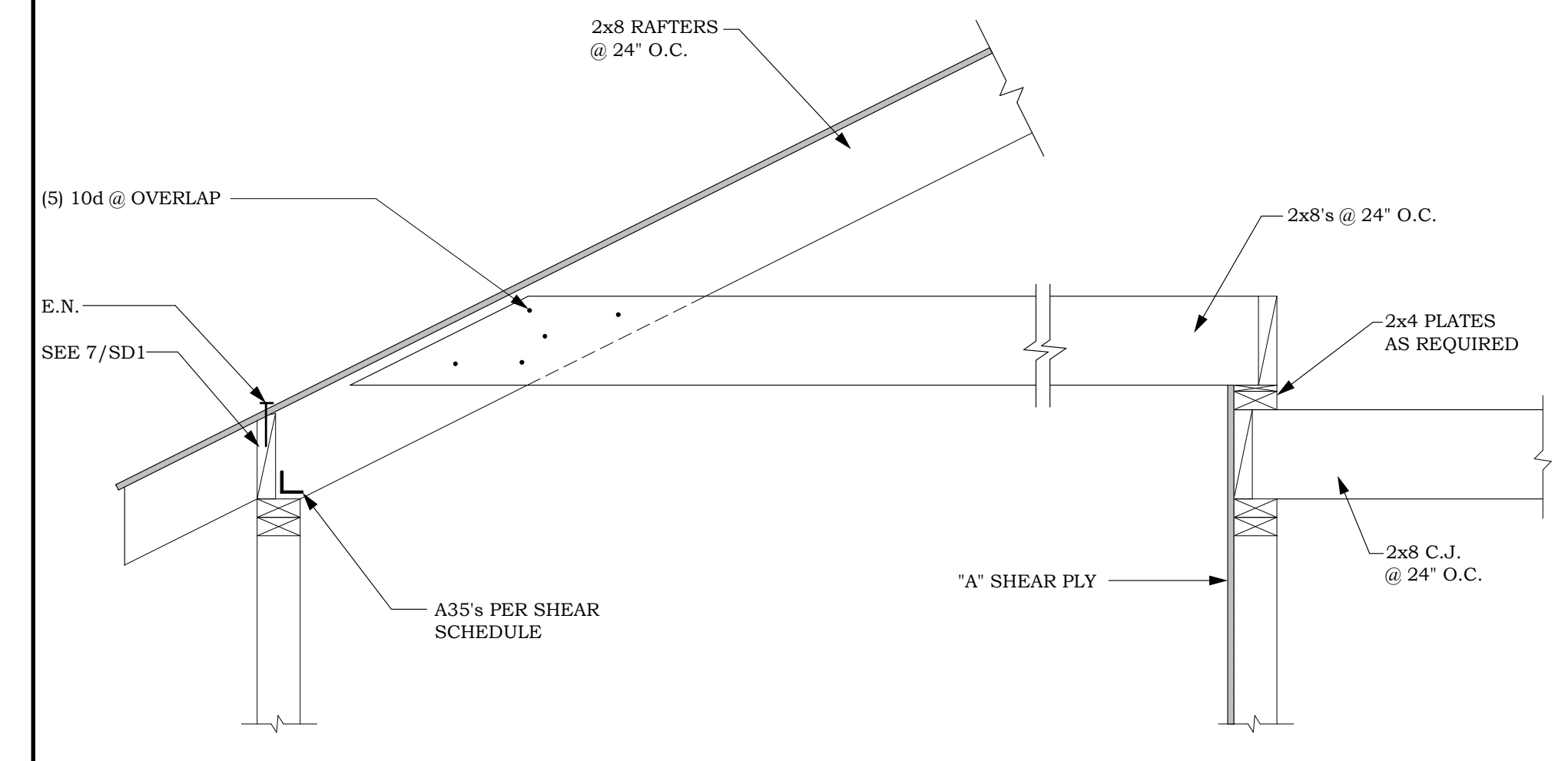
1 NEW FOOTING AT STAIRS



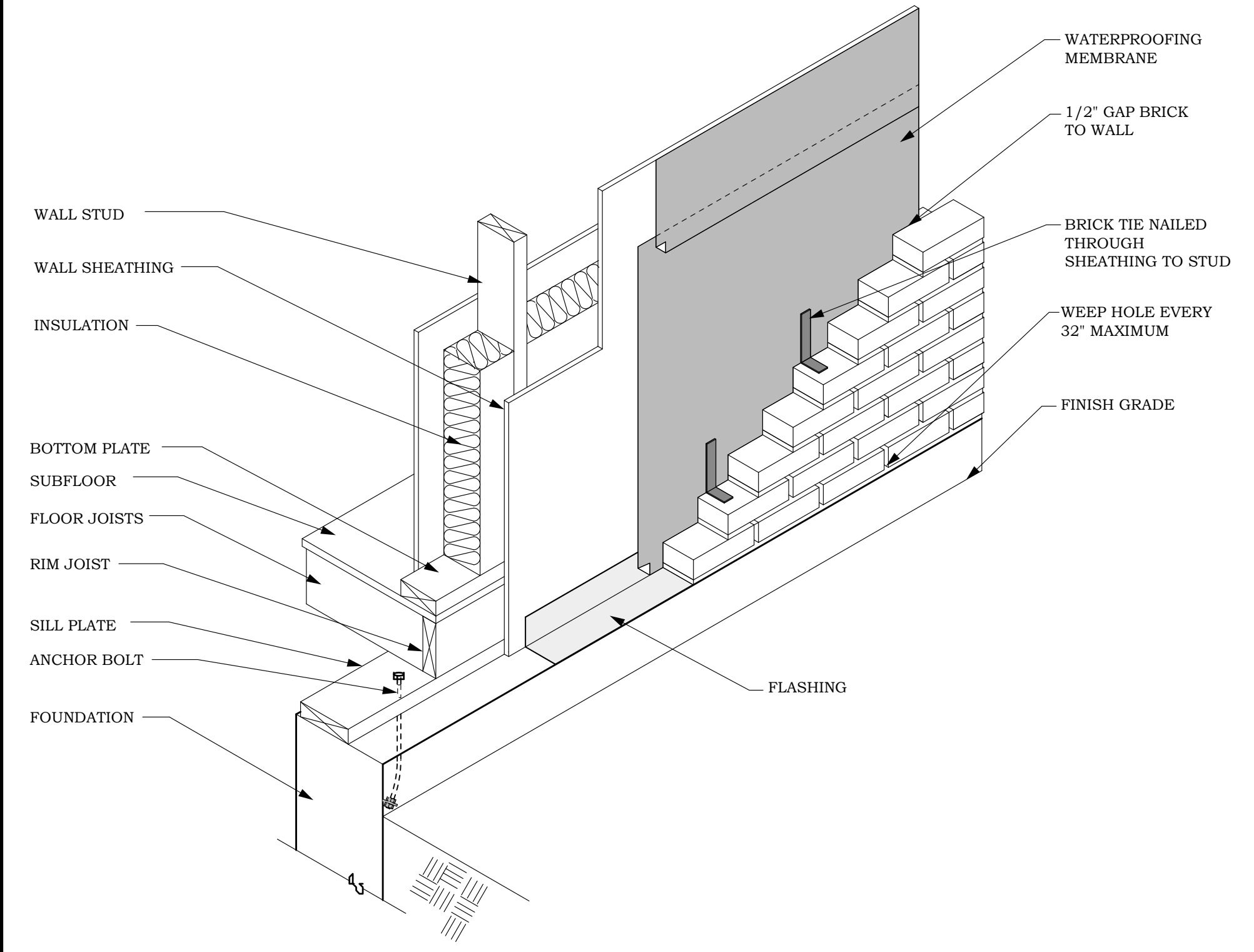
2 END TRUSS



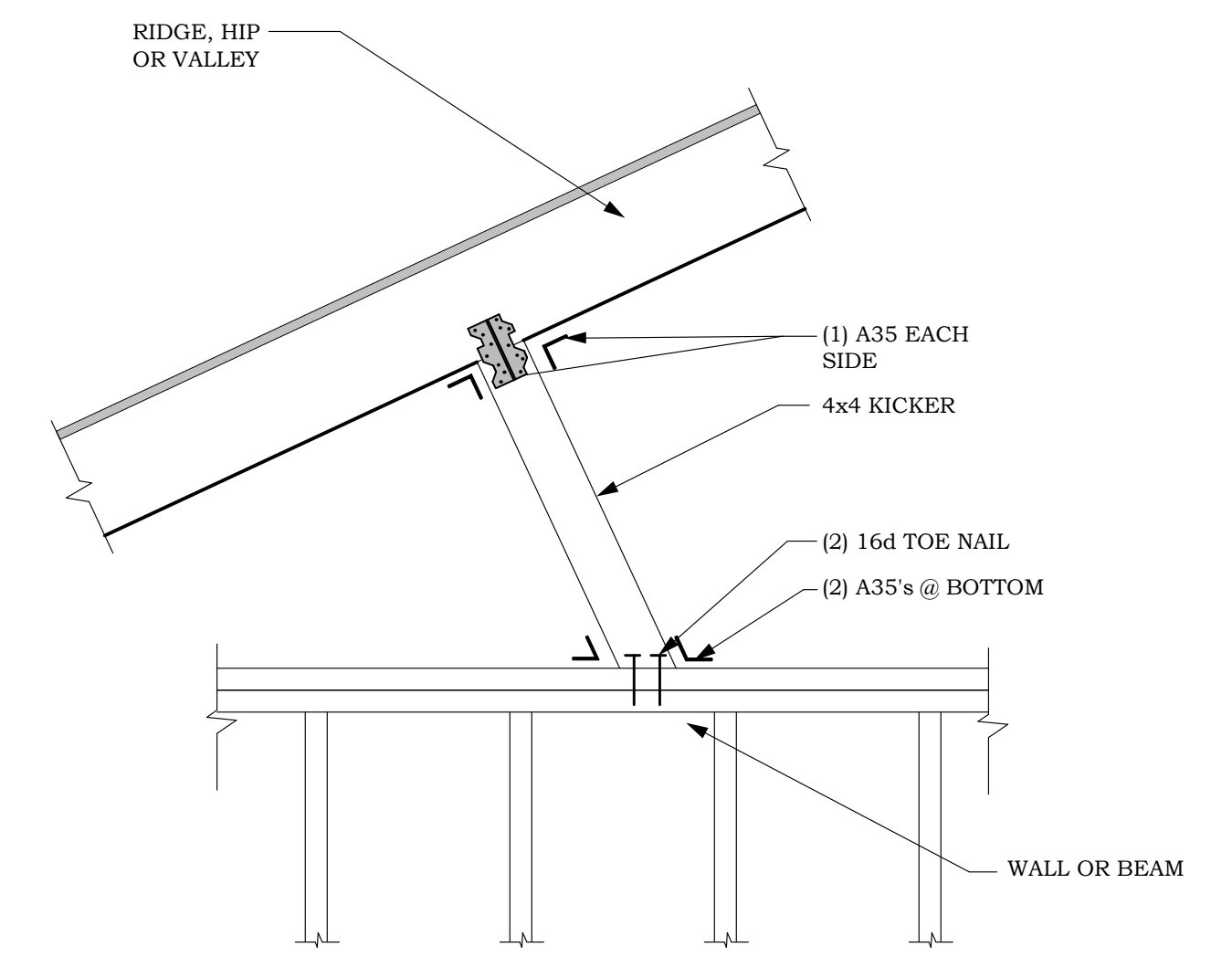
3 TYPICAL TRUSS



4 COFFERED CEILING



NEW DETAIL
5 BRICK WALL DETAIL



NEW DETAIL
6 KICKER